

SCALA2

Approved for
Drinking Water
AS/NZS 4020

2
YEAR
WARRANTY

ALL-IN-ONE, SELF-PRIMING BOOSTER
WITH INVERTER TECHNOLOGY

WATER SOURCE



Above
Pump Level

Below
Pump Level

Mains
Water

APPLICATION



Household
Water

Irrigation

Mains
Boosting



SCAN THE QR CODE
TO LINK TO GRUNDFOS
PRODUCT CENTER

The Grundfos SCALA2 is an intelligent, self-priming pump with inverter technology that adjusts its performance according to household water demand, eliminating pressure fluctuations and resulting in lower running costs.

- **Perfect pressure to all taps** - Inverter technology (variable speed) adjusts motor speed according to demand to deliver perfect pressure to all taps
- **For water sources below pump level** - Designed with good suction lift capabilities, the SCALA2 is able to draw water up to 8 metres vertically below the level of the pump
- **Whisper quiet operation** - Super quiet operation that won't disturb your family or neighbours
- **All-in-one construction** - Tough, weather resistant outer casing houses the pump, motor and the controller
- **Easy installation – plug & pump** - Simply connect the pump inlet and outlet to the pipework, prime the pump, plug into a power outlet and you're ready to pump
- **One-touch pressure adjustment** - The intuitive and intelligent control panel allows for simple adjustment of the pressure to the taps



PUMP NOISE

SCALA2	CM Booster Self-Priming	CME Booster	Jet Pump Range
47 dB Max.	55 dB Max.	55 dB Max.	70 dB

PUMP SIZING

High pressure for double storey dwellings and long runs of pipe	SCALA2 3-4S	
Adequate pressure for most single storey dwellings	Small House 2-3 taps	Medium House 3-4 taps

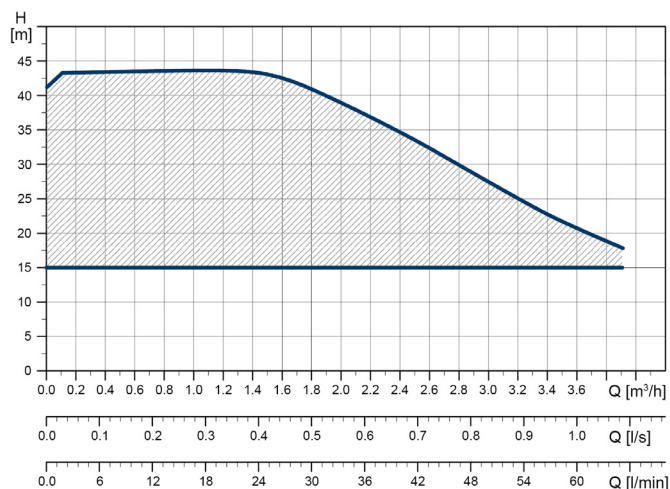
Taps are 15 l/min at 22.5 m head

PROTECTION & CONTROL

	SCALA2
Auto Start/Stop	✓
Non-Return Valve	✓
Dry Run Protection	✓
Anti-Cycling Protection	✓
Alarm Indication LED	✓
Temperature LED	✓

TECHNICAL & PERFORMANCE DATA

PERFORMANCE CURVE



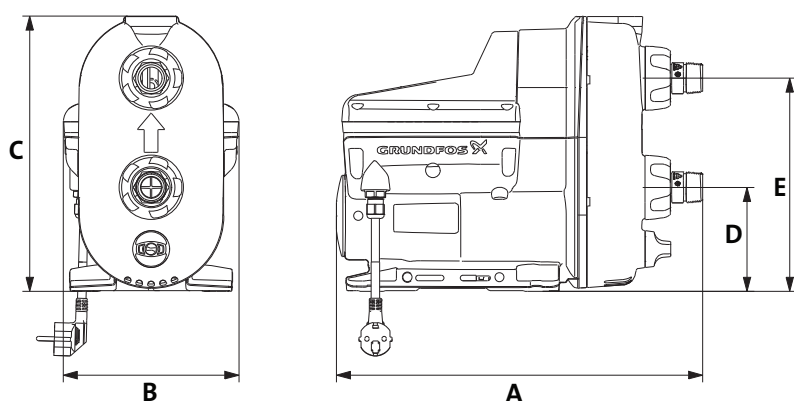
OPERATING CONDITIONS

Ambient Temperature	0°C to +55°C
Liquid Temperature	0°C to +45°C
System Pressure	Max. 4 bar
Sound Pressure	Max. 47 dB

TECHNICAL DATA

Power Supply Voltage	200-240 Volt, 50 Hz
Power Supply Cable	2 m with plug
Enclosure Class	Suitable for outdoor installation (IPX4D)
Approvals and Markings	Approved for Drinking Water AS/NZS 4020 C-Tick Compliance

PHYSICAL ATTRIBUTES



Model	Motor Power P2 (kW)	Connections		Dimensions (mm)					Weight (kg)
		Inlet	Outlet	A (l)	B (w)	C (h)	D (inlet)	E (outlet)	
SCALA2	0.55	1" Male	1" Male	403	193	302	114	234	10