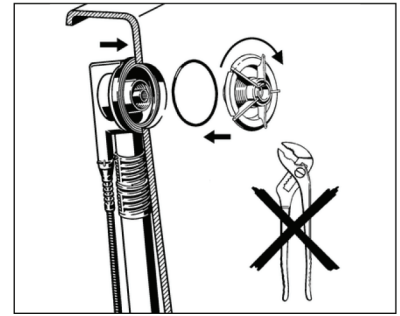
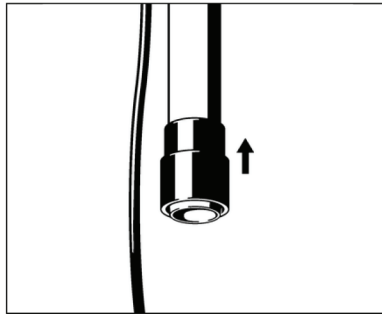
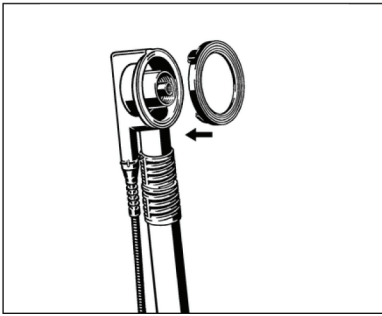


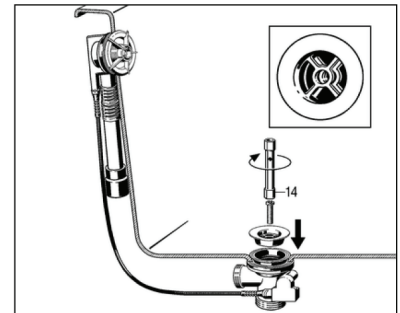
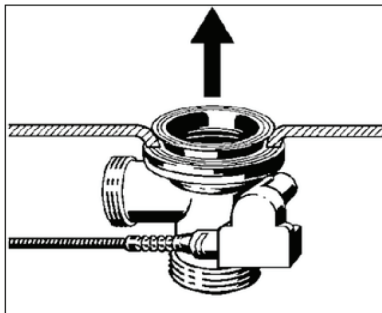
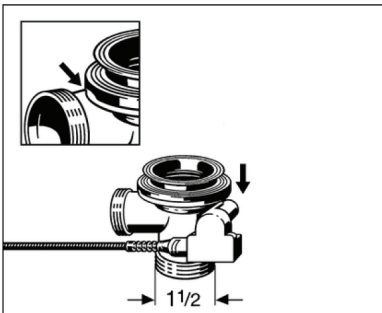
PURO WITH END OVERFLOW BATH

OVERFLOW INSTALLATION INSTRUCTIONS

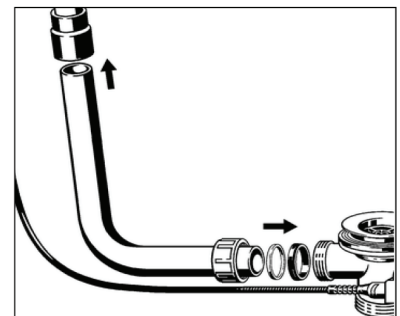
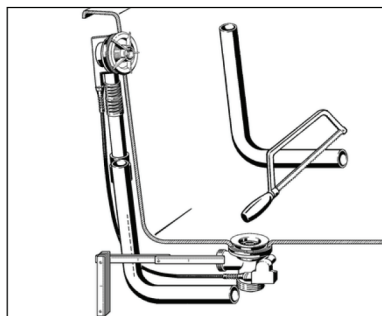
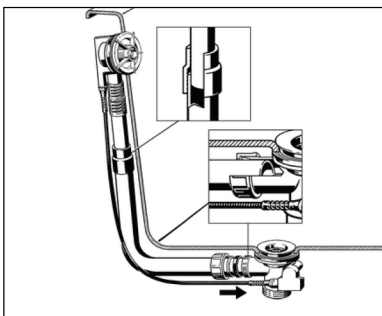
MOUNTING OVERFLOW



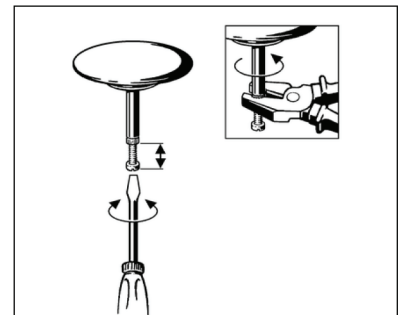
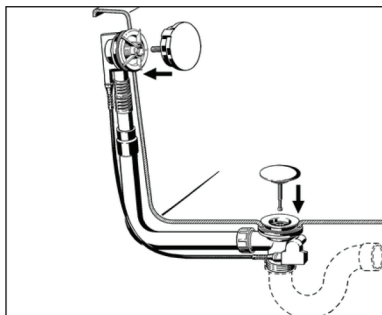
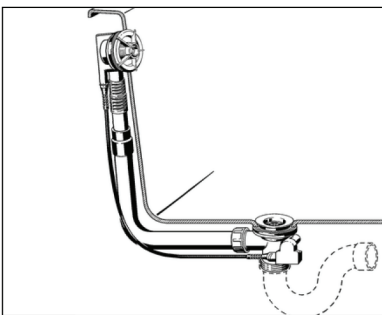
MOUNTING THE DRAIN



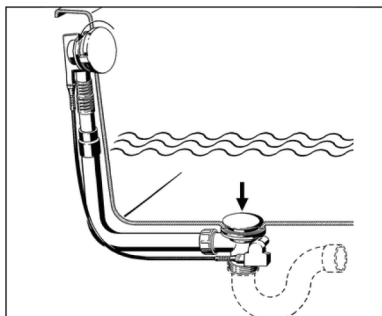
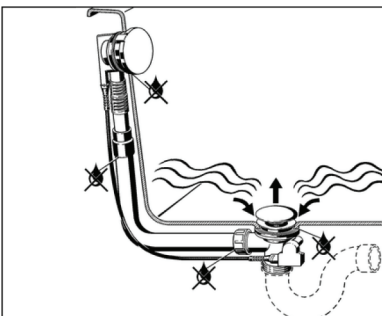
CONNECTING OVERFLOW and DRAIN



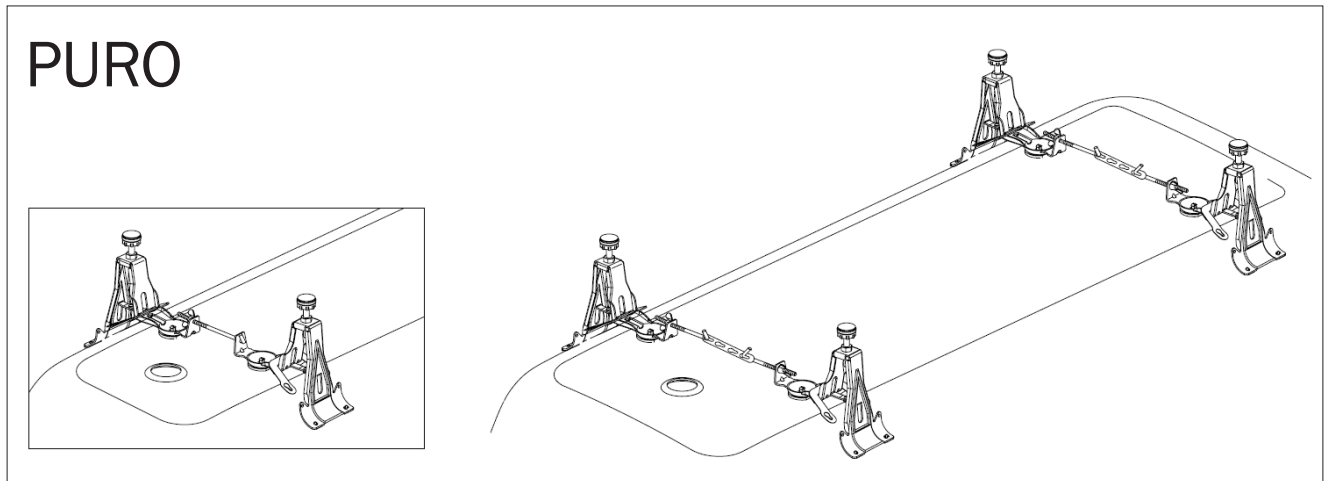
CONNECTING the WASTE WATER SYSTEM and MOUNTING EQUIPMENT SET



LEAKAGE TEST and CONTROL



KALDEWEI
PURO WITH END OVERFLOW BATH
 LEG SYSTEM INSTALLATION INSTRUCTIONS



1. Place the bath with its packing upside down.

2. Slot the arm straps of the bath cradle (b) onto the lugs (a) on the base of the bath.

3. Push a suitable length of the tensioning belt onto the retaining bolt (a), engage the threaded hook (c) and tighten by hand using the nut on the base.

4. Turn over bath, align with the help of a spirit level by turning the screw and tighten the locknut (d).

Baths might also be mounted with bath anchors (not included in the scope of delivery).

Plumbers, please ensure a copy of the installation instructions is left with the end user for future reference