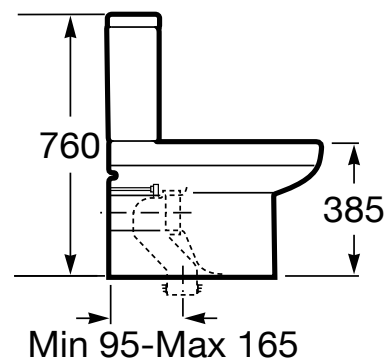
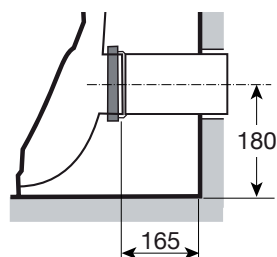
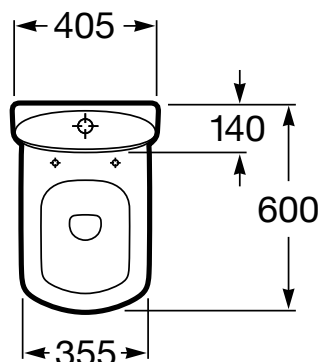


ROCA

DAMA SENSO COMPACT

BACK TO WALL TOILET SUITE BOTTOM INLET



Dimensions are nominal measurements only

SPECIFICATIONS

Recommended Use	Domestic, hotel and commercial
Rim Configuration	Box Rim
Bowl Configuration	P Trap (Converts to S using plastic S-bend provided)
Set Out	P Trap: 180mm, S Trap: 95mm-165mm
Pan Fixing	Screwed to the floor using brackets (supplied) and bedded with sealant
Cistern Fixing	Top-fix cistern bolted directly to the bowl
Seat	Matching top-fix, soft-close seat supplied with suite
Water Inlet	Bottom Inlet, right hand side (reversible)
Inlet Valve	Recommended max. working pressure 1000kPa
Weight	Pan: 26.7kg, Cistern: 14.4kg



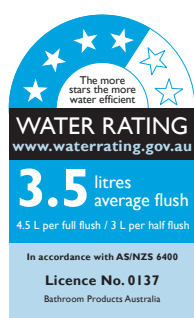
To see the complete ROCA range go to www.reece.com.au/bathrooms

CLEANING RECOMMENDATIONS

We recommend the use of soapy water or approved cleaners.

This product should not be cleaned with abrasive materials.

Damage caused by any improper treatment is not covered by the product warranty. Refer to Warranty Conditions.



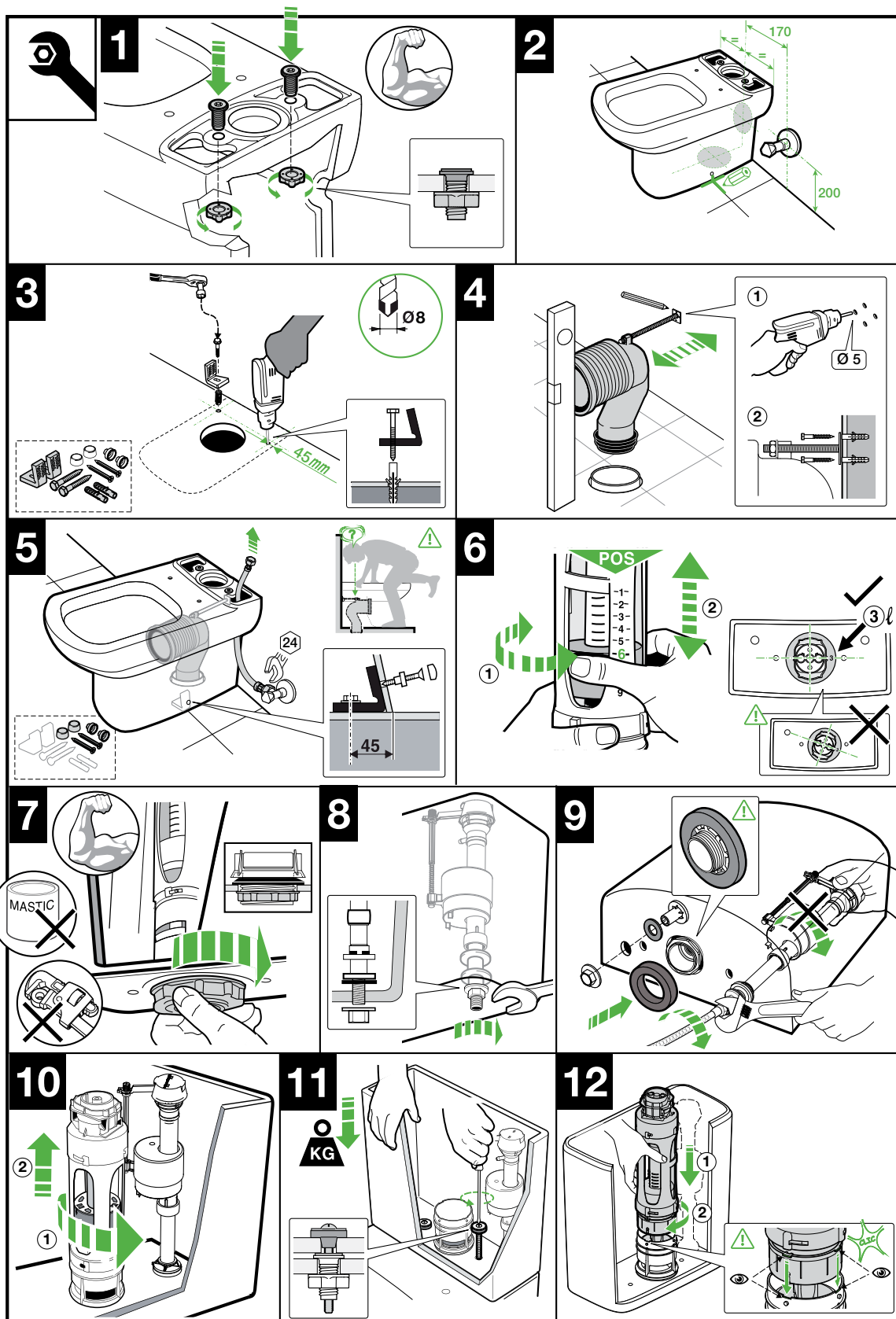
Disclaimer: Products in this specification manual must by regulation be installed by licensed and registered trade people. The manufacturer/distributor reserves the right to vary specifications or delete models from their range without prior notification. Dimensions are nominal measurements only. Dimensions and set-outs listed are correct at time of publication however the manufacturer/distributor takes no responsibility for printing errors.

Tech Page Version 3



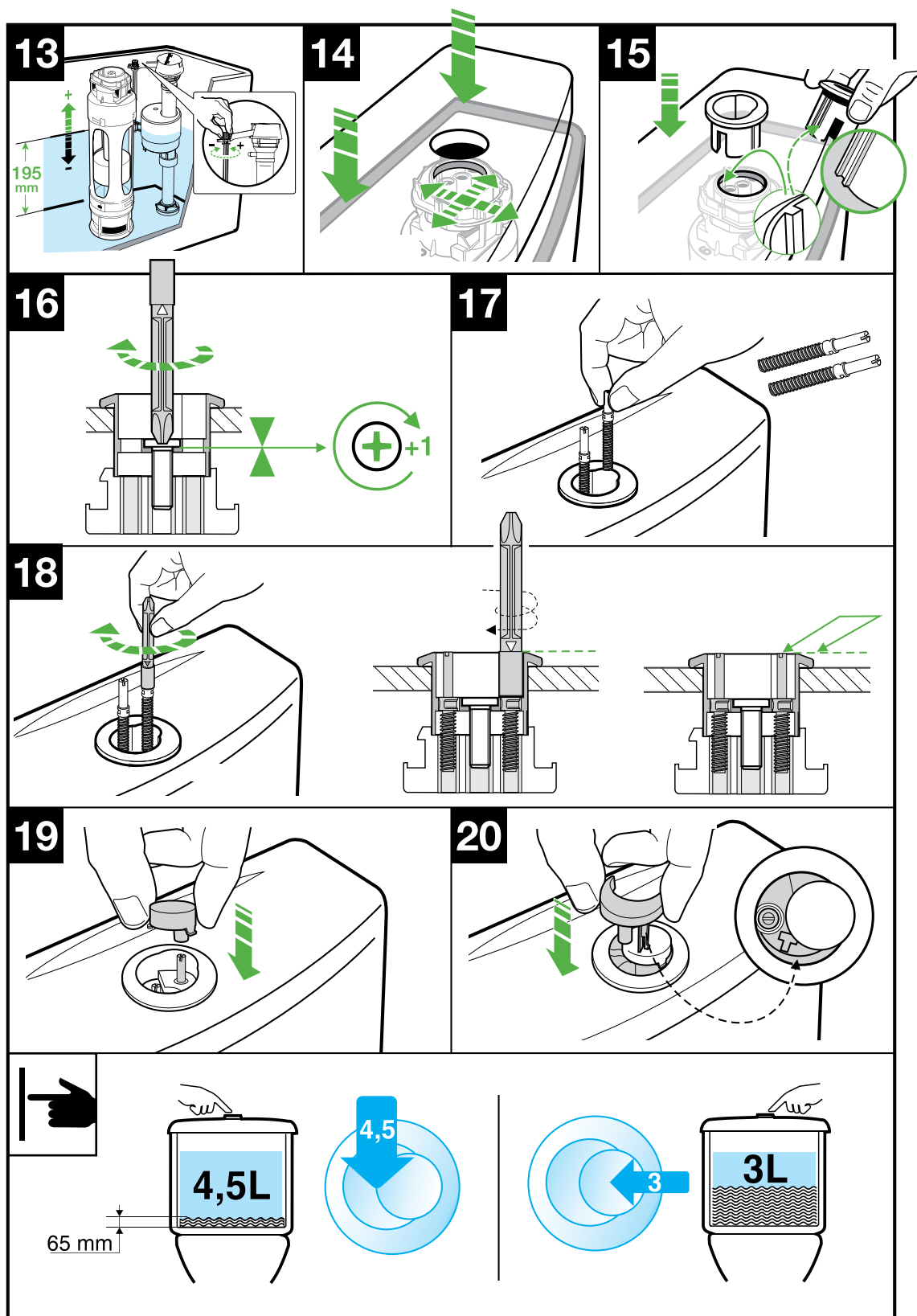
ROCA DAMA SENSO COMPACT BACK TO WALL TOILET SUITE BOTTOM INLET

INSTALLATION



ROCA DAMA SENSO COMPACT BACK TO WALL TOILET SUITE BOTTOM INLET

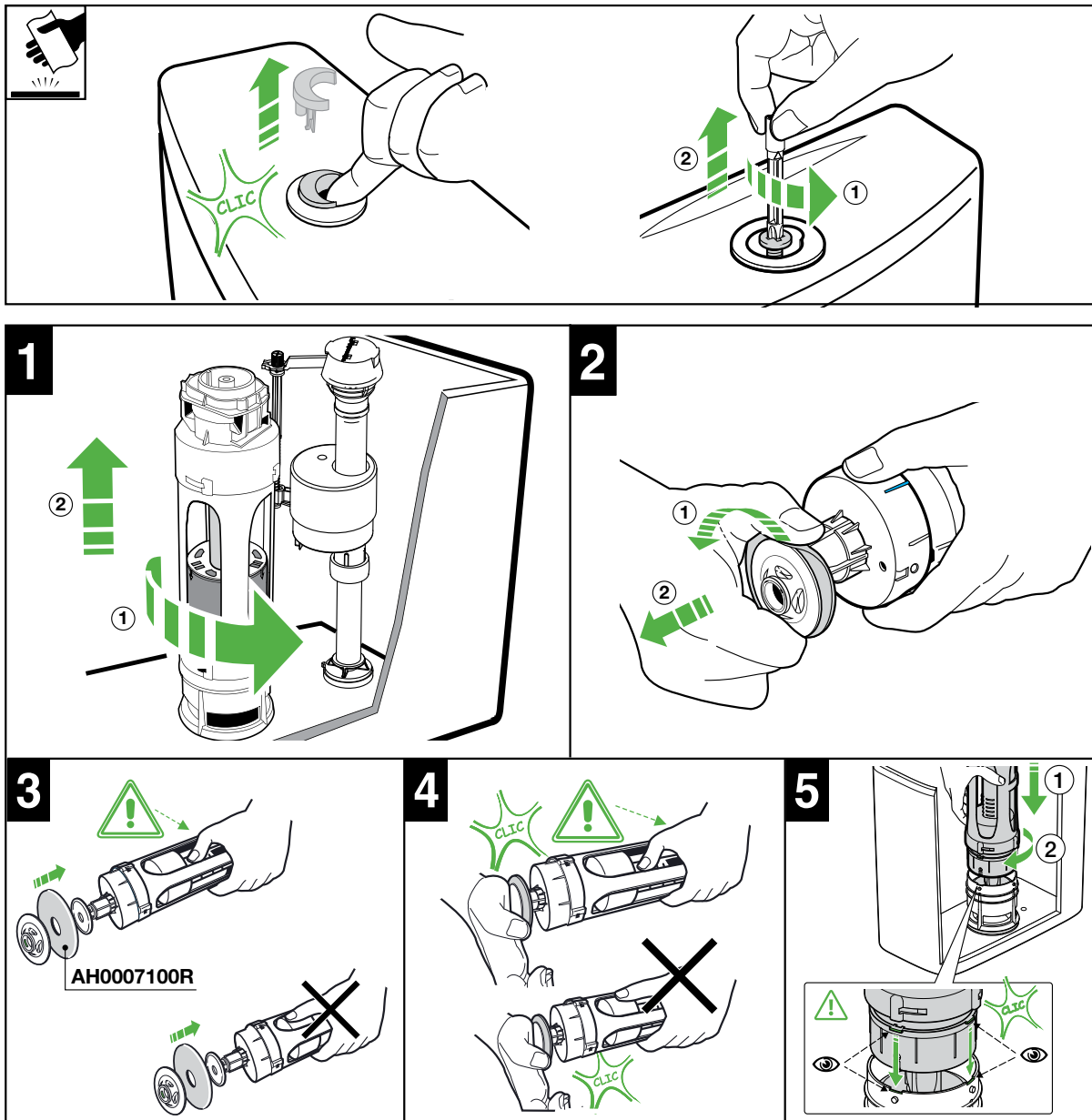
INSTALLATION



ROCA

DAMA SENSO COMPACT BACK TO WALL TOILET SUITE BOTTOM INLET

MAINTENANCE

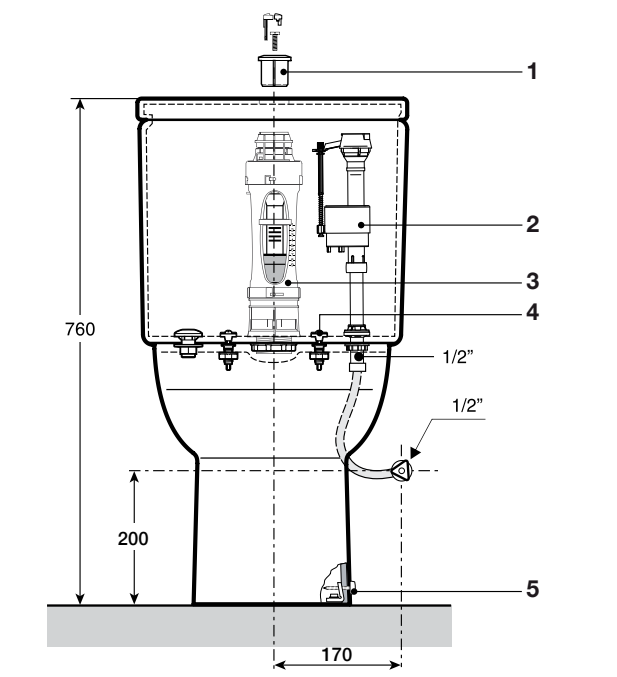


Plumbers, please ensure a copy of the installation instructions is left with the end user for future reference

ROCA

DAMA SENSO COMPACT BACK TO WALL TOILET SUITE BOTTOM INLET

PARTS



1 - AH0001800R Push Button Assembly

2 - A822062000 **W** Inlet Valve

3 - AH0000100R Outlet Valve

4 - AV0028800R Cistern Top Fixing Kit



5 - AV0009400R Pan Fixing Kit

