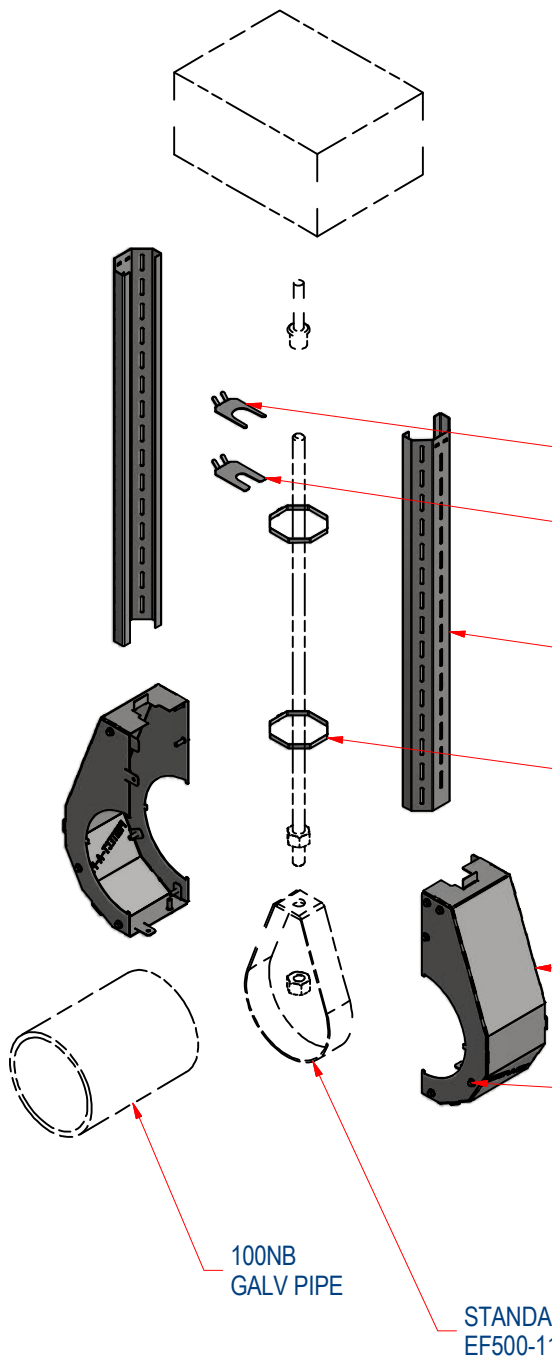
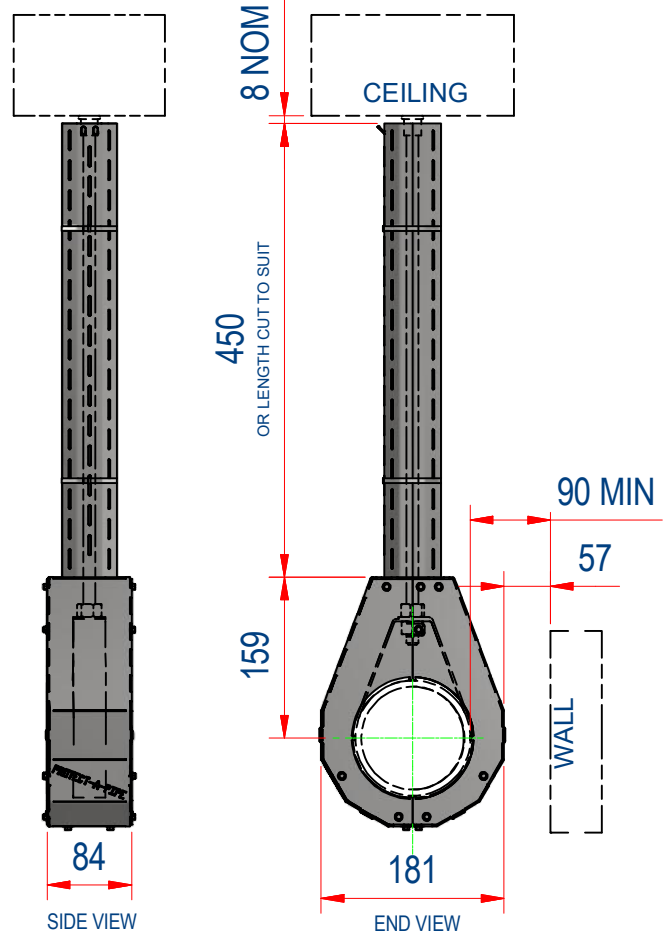


**SPECIFICATION - 100NB PEAR
BAND MOULD_450HT**



COMPLETE ASSY NUMBER

PRODUCT CODE 506824



COMPLETE ASSY

- PN: VC20**
1 OFF
- PN: ARC12**
1 OFF
- PN: 450HT**
2 OFF
ALWAYS SUPPLIED
PRE FOLDED
- SS CABLE TIE**
2 OFF
- PN: P100FE**
2 OFF
SUPPLIED AS FLAT PAK
OR PRE ASSEMBLED
(REFER TO OPTION ON
ORDER SHEET)
- SS SCREWS**
20 OFF
SUPPLIED WITH FLAT PAK

100NB
GALV PIPE

STANDARD PEAR BAND
EF500-115

NOTE:
"CAFCO 300" REQD