

Base Vanity Basin 560 x 480mm

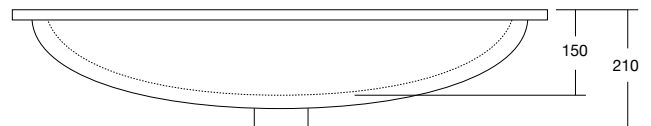
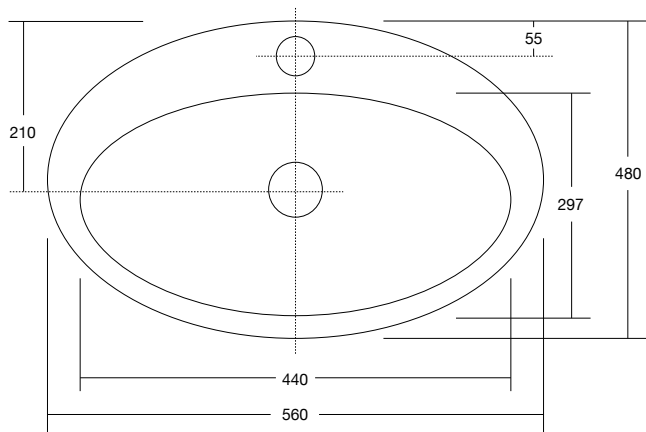
INSTALLATION INSTRUCTIONS

Note:

If wall mounted tapware is to be used, consideration should be made to length of outlet and positioning of the basin on bench top.

If tapware is to be bench mounted allow suitable top width for fitting tapware.

1. Position supplied cut out template onto the benchtop and mark off.
2. Cut hole into benchtop to template size.
3. Fit selected tapware and waste to basin. Ensure waste is siliconed around the rim.
4. Apply waterproof sealant (not supplied) to the rim of the basin and to the bench top.
5. Fit basin onto the bench top and press firmly all around to achieve good seal.
6. Remove surplus sealant.



Dimensions same for 1 & 3 Taphole.

Please ensure a copy of the installation instructions is left with the end user for future reference.

Dimensions are nominal measurements only.

Disclaimer: Products in this specification manual must by regulation be installed by licensed and registered trade people. The manufacturer/distributor reserves the right to vary specifications or delete models from their range without prior notification. Dimensions are nominal measurements only. Dimensions and set-outs listed are correct at time of publication however the manufacturer/distributor takes no responsibility for printing errors.

Published 02/07/2020