

ESSENCE NEW
WALL BASIN MIXER TRIMSET 230MM
MODEL #19967A01

Pure Freude
an Wasser

GROHE

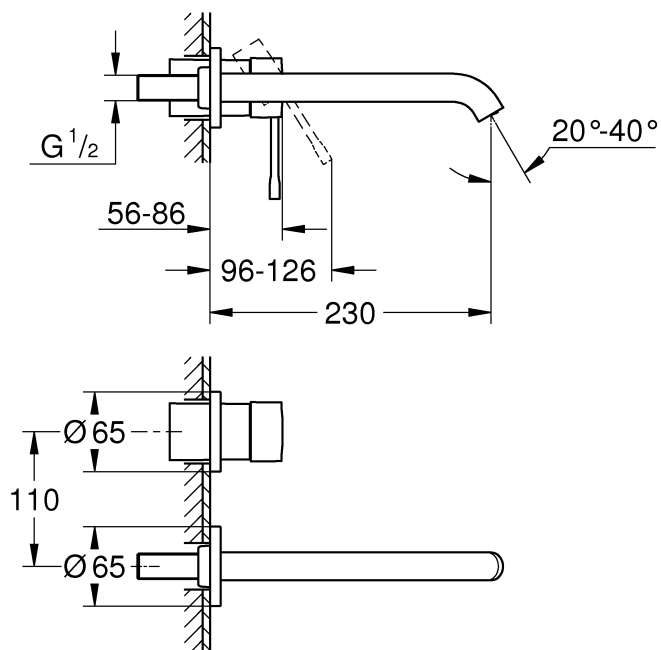
Product Specifications



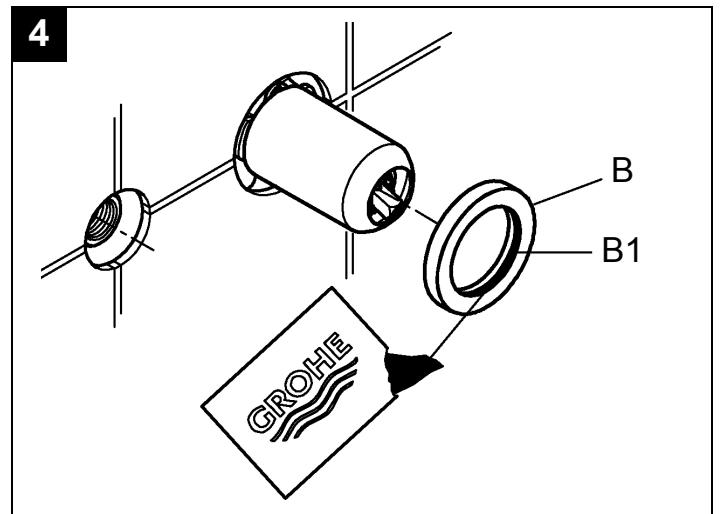
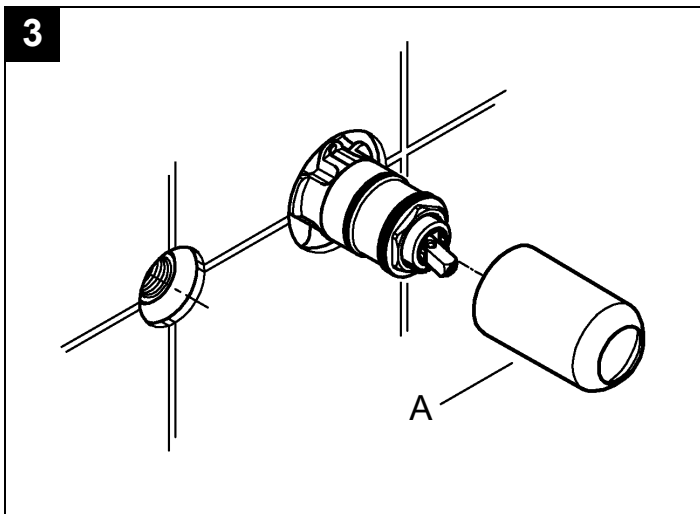
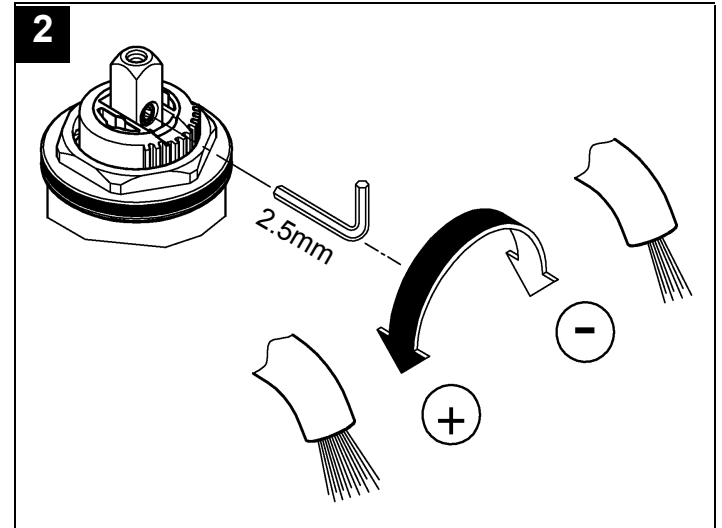
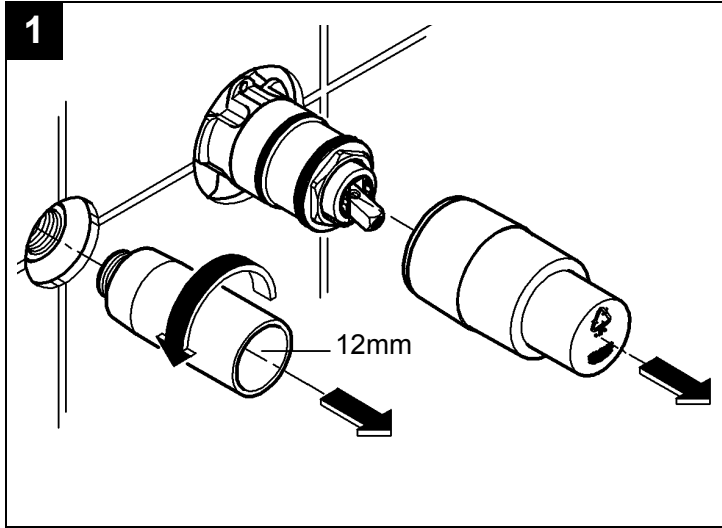
Product Description:

Essence New

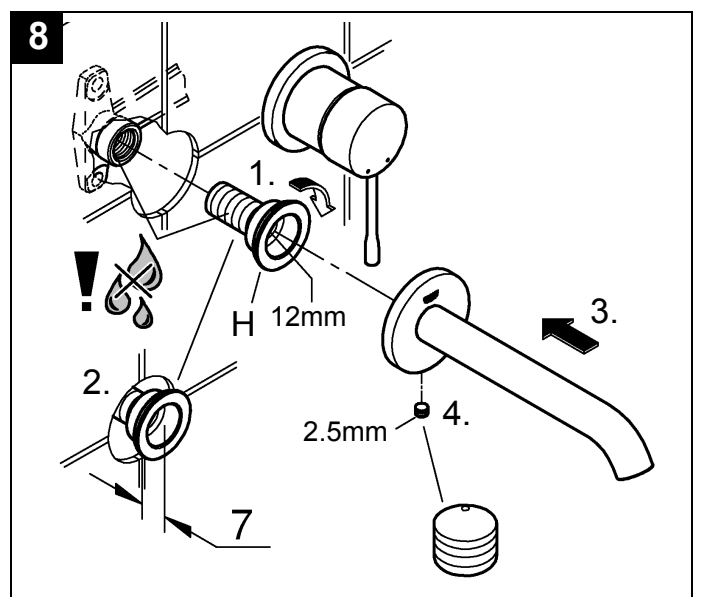
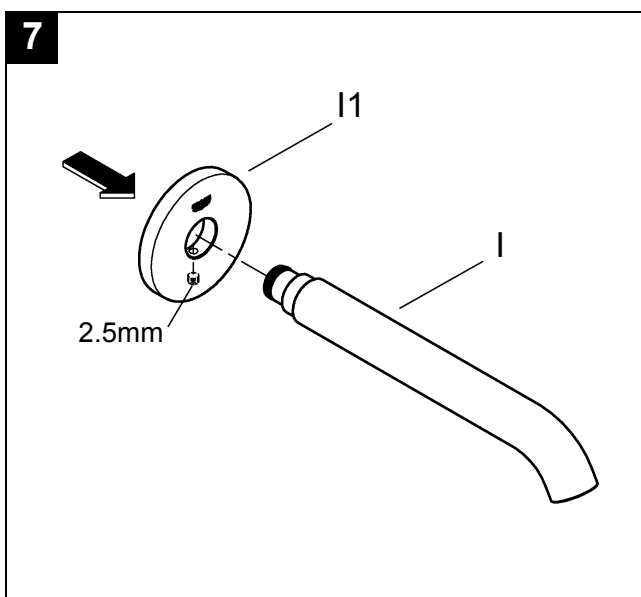
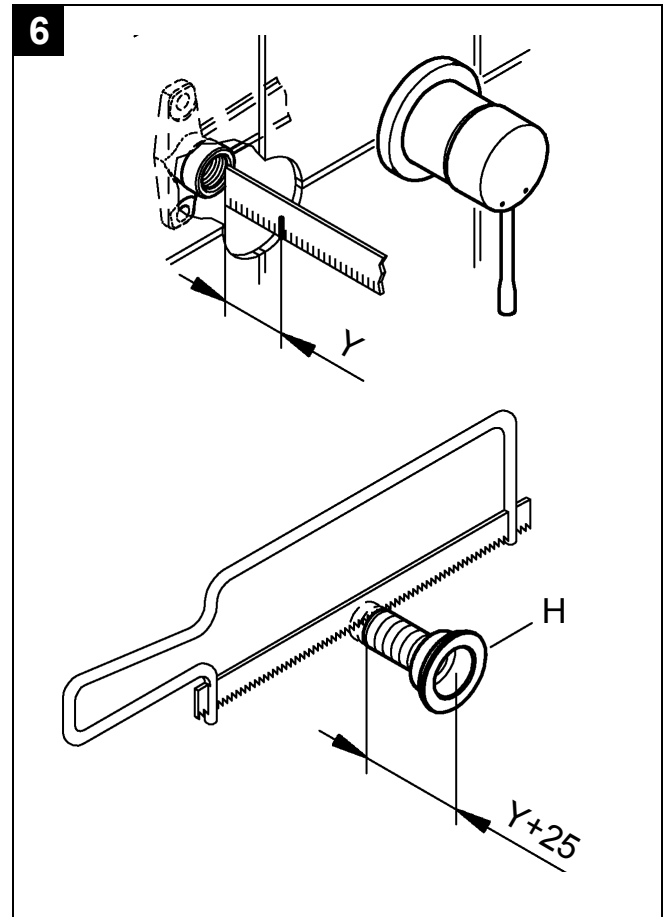
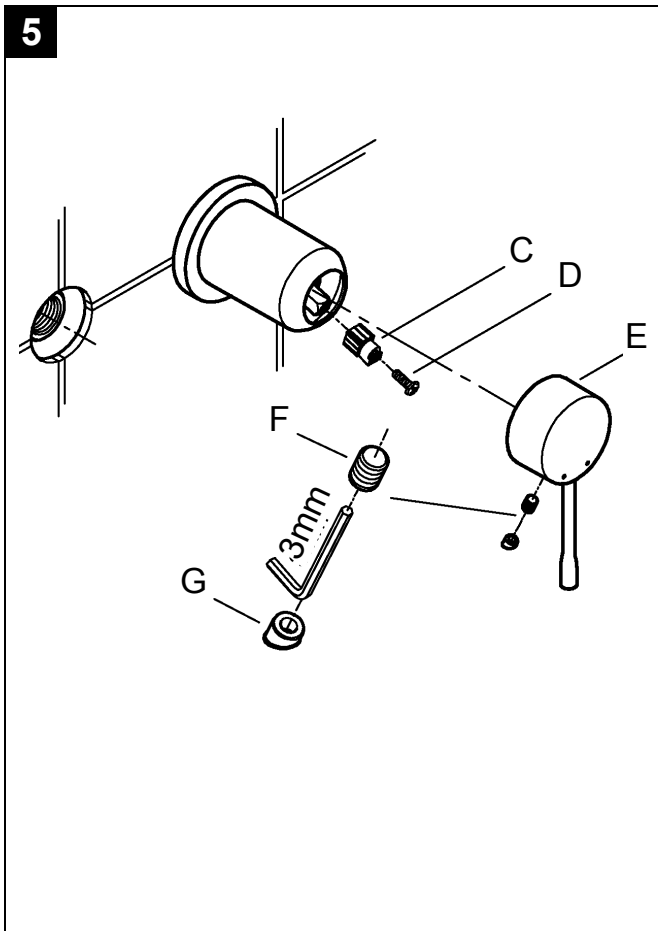
Two-hole wall basin mixer trimset
M-Size
wall mounted
set for final installation for 32635000
without concealed body
metal escutcheon
metal lever
GROHE StarLight hard graphite finish
GROHE EcoJoy mousseur 5.7 l/min
GROHE AquaGuide adjustable mousseur
center distance 110 mm
projection 230mm
min. recommended pressure 100 kPa



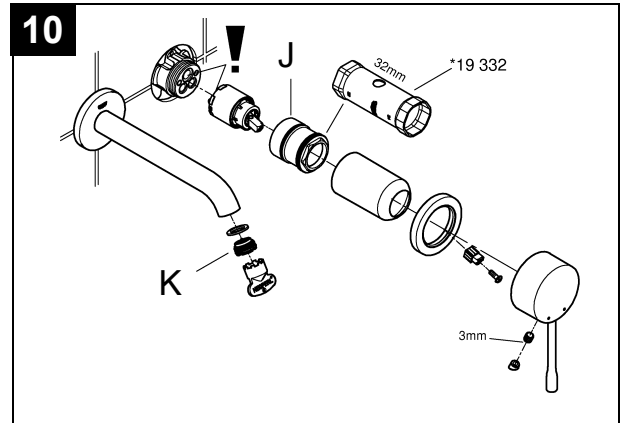
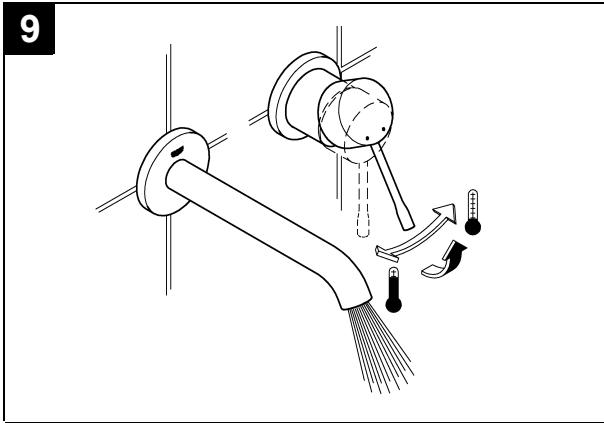
Installation instructions



Installation instructions



Installation instructions



Installation Instructions

Flush piping system prior and after installation of fitting thoroughly!

Installation and connection, see Figs [1] to [10]. Refer to the dimensional drawing above. For installation with 32635000 concealed in-wall body. **PLEASE NOTE** face of noggins need to be positioned a minimum of 45mm & a maximum of 75mm from where the finished wall surface will end up when installing inwall concealed body 32635000.

Installation

Shut off hot and cold water supply.

- I. Install escutcheon and lever, see Figs. [3], [4] and [5].
 1. Attach cap (A), see Fig. [3].
 2. Grease seal (B1) and push on escutcheon (B), see Fig. [4].
 3. Attach insulating insert (C) and secure with screw (D), see Fig. [5].
 4. Attach lever (E), secure by tightening the loosely fitted set screw (F) using a 3mm allen key and insert plug (G). If the escutcheon will not slide far enough onto the cap, you must additionally install an extension (see replacement parts fold-out page I, Prod. no.: 46 627 = 25mm).

- II. Install spout, see Figs. [6], [7] and [8].
 1. Determine dimension "Y" from the leading edge of built-in fitting housing to face of tiles, see Fig. [6].
 2. Cut connection nipple (H) so that the installation dimension is "Y" + 25mm.
 3. Fasten spout (I) to escutcheon (I1) using a 2,5mm allen key, see Fig. [7].
 4. Using an 12mm allen key, screw connection nipple (H) into the built-in fitting housing until the installation dimension is 7mm. Tighten spout (I) from below using an 2,5mm allen key, see Fig. [8].

Specifications:

- Flow pressure min. 50 kPa - recommended 100 - 500 kPa
 - Operating pressure max. 1000 kPa
 - Test pressure 1600 kPa
- If static pressure is greater than 500 kPa, fit pressure reducer. Avoid major pressure differences between cold and hot water supply.
- Recommended maximum static pressure test time 30 minutes.
 - **Temperature**
Hot water inlet: (maximum) 80 °C
Recommended: (energy saving) 60 °
 - Water connection cold - right
hot - from below

Note:

When installing concealed mixer body, please note it must be mounted onto timber or solid walls using appropriate reinforcement to ensure sufficient strength.

Open cold and hot water supply and check connections for leakage!

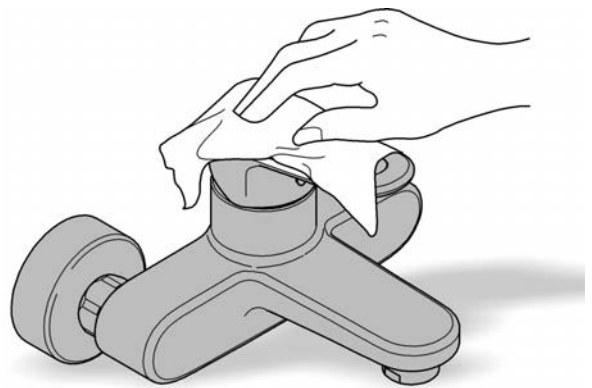
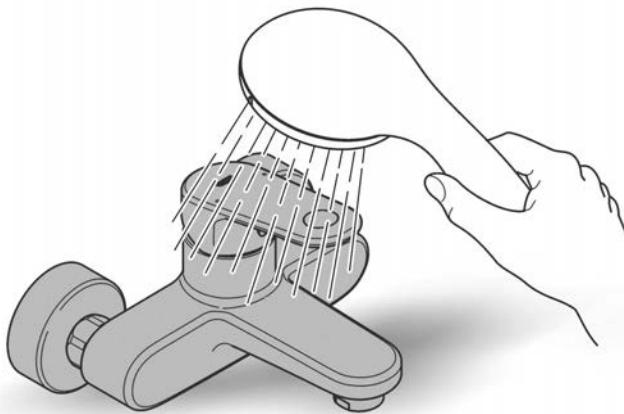
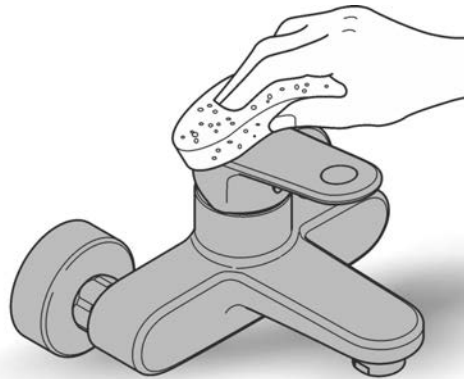
Care

For directions on the care of this fitting, please refer to the accompanying care instructions.

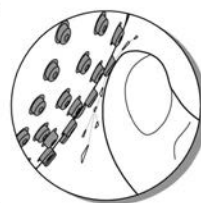
This product must be installed in conformance with local codes e.g. AS/NZS 3500 series of standard!



48166000



SpeedClean



Pure Freude
an Wasser

GROHE


D

+49 571 3989 333
impressum@grohe.de

A

+43 1 68060
info-at@grohe.com

AUS

+1300 054 945
grohe_australia@lixil.com

B

+32 16 230660
info.be@grohe.com

BG

+359 2 9719959
grohe-bulgaria@grohe.com

CAU

+99 412 497 09 74
info-az@grohe.com

CDN

+1 888 6447643
info@grohe.ca

CH

+41 448777300
info@grohe.ch

CN

+86 21 63758878

CY

+357 22 465200
info@grome.com

CZ

+420 277 004 190
grohe-cz@grohe.com

DK

+45 44 656800
grohe@grohe.dk

E

+34 93 3368850
grohe@grohe.es

EST

+372 6616354
grohe@grohe.ee

F

+33 1 49972900
marketing-fr@grohe.com

FIN

+358 10 8201100
teknocalor@teknocalor.fi

GB

+44 871 200 3414
info-uk@grohe.com

GR

+30 210 2712908
nsapountzis@ath.forthnet.gr

H

+36 1 2388045
info-hu@grohe.com

HK

+852 2969 7067
info@grohe.hk

I

+39 2 959401
info-it@grohe.com

IND

+91 124 4933000
customercare.in@grohe.com

IS

+354 515 4000
jonst@byko.is

J

+81 3 32989730
info@grohe.co.jp

KZ

+7 727 311 07 39
info-cac@grohe.com

LT

+372 6616354
grohe@grohe.ee

LV

+372 6616354
grohe@grohe.ee

MAL

+1 800 80 6570
info-singapore@grohe.com

N

+47 22 072070
grohe@grohe.no

NL

+31 79 3680133
vragen-nl@grohe.com

NZ

+09 573 0490
sales@robertson.co.nz

P

+351 234 529620
commercial-pt@grohe.com

PL

+48 22 5432640
biuro@grohe.com.pl

RI

+62 21 2358 4751
info-singapore@grohe.com

RO

+40 21 2125050
info-ro@grohe.com

ROK

+82 2 559 0790
info-singapore@grohe.com

RP

+63 2 8041617

RUS

+7 495 9819510
info@grohe.ru

S

+46 771 141314
grohe@grohe.se

SGP

+65 6 7385585
info-singapore@grohe.com

SK

+420 277 004 190
grohe-cz@grohe.com

T

+66 2610 3685
info-singapore@grohe.com

TR

+90 216 441 23 70
GroheTurkey@grome.com

UA

+38 44 5375273
info-ua@grohe.com

USA

+1 800 4447643
us-customerservice@grohe.com

VN

+84 8 5413 6840
info-singapore@grohe.com

AL **BIH** **HR** **KS**

ME **MK** **SLO** **SRB**

+385 1 2911470
adria-hr@grohe.com

**Eastern Mediterranean,
Middle East - Africa
Area Sales Office:**

+357 22 465200
info@grome.com

IR **OM** **UAE** **YEM**

+971 4 3318070
grohedubai@grome.com

Far East Area Sales Office:

+65 6311 3600
info@grohe.com.sg