

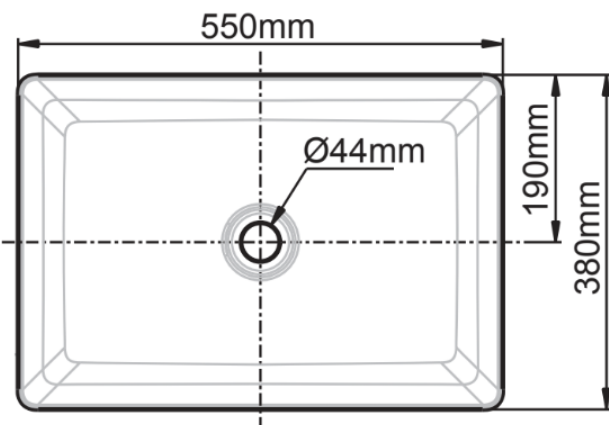
## American Standard Acacia SupaSleek 550mm Vessel

### FEATURES

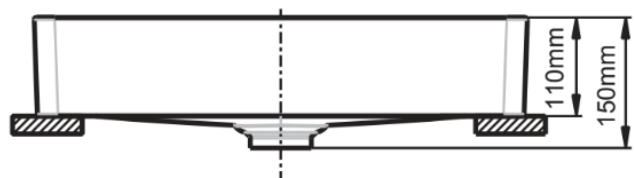
<b>Recommended use</b>	Domestic, hotel and commercial.
<b>Material</b>	Fine Fire Clay
<b>Weight</b>	6kg (basin)
<b>Overall dimensions</b>	L550xW380xH110mm (side edge)
<b>Design</b>	Thin edge

### SPECIFICATIONS

<b>Fixing</b>	Sealed to bench top
<b>Integral overflow</b>	No
<b>Tap hole</b>	NTH
<b>Plug and waste</b>	Sold separately
<b>Colour availability</b>	White
<b>Template</b>	Supplied with product



TOP VIEW



SIDE VIEW

Dimensions are nominal measurements only.

**Disclaimer:** Products in this specification manual must by regulation be installed by licensed and registered trade people. The manufacturer/distributor reserves the right to vary specifications or delete models from their range without prior notification. Dimensions are nominal measurements only. Dimensions and set-outs listed are correct at time of publication however the manufacturer/distributor takes no responsibility for printing errors.

Published 25/08/2021

To see the complete American Standard range go to [www.reece.com.au/bathrooms](http://www.reece.com.au/bathrooms)

