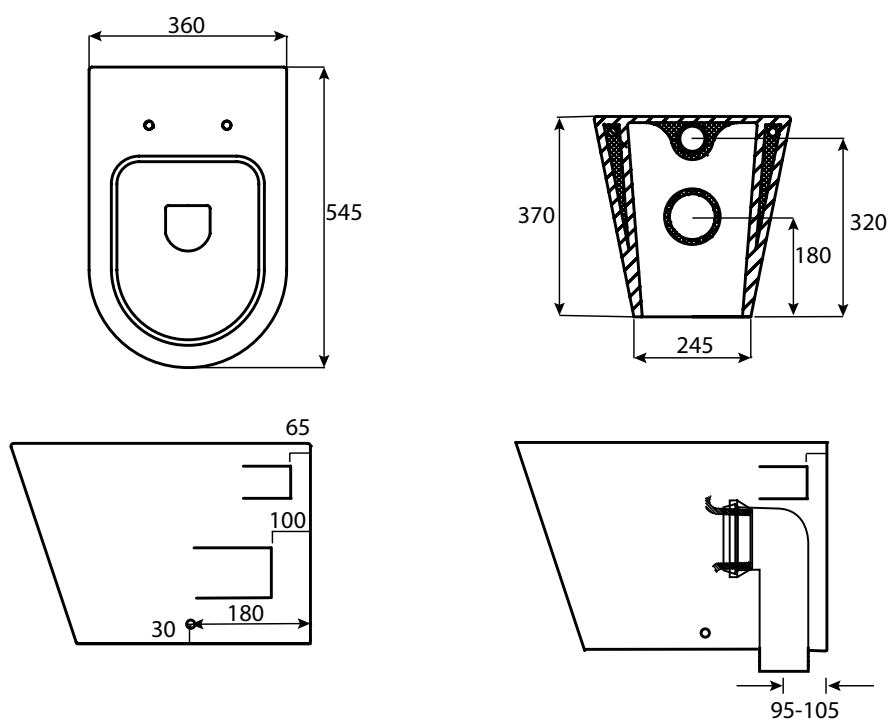


KADO

LUX BACK TO WALL PAN



Dimensions are nominal measurements only

SPECIFICATIONS

Recommended Use	Domestic, Hotel and Commercial
Material	Vitreous china
Colour	White
Weight	Pan: 28kg
Seat	Soft close quick release toilet seat Soft close quick release thin toilet seat
Rim Configuration	Box Rim
Bowl Configuration	Universal S & P
Set Out	S Trap: 95-105mm
Pan Fixing	Screwed to floor (Fixing Screws supplied)



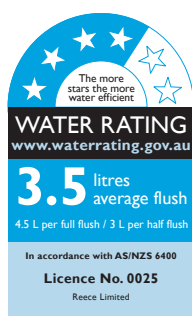
To see the complete KADO range go to www.reece.com.au/bathrooms

CLEANING RECOMMENDATIONS

We recommend the use of soapy water or approved bathroom cleaners.

This bathroom product should not be cleaned with abrasive materials.

Damage caused by any improper treatment is not covered by the product warranty. Refer to Warranty Conditions.



Disclaimer: Products in this specification manual must by regulation be installed by licensed and registered trade people. The manufacturer/distributor reserves the right to vary specifications or delete models from their range without prior notification. Dimensions are nominal measurements only. Dimensions and set-outs listed are correct at time of publication however the manufacturer/distributor takes no responsibility for printing errors.

Tech Page Version 3



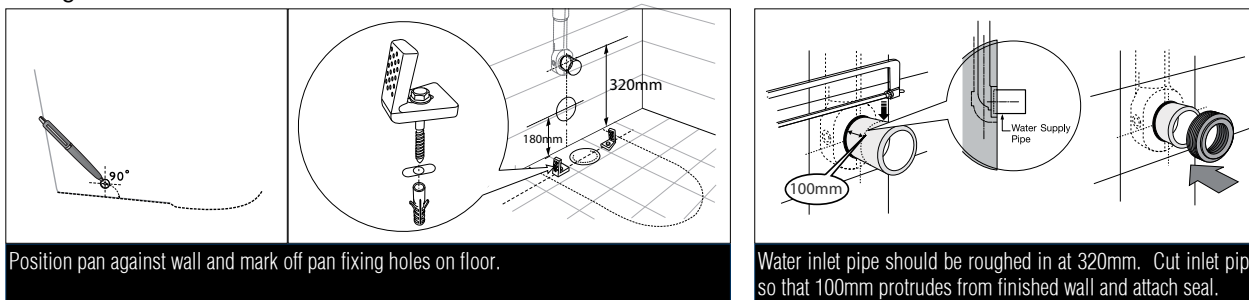
KADO

LUX BACK TO WALL PAN

INSTALLATION INSTRUCTIONS

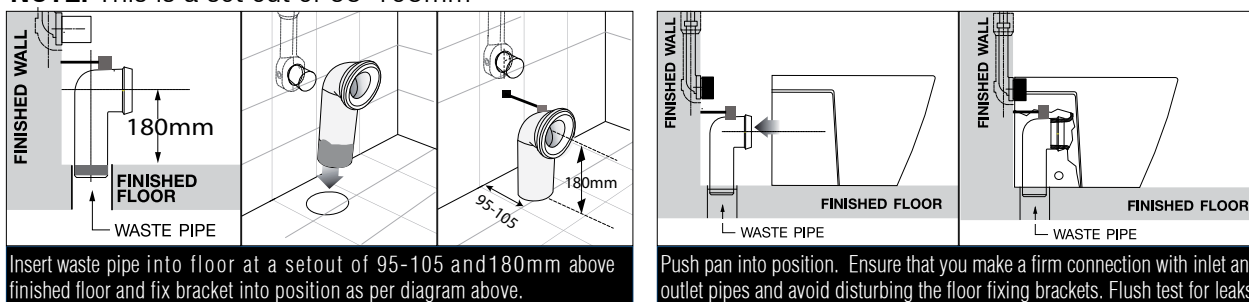
Note: All measurements for roughing in should be taken from the finished wall/floor.

Fixing bracket & Water inlet

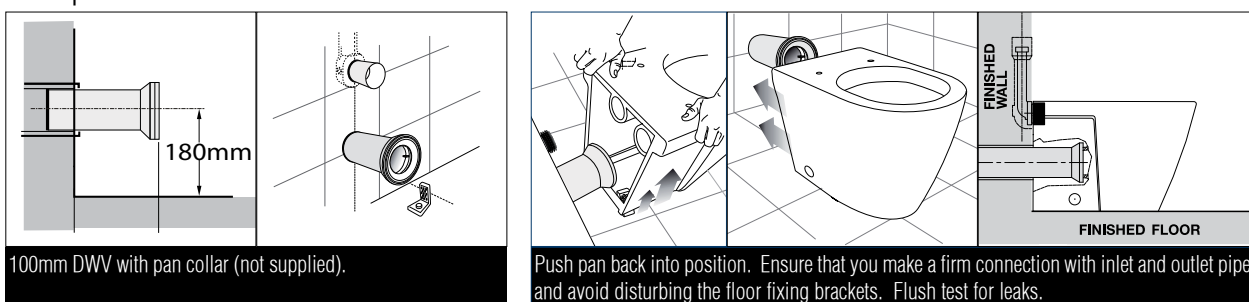


S-Trap Installation

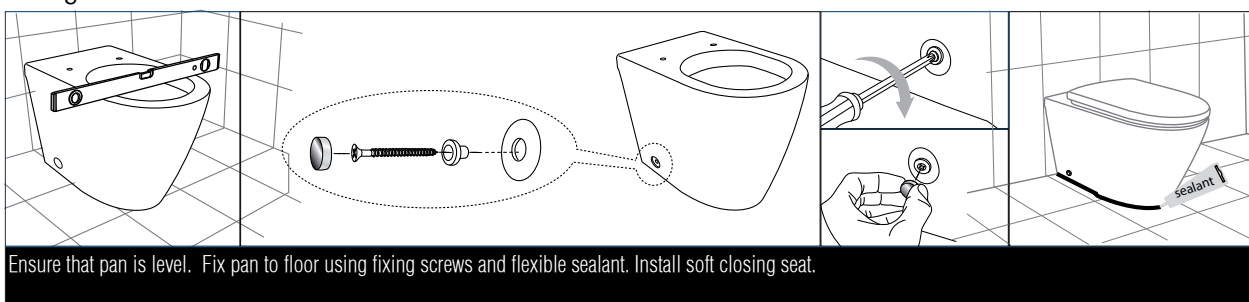
NOTE: This is a set out of 95-105mm



P-Trap Installation



Fixing Pan to Floor



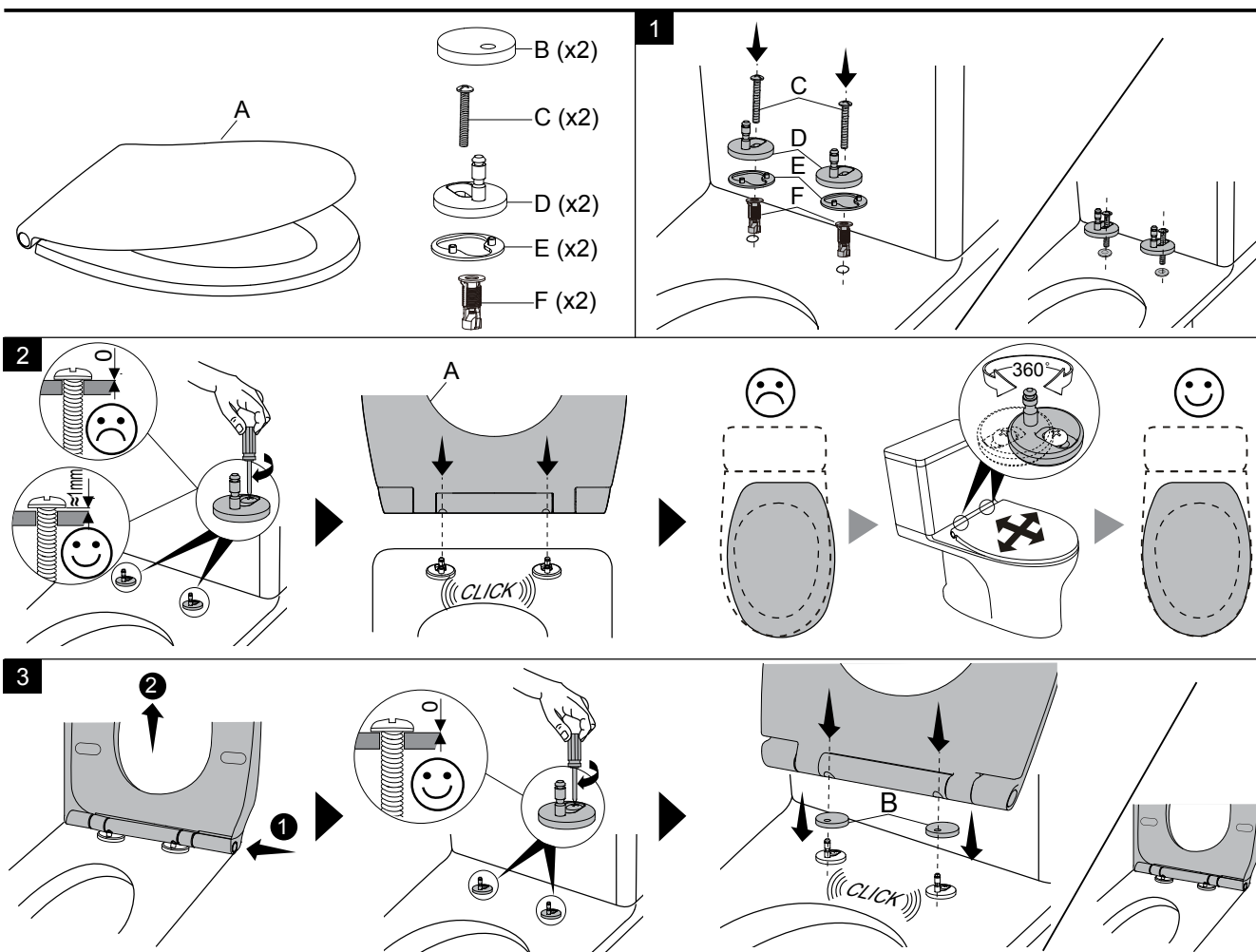
Plumbers, please ensure a copy of the installation instructions is left with the end user for future reference

KADO LUX BACK TO WALL PAN

LUX THIN SEAT INSTALLATION INSTRUCTIONS

Important Note:

Soft close seat and covers can take up to 30 seconds to close. Do not force the closing mechanism as this may result in damage. The fixings of your seat may require re-tightening occasionally depending on use.



SPARE PARTS

Picture	Reece Code	Product Description
	9506341	KADO LUX THIN SEAT BUFFER SET
	9506342	KADO LUX THIN SEAT HINGE SET

Plumbers, please ensure a copy of the installation instructions is left with the end user for future reference

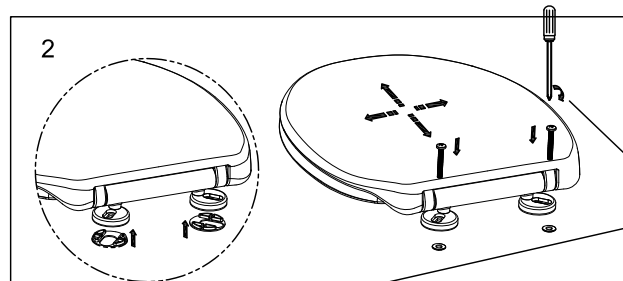
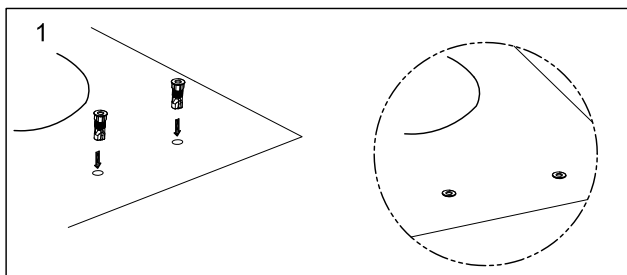
KADO

LUX BACK TO WALL PAN

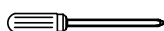
LUX SEAT INSTALLATION INSTRUCTIONS

Important Note:

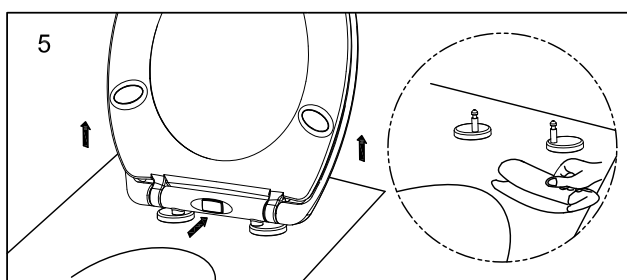
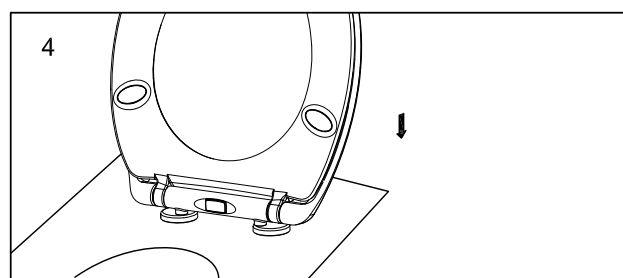
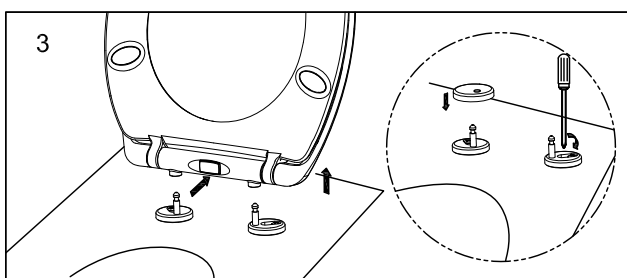
Soft close seat and covers can take up to 30 seconds to close. Do not force the closing mechanism as this may result in damage. The fixings of your seat may require re-tightening occasionally depending on use.



TOOLS:





Cross Screwdriver



Top Fixing Installation procedure.

1. Insert the nylon toggles into the hinge holes of the pan.
2. Mount the hinges onto the shaft of the toilet seat.
3. Plug the bolt into the nylon toggle.
4. Align the toilet seat with the pan.
5. Tighten the screws.
6. Push the button to release the seat.
7. Lift the toilet seat.
8. Insert hinge covers over posts.
9. Fix seat into final position.

SPARE PARTS

Picture	Reece Code	Product Description
	9506723	KADO QUICK RELEASE SCS BUFFER SET
	9503294	TOP FIX QUICK RELEASE HINGE SET

Plumbers, please ensure a copy of the installation instructions is left with the end user for future reference