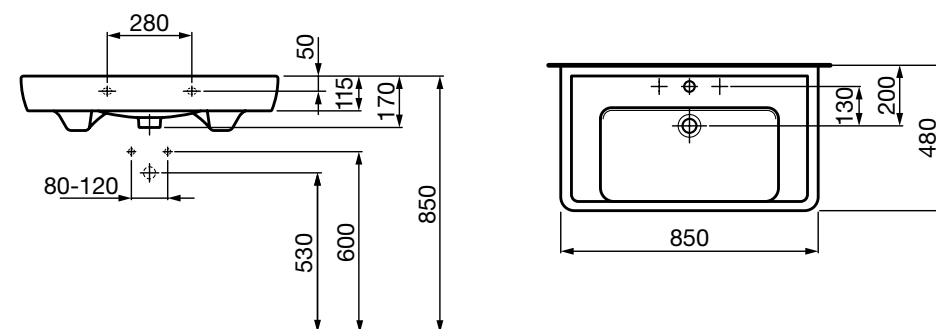


LAUFEN

Pro A

WALL BASIN 850



SPECIFICATION

Fixing requirements	Refer to diagram
Integral overflow	Yes
Tap hole availability	1 taphole
Plug & waste	Suits 32 x 40mm overflow waste
Water storage	7.7 litres
Colour availability	White

FEATURES

Recommended use	Domestic, hotel or commercial
Weight	24.2kg
Finish	LAUFEN Clean Coat



To see the complete LAUFEN range go to www.reece.com.au/bathrooms

CLEANING RECOMMENDATIONS

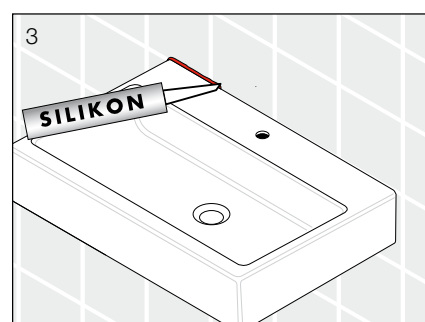
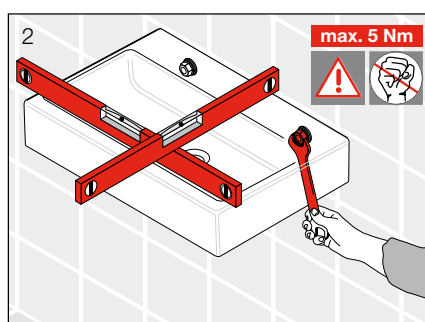
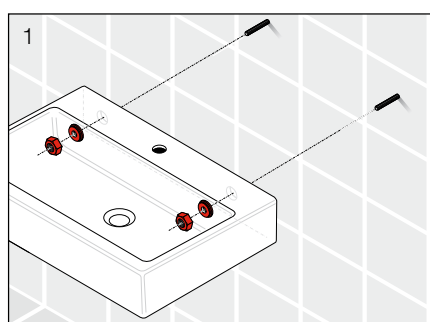
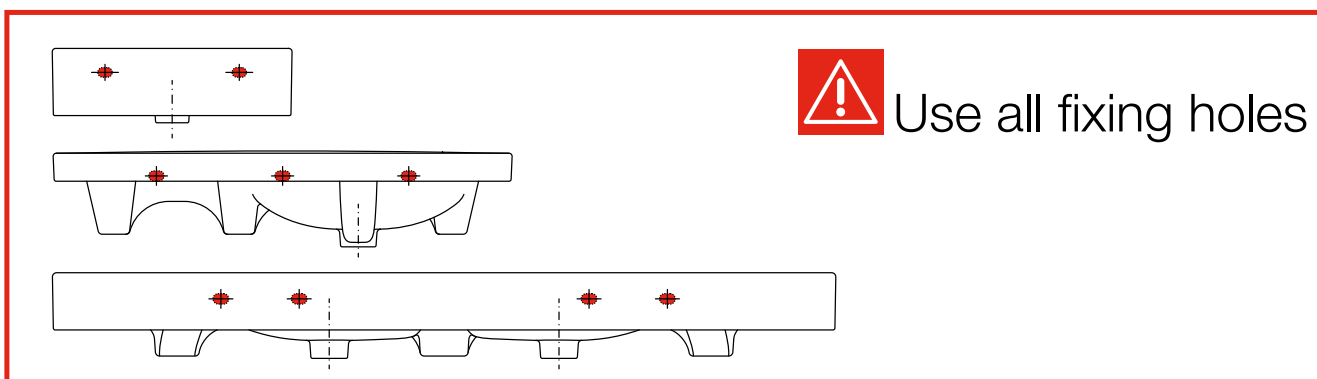
Soapy water or approved bathroom cleaners. This bathroom product should not be cleaned with abrasive materials. Damage caused by any improper treatment is not covered by the product warranty. Refer to Warranty Conditions.

LAUFEN

Pro A

WALL BASIN 850

INSTALLATION



Plumbers, please ensure a copy of the installation instructions is left with the end user for future reference