

INSTALLATION

Important Note

Mixer must be installed to the requirements of AZ/NZS 3500 by a licenced plumber. Your mixer comes to you already factory assembled and tested. We do not recommend the dismantling of any internal part of the mixer. The mixers are factory tested and sealed so as to give the best performance.

1. Please ensure pipework is clear of debris by flushing the lines prior to commencing the installation of the mixer.
2. Attach flexible tails (15, 16) to the mixer; connecting the blue labelled hose to the cold 'C' inlet and red labelled hose to the hot 'H' inlet. Tighten the hoses using a shifter.

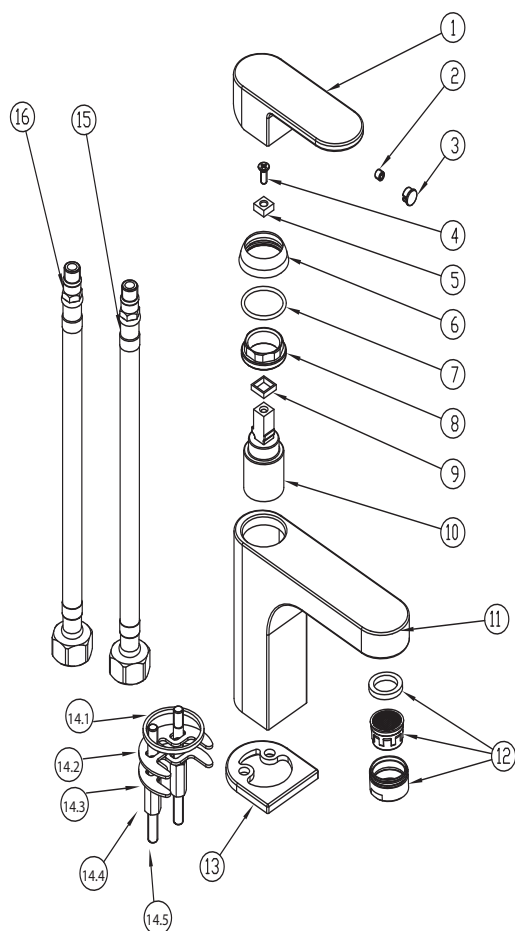
NOTE: Do not twist hose braiding to tighten hoses.

3. Attach fixing rods (14.5) to the bottom of the mixer.
4. Thread the flexible hoses through the dress ring (13) and sealing washer (14.1).
5. Thread the flexible hoses through the tap mounting hole and position the sealing washer and dress ring. Sit the mixer down over the dress ring.

6. From the underside, thread the flex hoses through the bottom O-ring and apply the horse shoe plate (14.3).
7. Slide the O-ring and horse shoe plate to the top, ensuring the O-ring is seated correctly in the grooves on the horse shoe plate. Locate horse shoe plate onto the fixing rods and install hex nuts (14.4) onto the fixing rods. Ensure mixer is positioned and seated correctly before tightening the hex nuts.
8. Connect flexible hose tails to the isolating stops (Arco).
9. Open the isolation stops and check the mixer's operation

SERVICING - CARTRIDGE REPLACEMENT

1. Remove decorative cover (3) and unscrew the grub screw (2) using allen key.
2. Lift off handle and remove the cartridge dome (6), unscrew brass locking nut (8) and lift out cartridge (10).
3. Replace the cartridge (10), replace the brass locking nut (8), replace the cartridge dome (6) and replace handle. Tighten grub screw (2) and push in decorative cover (3).



EXPLODED VIEW

Item	Description
1	Mixer Handle
2	Grub Screw
3	Decorative Cover
4	Fixing Screw
5	Washer
6	Cartridge Dome
7	O-Ring
8	Cartridge Lock Nut
9	Handle Adaptor
10	Cartridge
11	Mixer Body
12	Aerator Complete
13	Dress Ring
14	
14.1	Dress Ring Seal
14.2	Horse Shoe Washer
14.3	Horse Shoe Plate
14.4	Hex Nuts
14.5	Fixing Rods
15	Flexible Hose (Cold)
16	Flexible Hose (Hot)