

Venice 450 Basin and Pedestal Solid Surface White

VENICE PEDESTAL INSTALLATION INSTRUCTIONS

NO claims for damages / defects will be recognised after installation.

Prior to installation it is important to unpack and inspect your products to ensure no damage has occurred in transit and that the product IS CORRECT.

If damage has occurred, or a visible defect exists, do not proceed with installation and contact supplier IMMEDIATELY.

Step 1. Prepare floor surface and make sure it's clean, dry and level. Ensure plumbing is roughed in and suits pedestal requirements. See figure 1.

Step 2. Carefully remove magnetic access panel and set aside in a safe place.

Step 3. Apply a neat generous bead of adhesive silicone sealant around the base flat of pedestal. See figure 3.

Step 4. Carefully place the pedestal in position.

VENICE PEDESTAL ASSEMBLY LIST

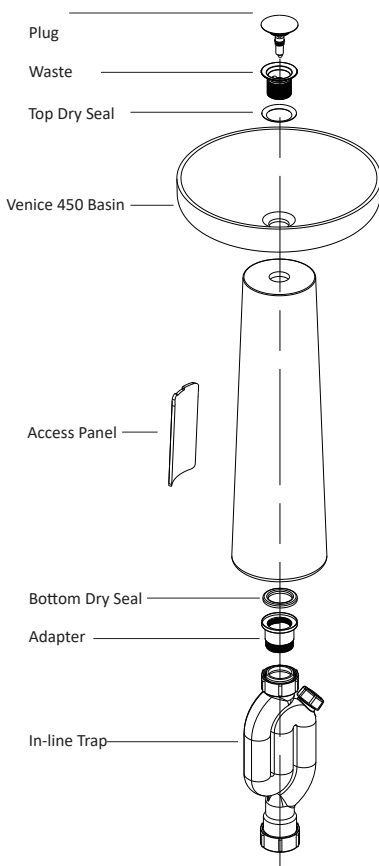


Figure 1.

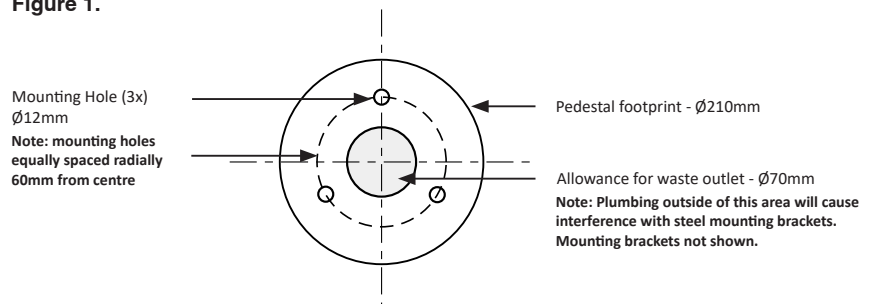
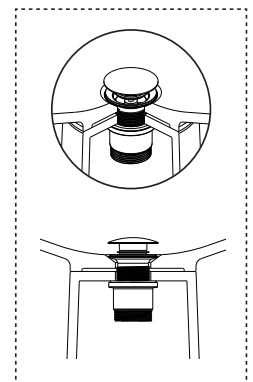
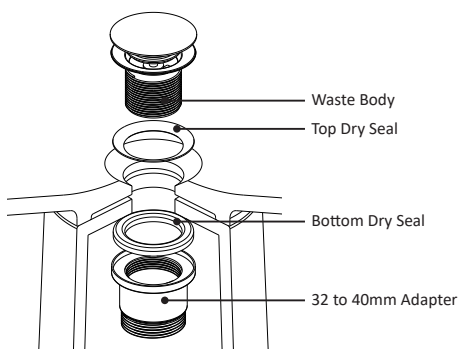


Figure 2.

*Pop up plug and waste is indicative



Note: Drawings are only indicative

Plumbers, please ensure a copy of the installation instructions is left with the end user for future reference

Venice 450 Pedestal Solid Surface White

VENICE BASIN INSTALLATION INSTRUCTIONS

Step 5. Check that mounting brackets are securely attached to pedestal and mount to floor using appropriate fixings. It is the responsibility of the installer to determine the appropriate fixings for the substrate, location and other environmental factors.

Step 6. Apply a neat generous bead of adhesive silicone sealant around the base flat of Venice 450 basin. See figure 3.

Step 7. Gently place the basin on top of the pedestal with the basins base aligned to the top of the pedestal ensuring that all edges meet flush. Check that top of basin is level and parallel to ground. Make adjustments as needed.

Step 8. Assemble waste through the basin and top of pedestal making sure seals in place, hand-tighten lock-nut to secure waste in basin. See figure 2. If correctly installed it should not be possible to rotate basin.

Step 9. Connect in-line trap (supplied) and complete plumbing connections using appropriate plumbing components as determined by the installer. It may be necessary to make connections to waste prior to installing trap. See figure 4.

Step 10. Reinstall access panel with tab pointing upwards.

Step 11. Clean excess silicon around base of basin/ pedestal and leave to dry, as per silicone instructions.

Step 12. Ensure all plumbing connections are inspected and checked for leaks before hand over to client.

Figure 3.

VENICE 450 BASIN

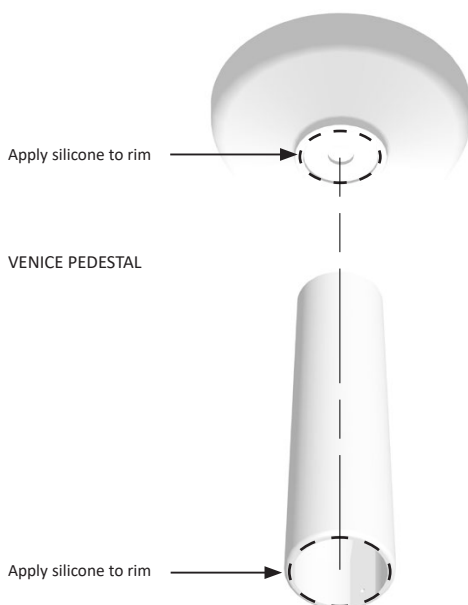
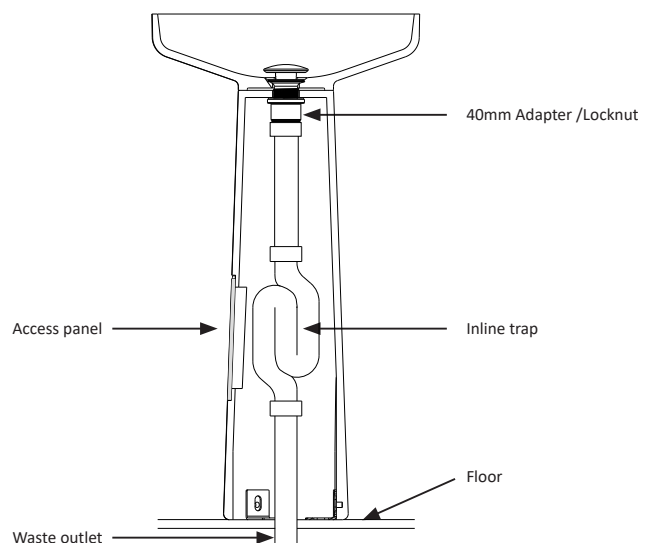


Figure 4.

Diagram for illustrative purposes only. All connections are indicative.



Note: Drawings are only indicative

Plumbers, please ensure a copy of the installation instructions is left with the end user for future reference

Venice 450 Pedestal Solid Surface White

DETAILED CLEANING INSTRUCTIONS

Regular cleaning will assist to keep your solid surface looking fantastic and reduce wear and dirt build up. Spills should be cleaned promptly. Clean with a mild detergent or soapy water and a soft cloth, sponge or non scratch scourer*.

For stubborn marks start with the non-scratch scourer and a mild detergent, if required use a diluted very mild abrasive cleaner* cleaning in light circular motions.

Intense clean/repair: For extreme marks and light scratches a very light buff in circular motions using the finest grade sand/glass paper will restore the surface. A heavier grade of sandpaper will scratch the surface which can be removed by then using a light sand paper. Avoid applying excessive pressure or clean/rub the same area for a prolonged time unless repairing a scratch or damage.

*Always test 'non scratch' and 'mild abrasive' products in a non-conspicuous area first to ensure suitability as brands can differ.

Important notes: If the product is created from a combination of solid surface and another material such as glass or Softskin, it is important that the cleaning instructions for solid surface are not carried out on the alternate material. Damage may occur which will void your warranty.

To maintain a uniform appearance, you may need to clean the entire surface. Never use sharp products such as steel wool or aggressive, commercial grade / strong cleaners or chemicals (e.g. acetone, trichloroethylene, acids, and caustic soda) as these may damage and scratch the surface. For best results always finish by wiping surface clean of all detergents and dry with a soft clean cloth.