

EUROSMART NEW  
SINK MIXER WITH PULL OUT DUAL SPRAY  
MODEL #30317001

Pure Freude  
an Wasser

GROHE

## Product Specifications



### Product description

#### Eurosmart

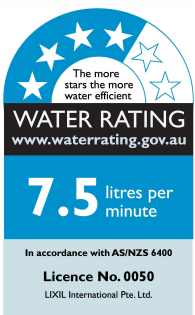
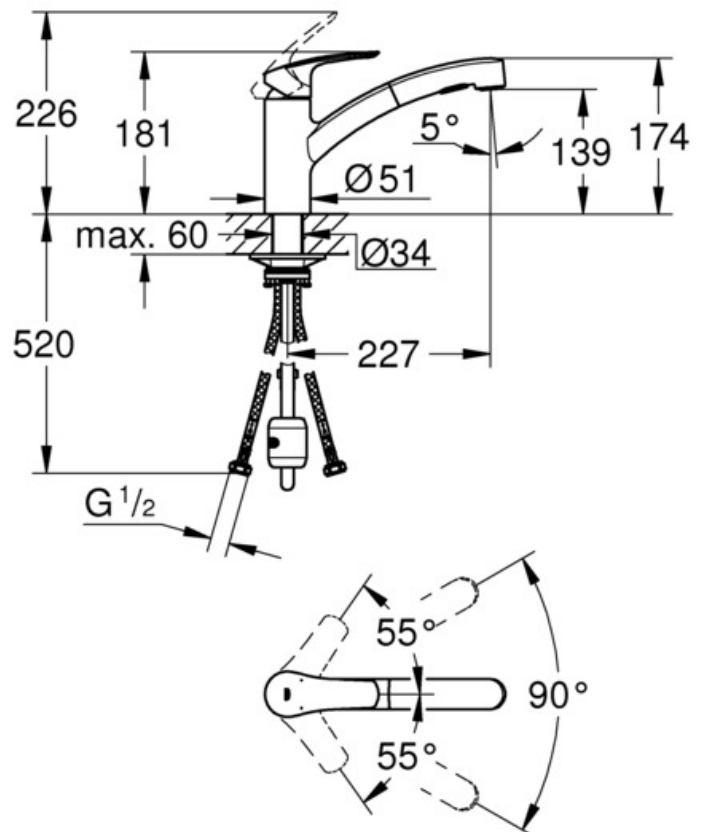
Single-lever pull out spray sink mixer  
Low spout  
Single hole installation

**GROHE Starlight®** Chrome finish

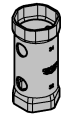
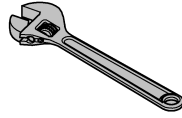
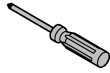
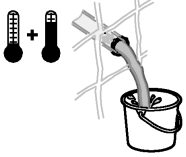
**GROHE SilkMove®** mm Ceramic Cartridge

**GROHE ZERO®** Inner waterway - Lead and nickel free

Integrated temperature limiter  
Pull-out dual spray - switches back and forth between regular Flow and spray diverter: mousseur/  
SpeedClean shower jet Automatic return to mousseur.  
Adjustable flow rate limiter.  
Swivel cast spout.  
90° swivel radius.  
Flexible connection hoses.  
Protected against backflow.



i

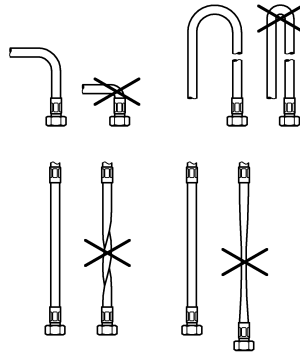
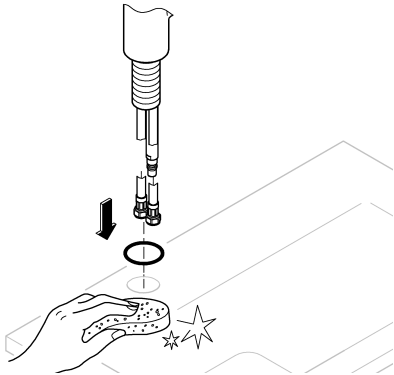


32mm

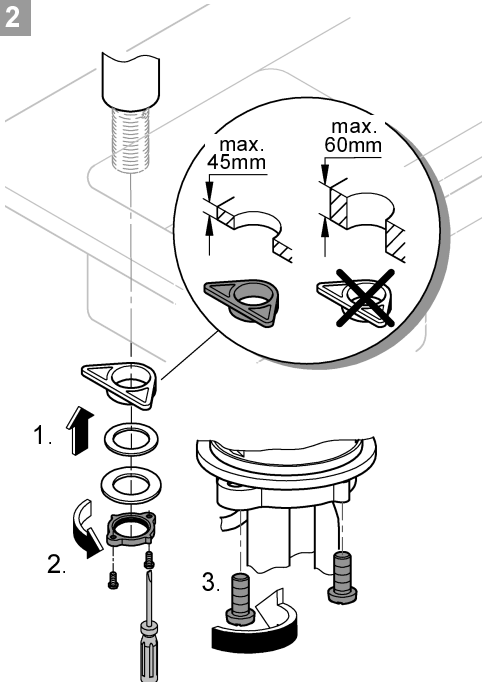
\*19 332



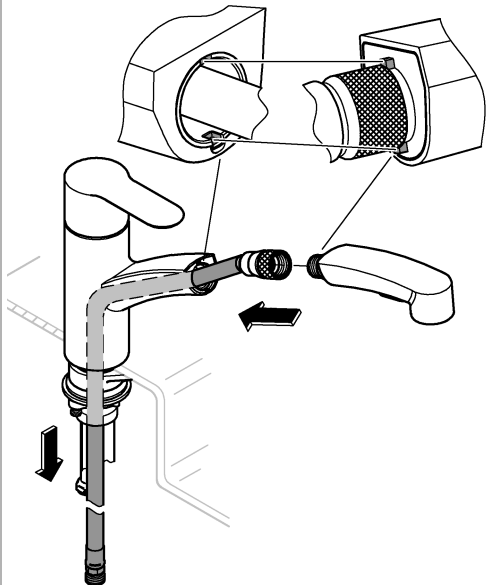
1



2

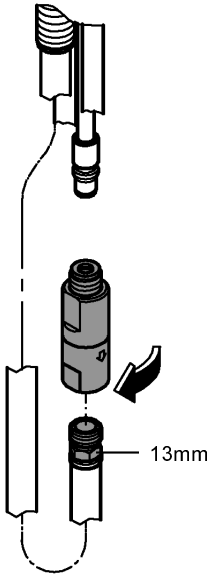


3

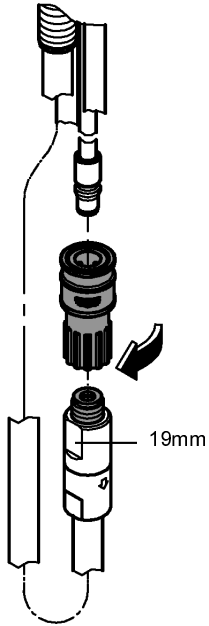




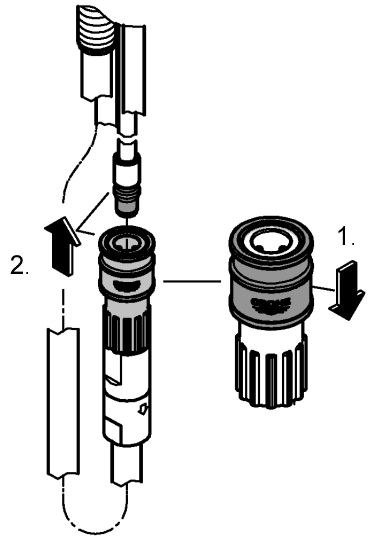
4



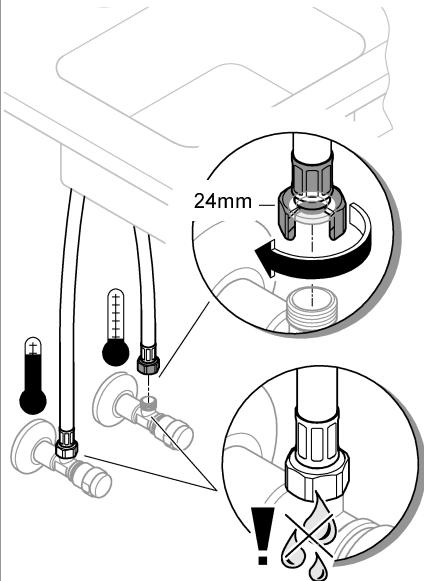
5



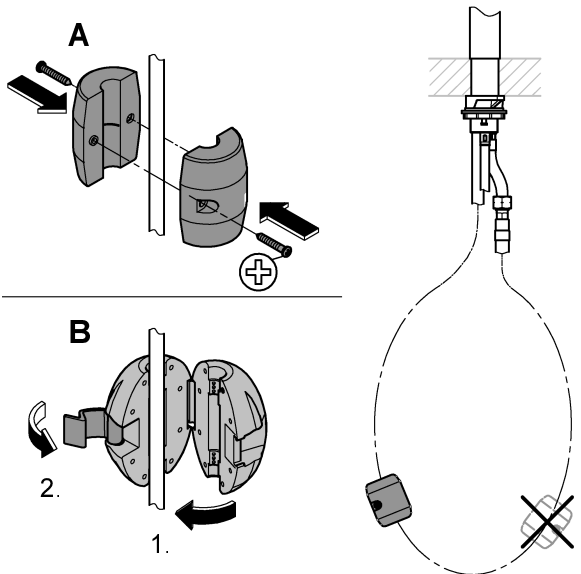
6

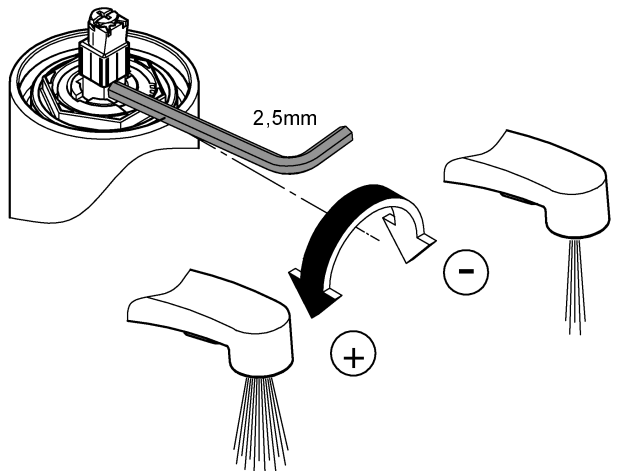
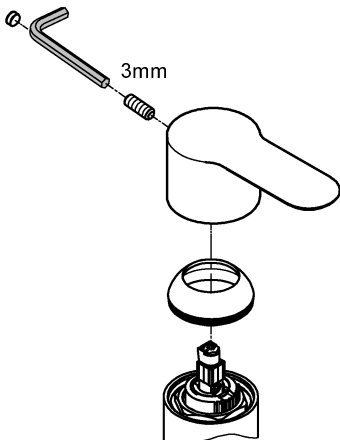
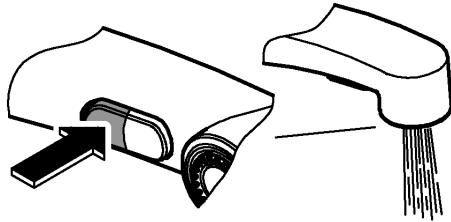
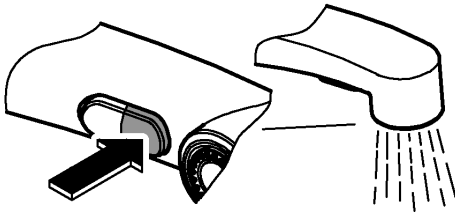


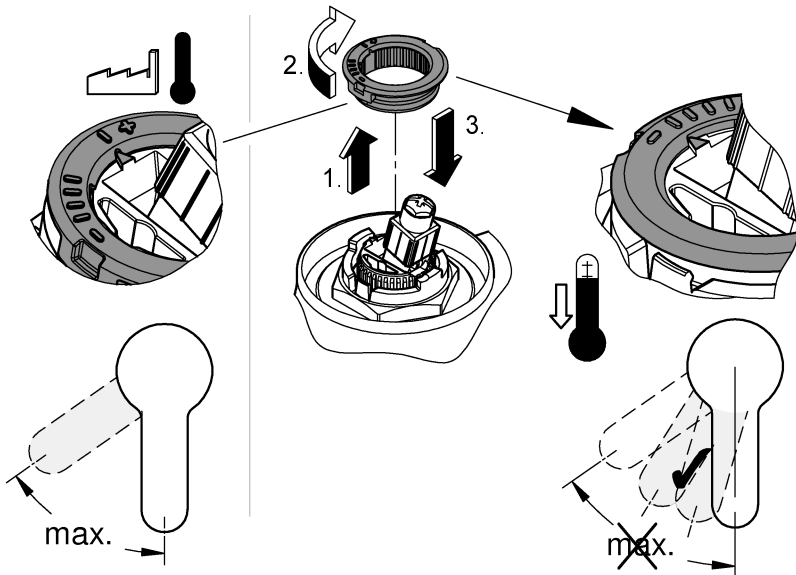
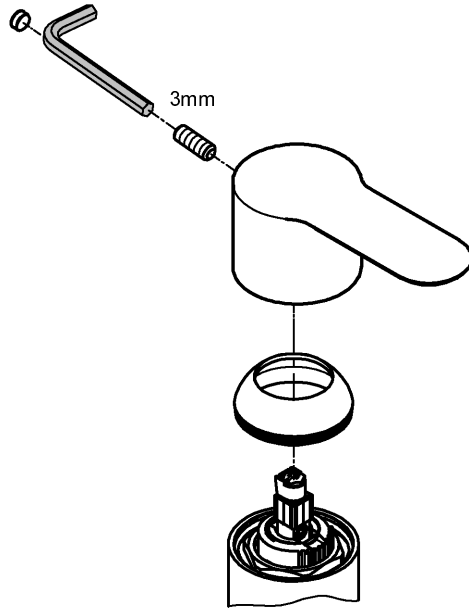
7

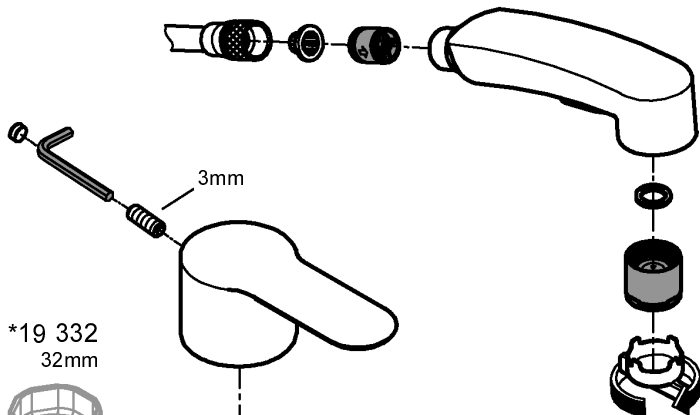
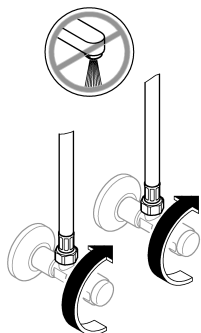
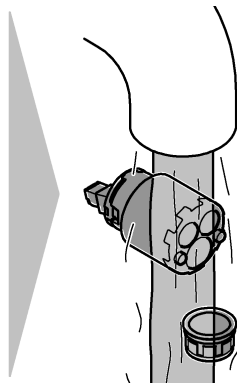


8

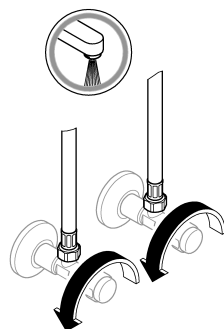
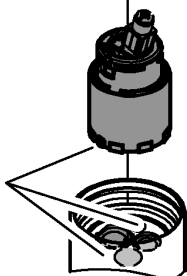
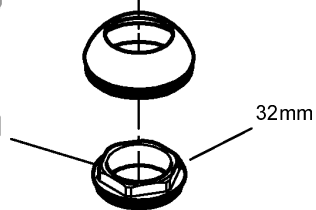








\*19 332  
32mm



## Application

- for kitchen

Can be used in conjunction with:

- Pressurised storage heaters
- Thermally controlled instantaneous heaters
- Hydraulically controlled instantaneous heaters

Operation with unpressurised storage heaters (open water heaters) is **not** possible.

## Specifications:

- Flow pressure min. 50 kPa - recommended 100 - 500 kPa
- Operating pressure max. 1000 kPa
- Test pressure 1600 kPa

If static pressure is greater than 500 kPa, fit pressure reducer.  
Avoid major pressure differences between hot and cold water supply.

- Flow rate at 300 kPa flow pressure approx. 6 L/min
- Temperature  
Hot water inlet: (maximum) 70 °C  
Recommended: (energy saving) 60 °C  
Thermal disinfection possible
- Water connection cold - right hot - left
- Max. clamping length max. 60mm



## Installation

**Flush piping system prior and after installation of fitting thoroughly (Consider EN 806)!**

This product must be installed in conformance with local codes e.g. AS/NZS 3500 series of standard!

**Installation and connection**, see Fig. [1] - [7].

Refer to the dimensional drawing.

The cold-water supply must be connected on the right and the hot-water supply on the left.

**Note:** If the support plate is omitted, the clamping length can be increased by 15mm, see Fig. [2].

## Installation Instructions

**Flush piping system prior and after installation of fitting thoroughly!**

This product must be installed in conformance with local codes e.g. AS/NZS 3500 series of standard!

Minimum working pressure 100kPa, recommended working 500kPa,  
Maximum temperature 70 degrees, recommended temperature 60 degrees.

**Open cold and hot-water supply and check connections for watertightness!**



**Check fitting for correct operation.**



## Flow rate limiter.

This mixer is fitted with a flow rate limiter, permitting an infinitely individual variable reduction in the flow rate. The highest possible flow rate is set by the factory before despatch.

**The use of flow rate limiters in combination with hydraulic instantaneous water heaters is not recommended.**



**Temperature limiter** is inoperative on delivery.



## Maintenance

Inspect and clean all parts, replace as necessary and grease with special grease.

**Shut off cold and hot water supply!**

**Replacing the cartridge.**

Assemble in reverse order.

**Observe the correct installation position!**

Make sure that the cartridge seals engage in the grooves on the housing. Screw in and tighten screwing.



**Replacement parts** (\* = special accessories).

## Care

For directions on the care of this fitting, refer to the accompanying Care Instructions.

**Open cold and hot water supply and check connections for leakage!**

## Care

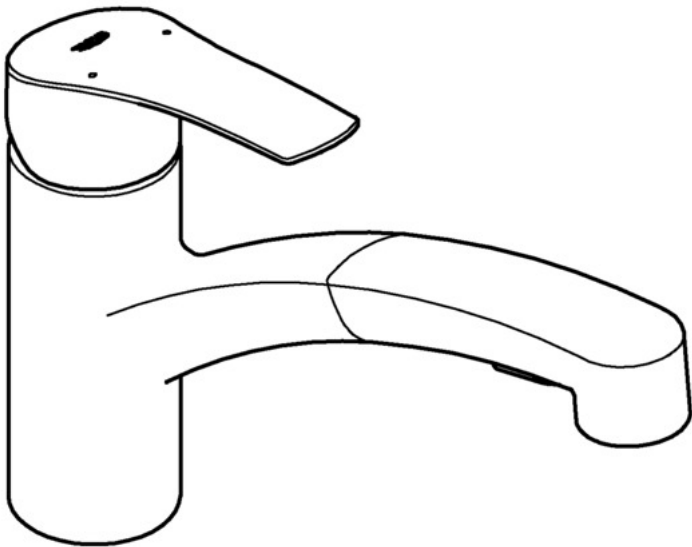
For directions on the care of this fitting, please refer to the accompanying care instructions.

EUROSMART NEW  
SINK MIXER WITH PULL OUT DUAL SPRAY  
MODEL #30317001

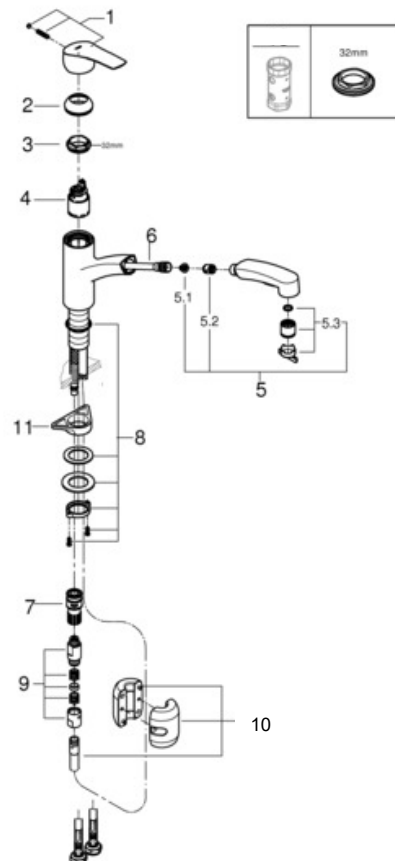
Pure Freude  
an Wasser



Spare Parts



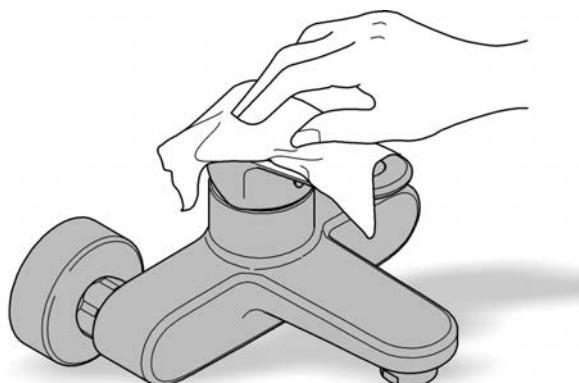
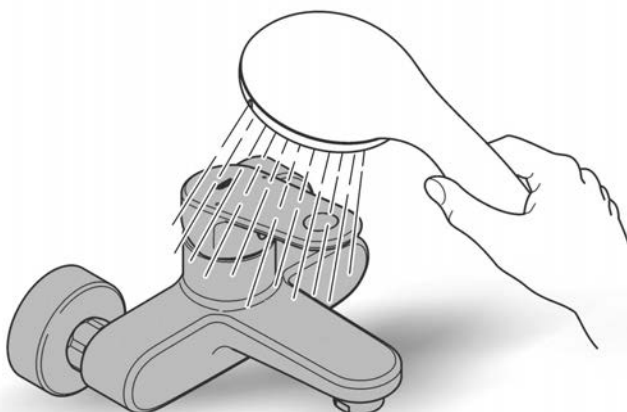
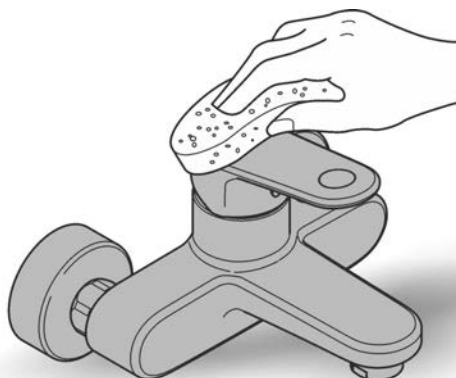
Pos.-nr.	Product Description	Order-nr.	Units per package
1	Lever	48530000	1
2	Cap	46492000	1
3	Screw ring	46815000	1
4	Cartridge	46374000	1
5	Pull out spray Handset	46956000	1
5.1	Dirt strainer	06768000	1
5.2	Non-return valve	08565000	1
6	Shower hose	48293000	1
7	Quick Coupling piece	12365000	1
8	Shank fastening assembly	48384000	1
9	Screw coupling	46817000	1
10	Hose with Weight	48293000	1
11	Optional extra - Socket Wrench	19332000	







48166000



SpeedClean



Pure Freude  
an Wasser

**GROHE**  


**D**

+49 571 3989 333  
impressum@grohe.de

**A**

+43 1 68060  
info-at@grohe.com

**AUS**

+1300 054 945  
grohe\_australia@lixil.com

**B**

+32 16 230660  
info.be@grohe.com

**BG**

+359 2 9719959  
grohe-bulgaria@grohe.com

**CAU**

+99 412 497 09 74  
info-az@grohe.com

**CDN**

+1 888 6447643  
info@grohe.ca

**CH**

+41 448777300  
info@grohe.ch

**CN**

+86 21 63758878

**CY**

+357 22 465200  
info@grome.com

**CZ**

+420 277 004 190  
grohe-cz@grohe.com

**DK**

+45 44 656800  
grohe@grohe.dk

**E**

+34 93 3368850  
grohe@grohe.es

**EST**

+372 6616354  
grohe@grohe.ee

**F**

+33 1 49972900  
marketing-fr@grohe.com

**FIN**

+358 10 8201100  
teknocalor@teknocalor.fi

**GB**

+44 871 200 3414  
info-uk@grohe.com

**GR**

+30 210 2712908  
nsapountzis@ath.forthnet.gr

**H**

+36 1 2388045  
info-hu@grohe.com

**HK**

+852 2969 7067  
info@grohe.hk

**I**

+39 2 959401  
info-it@grohe.com

**IND**

+91 124 4933000  
customercare.in@grohe.com

**IS**

+354 515 4000  
jonst@byko.is

**J**

+81 3 32989730  
info@grohe.co.jp

**KZ**

+7 727 311 07 39  
info-cac@grohe.com

**LT**

+372 6616354  
grohe@grohe.ee

**LV**

+372 6616354  
grohe@grohe.ee

**MAL**

+1 800 80 6570  
info-singapore@grohe.com

**N**

+47 22 072070  
grohe@grohe.no

**NL**

+31 79 3680133  
vragen-nl@grohe.com

**NZ**

+64 9 573 0490  
sales@robertson.co.nz

**P**

+351 234 529620  
commercial-pt@grohe.com

**PL**

+48 22 5432640  
biuro@grohe.com.pl

**RI**

+62 21 2358 4751  
info-singapore@grohe.com

**RO**

+40 21 2125050  
info-ro@grohe.com

**ROK**

+82 2 559 0790  
info-singapore@grohe.com

**RP**

+63 2 8041617

**RUS**

+7 495 9819510  
info@grohe.ru

**S**

+46 771 141314  
grohe@grohe.se

**SGP**

+65 6 7385585  
info-singapore@grohe.com

**SK**

+420 277 004 190  
grohe-cz@grohe.com

**T**

+66 2610 3685  
info-singapore@grohe.com

**TR**

+90 216 441 23 70  
GroheTurkey@grome.com

**UA**

+38 44 5375273  
info-ua@grohe.com

**USA**

+1 800 4447643  
us-customerservice@grohe.com

**VN**

+84 8 5413 6840  
info-singapore@grohe.com

**AL** **BIH** **HR** **KS**

**ME** **MK** **SLO** **SRB**

+385 1 2911470  
adria-hr@grohe.com

**Eastern Mediterranean,  
Middle East - Africa  
Area Sales Office:**

+357 22 465200  
info@grome.com

**IR** **OM** **UAE** **YEM**

+971 4 3318070  
grohedubai@grome.com

**Far East Area Sales Office:**

+65 6311 3600  
info@grohe.com.sg