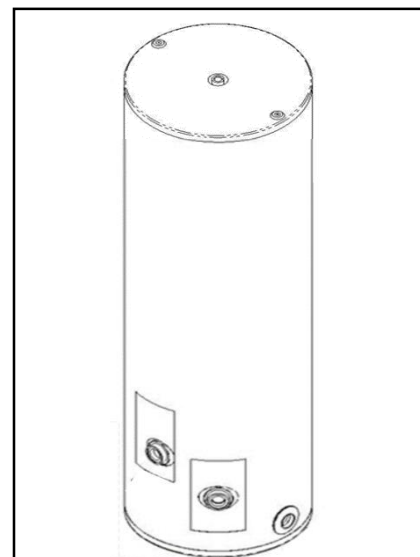
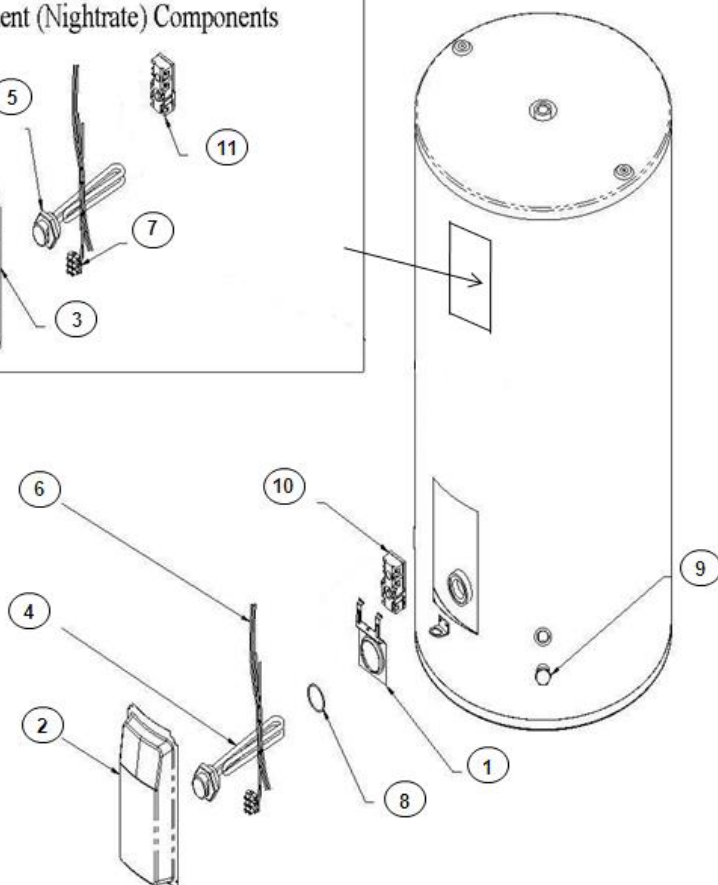
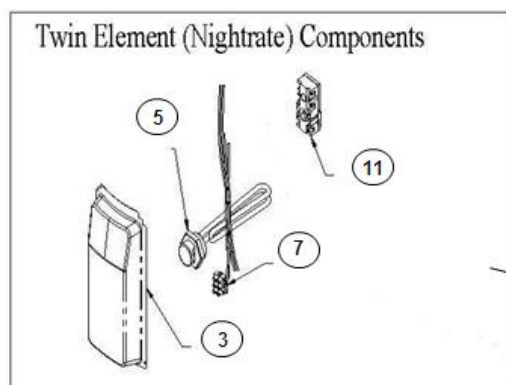


Rheem Spare Parts Manual

LP and Heavy Head Copper (Including Tank Units)



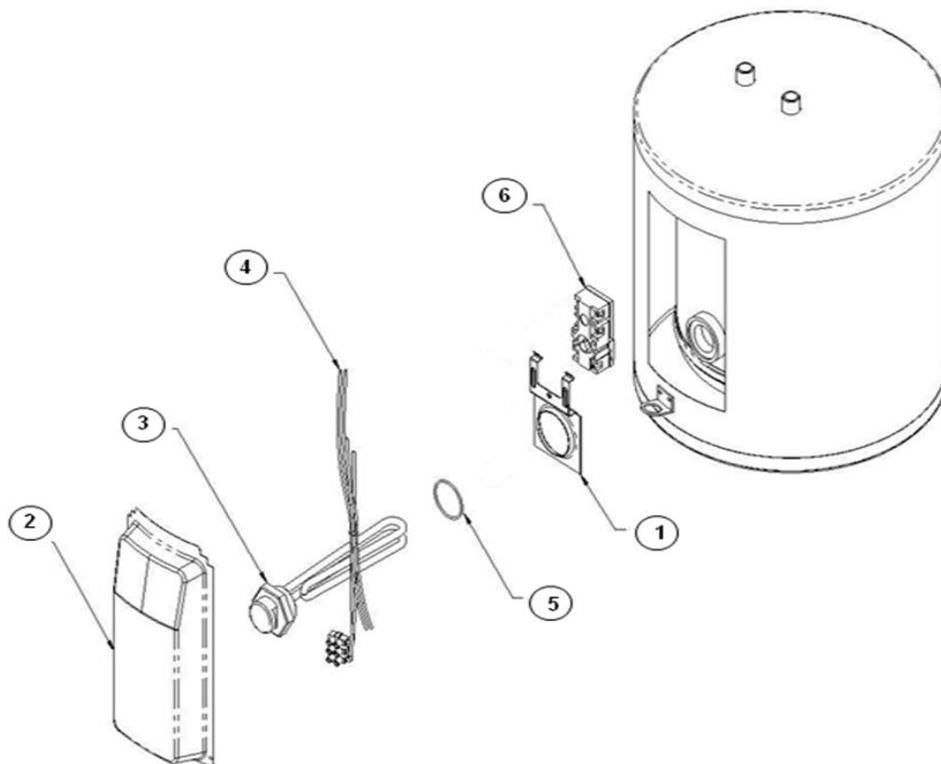
Dual Element (Simultaneous)

These models incorporate a second heating element and thermostat which are a duplicate of the single element components

Please note: Tank units use the same 2 or 3kW element and thermostat configuration		
Item	Part No.	Description
1	11599	Thermostat clamp
2	11910	Thermostat cover bottom
3	314165	Thermostat cover deep (pre March 2003) top
	316466	Thermostat cover slim (post March 2003) top
4	319099	Element 1.0kW tin plated (old 14315)
	320161	Element 1.5kW tin plated (old 14316)
	320162	Element 2.0kW tin plated (old 14317)
5	14318	Element 3.0kW tin plated
6	13197	Wiring loom prewired
	13196	Wiring loom BCR prewired
7	13197	Wiring loom prewired
8	10908	Element O-ring
9	316608	Plug 3/4" triple inlet cylinder
10	10975	R/Shaw T/stat ST1204113 15-45L under sink
	315825	R/Shaw T/stat ST1203133 bottom 70-350L twin element
	317312	R/Shaw T/stat ST1001130 BCR prewired & Wetback (old 316401)
11	11077	R/Shaw T/stat ST2207233 non simultaneous twin element top

Rheem Spare Parts Manual

LP Copper prewired under bench Models 19901513 19902513 19904013



Item	Part No.	Description
1	11599	Thermostat clamp
2	314165	Thermostat cover deep (pre March 2003)
	316466	Thermostat cover slim (post March 2003)
3	319099	Element 1.0kW nickel plated (Old 14315)
	320161	Element 1.5kW nickel plated (old 14316)
	320162	Element 2.0kW nickel plated (old 14317)
	14318	Element 3.0kW nickel plated
4	13197	Wiring loom prewired
5	10908	Element O-ring
6	10975	R/Shaw thermostat ST1204113