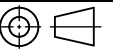


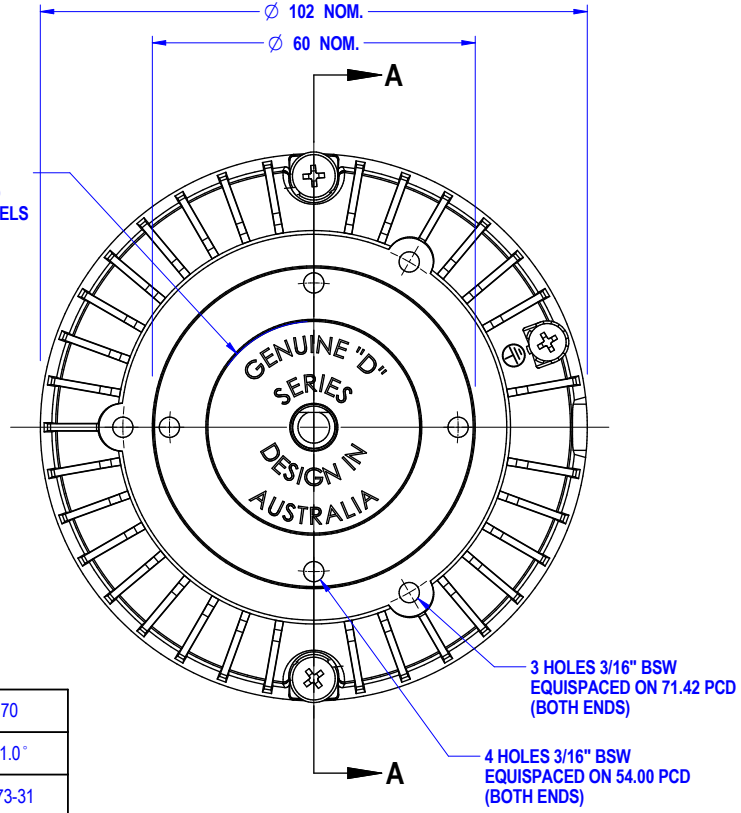
NOTE: REGAL AUSTRALIA IS HAPPY TO PROVIDE TECHNICAL ASSISTANCE TO OUR CUSTOMERS IN MANY AREAS. HOWEVER, SINCE REGAL AUSTRALIA IS NOT AWARE OF ALL DATA CONCERNING THE USE AND APPLICATION OF THIS MOTOR, THE SUITABILITY OF THE MOTOR FOR THE APPLICATION MUST BE DETERMINED BY AND IS THE RESPONSIBILITY OF THE CUSTOMER.



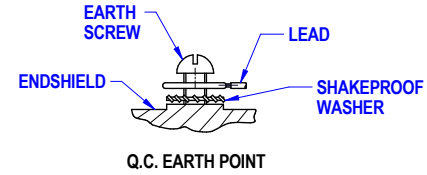
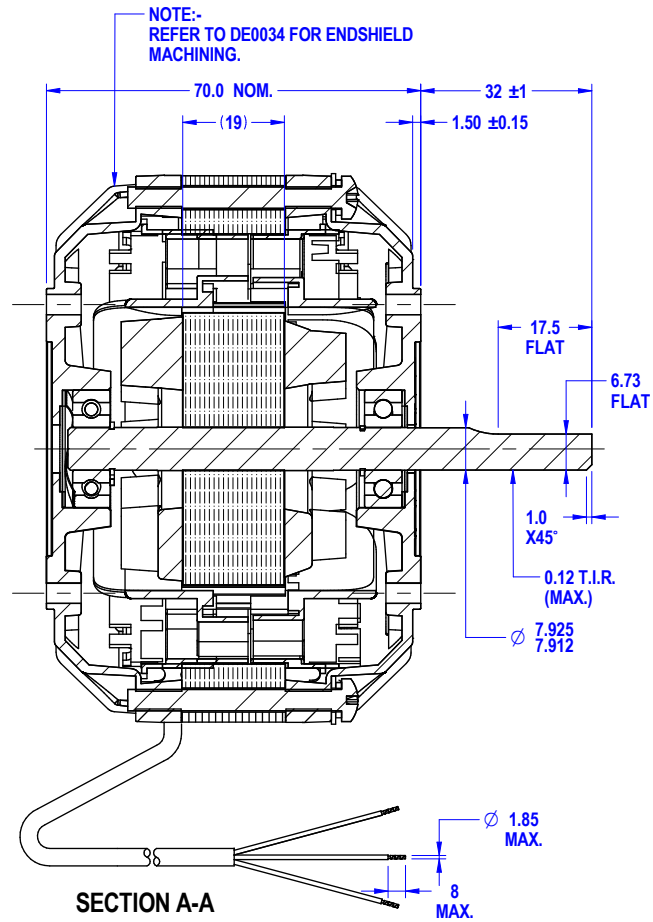
MOTOR SPECIFICATION

CUSTOMER				
CUSTOMER P/N				
QR No.		CAPACITOR	uf / V	
POWER OUTPUT	20W	START	NIL	
MOTOR TYPE	SH/POLE	RUN	NIL	
SUPPLY	VOLTS	HERTZ	PHASE	POLES
	240	50	SINGLE	4
ENCLOSURE	TOTALLY ENCLOSED			
SPEED (RPM) AT RATED OUTPUT	1300	WINDING TYPE		
ROTATION	ANTI-CLOCKWISE (DRIVE END)			
INSULATION CLASS	F 155	DUTY	AOM	
THERMAL PROTECTION	AUTO RESET			
RATED CURRENT	0.52	AMPS AT RATED OUTPUT		
APPLICATION	FAN DRIVE			
MOUNTING	TAPPED HOLES IN ENDSHIELD			
BEARING & LUBRICATION	608ZZWIDE RANGE, LONG LIFE			
SUPPLY LEAD	COLOUR	PVC GREY		
	LENGTH	750 ⁺⁵⁰ ₋₀ (45±5 STRIPPED)		
	TERMINALS	BOOTLACES		
	Q.C. HOUSING	NIL		
EARTH PROVISION	VIA SUPPLY LEAD			
BASIC BUILD SPECIFICATION	WINDING			
PERFORMANCE SPECIFICATION	WIRE			
SHAFT MATERIAL	MILD STEEL			
CONNECTION DIAGRAM	NIL	PAINT SPEC	NIL	OHMS

SURFACES MUST BE THOROUGHLY CLEANED PRIOR TO AFFIXING LABELS AT BOTH ENDS



DO NOT SCALE PRINT



- SPECIAL REQUIREMENTS**
- 1) PLACE IN PLASTIC BAG AND ATTACH TO LEAD
4 - SCREWS 3/16" BSW x 8.0mm PAN POSI HD.
4 - SHAKEPROOF EXTERNAL WASHER 5mm I.D.
 - 2) SHAFT MATERIAL 45 STEEL.
 - 3) SINGLE CARTON, 6-MOTORS IN PLAIN BOX.

DIMENSIONS IN mm UNLESS OTHERWISE SPECIFIED GENERAL TOLERANCES LINEAR: X = ±1.0 XX = ±0.25 XXX = ±0.1 ANGULAR: X = 2° XX = ±0.5° SURFACE FINISHES IN MICRO METRES. MAX 3.0 SYMBOLS - A.S. 1100 This drawing remains the property of Regal Australia Pty. Ltd. No part or parts of this drawing may be reproduced without written permission.	MAT'L	
	FINISH	
	DRAWN	MURFETTR 08/05/07
	CHECKED	
	RELEASED	
SCALE	NTS	

REGAL
 19 Corporate Avenue
 Rowville, Melbourne
 Victoria 3178, Australia

FRAME	MOTOR		REVISION
STATUS	4P 20W		
SHEET	DWG. NO.		
A3	50D551-01AT		C

M/C No. By: Sritchal Date: 09/01/2018 M/C No. C: SHOWN SECTION A-A