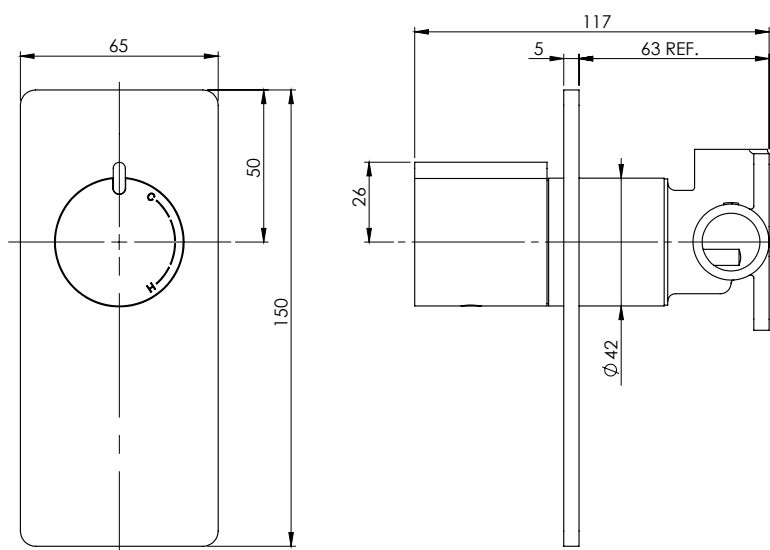


# MILLI AXON

## SHOWER / WALL MIXER



Dimensions are nominal measurements only.



### SPECIFICATIONS

<b>Recommended Use</b>	Domestic, hotel and commercial
<b>Finish Available</b>	Chrome Handle with Chrome B/P Chrome/Black Handle with Chrome B/P Chrome/Black Handle with Black B/P Rose Gold/Black Handle with Black B/P
<b>Pressure Rating</b>	Maximum continuous operating pressure 500 kPa. Note: For best performance and longer life we recommend 150-500 kPa.
<b>Temperature Rating</b>	Maximum continuous working temperature 75°
<b>Suitable Hot Water</b>	Storage Tank: Yes Continuous Flow: Refer to manufacturer of continuous hot water systems Gravity Feed: No

To see the complete Milli range go to [www.reece.com.au/bathrooms](http://www.reece.com.au/bathrooms)

### CLEANING RECOMMENDATIONS

We recommend the use of soapy water or approved cleaners.

This product should not be cleaned with abrasive materials.


Damage caused by any improper treatment is not covered by the product warranty - refer to Warranty Conditions.

# MILLI AXON SHOWER / WALL MIXER

## INSTALLATION INSTRUCTIONS


MILLI AXON SHOWER MIXER INSTALLATION INSTRUCTIONS

### WATER SUPPLY REQUIREMENTS



**150 KPa Min.  
550 KPa Max.**

Recommended Working Pressure



**75°**

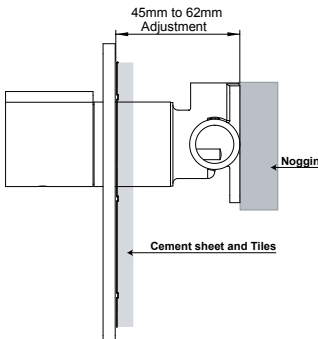
Maximum hot water temperature

**Note:**  
- If the pressure exceeds or is likely to exceed 550kpa, an approved pressure limiting device must be installed.  
- Flush out all pipe work prior to installation.  
- If the water temperature exceeds 75°C, an approved tempering valve must be fitted.  
- Installation should comply with Australian standard AS3500.1 or relevant local authority requirements.

Failure to comply with the above may void all warranties.

### Maintenance and Care

- Chrome plated surfaces should be cleaned with mild liquid detergent or soap and water.  
- Do not use cream cleaners or citrus based cleaning products, as they are abrasive.  
- Use of unsuitable cleaning agents may damage the surface. Any damage caused in this way will not be covered by warranty.

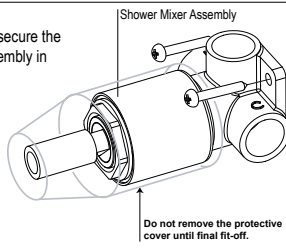


45mm to 62mm Adjustment

← Cement sheet and Tiles

← Noggin

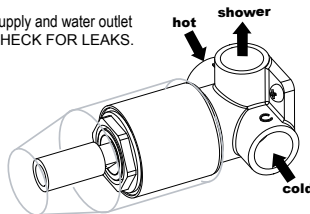
**1** Fasten screws to secure the shower mixer assembly in place.



Shower Mixer Assembly

Do not remove the protective cover until final fit-off.

**2** Attach water supply and water outlet  
**TEST AND CHECK FOR LEAKS.**

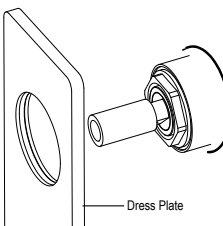


hot shower

cold

**3** Create a 50mm round hole in cement sheet and tiles.

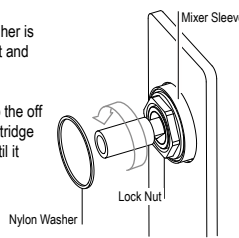
Remove the protective cover. Push the dress plate over the shower mixer assembly gently.



Dress Plate

**4** Ensure that the nylon washer is fitted between the lock nut and the mixer sleeve.

Set the mixer assembly to the off position by turning the cartridge spindle Anti-Clockwise until it stops.



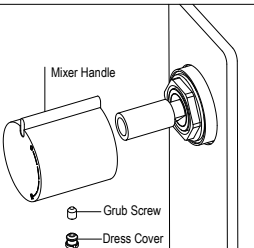
Mixer Sleeve

Nylon Washer

Lock Nut

**5** Push on the mixer handle, fasten the grub screw firmly.

Push on the dress cover.

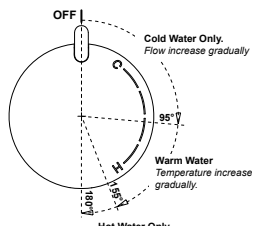


Mixer Handle

Grub Screw

Dress Cover

### Mixer Operation



OFF

Cold Water Only, Flow increase gradually

95°

Warm Water Temperature increase gradually.

180°

Hot Water Only