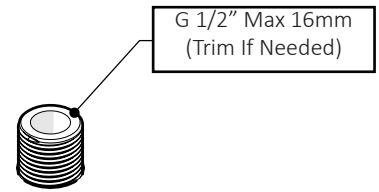


Floor Outlet

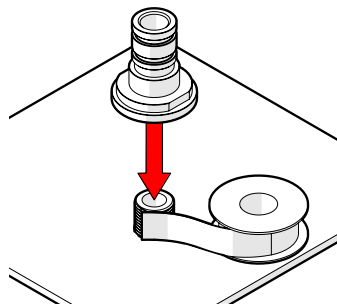
MOUNTING KIT

- 4 x Masonry Anchor Bolts
- 4 x Screw Toggles
- 1 x 2.5mm Allen Key

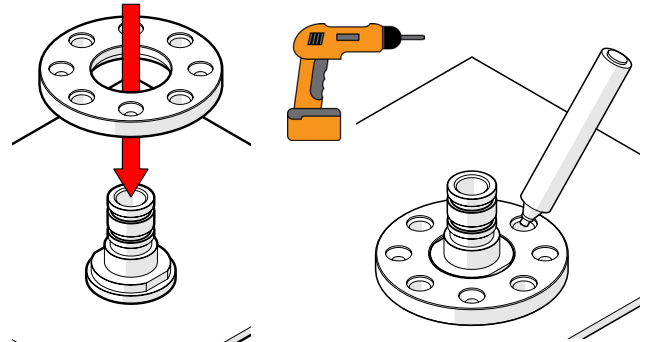
1 Connect G 1/2" Threaded Tail to water supply and ensure tail protrudes above the floor no more than 16mm



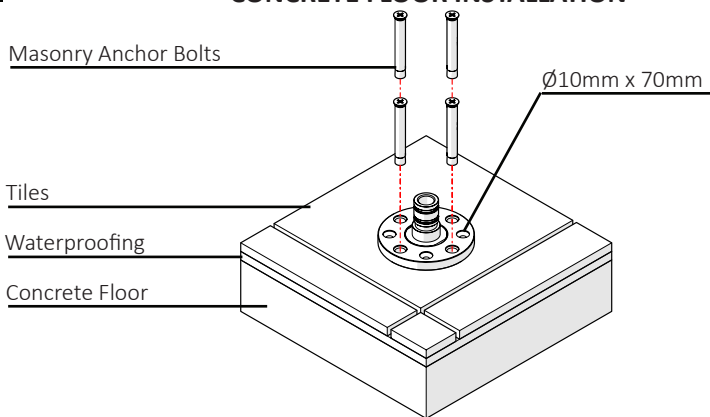
2 Apply Teflon Tape to threaded tail. Install Mounting Spigot as shown.



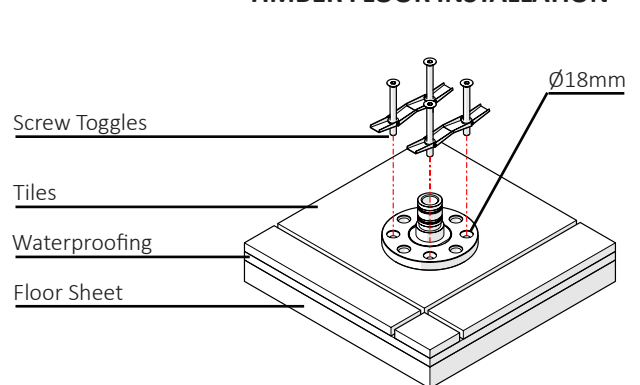
3 Install Mounting plate. Mark out hole locations, Remove plate and drill holes. Reinstall plate and use appropriate fasteners.



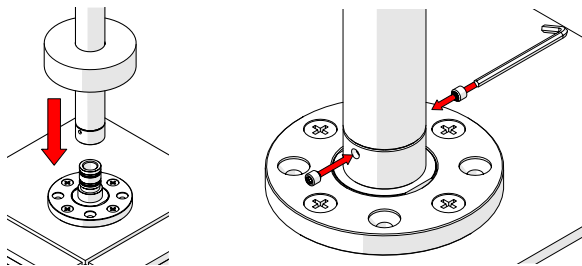
4 CONCRETE FLOOR INSTALLATION



TIMBER FLOOR INSTALLATION



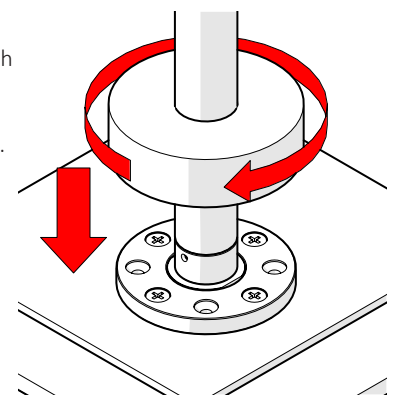
5 Push Floor Spout onto the Mounting Plate and fasten Grub Screws using the 2.5mm Allen Key provided.



6 Install Dress plate.

Remove Aerator and flush lines.

Tests and check for leaks.



Care Details

We recommend the use of soapy water or approved cleaners. This product should not be cleaned with abrasive materials. Damage caused by any improper treatment is not covered by the product warranty. Refer to Warranty Conditions

Installation should comply with Australian standard AS3500.1 or relevant local authority requirements. Showers may not be suitable for use within:

- Gravity-fed water systems
- Some instantaneous hot water systems

Any flow controller incorporated in the outlet to be tightened to prevent removal by hand. As Per AS3718

Plumbers, please ensure a copy of the installation instruction is left with the end user for future reference.

