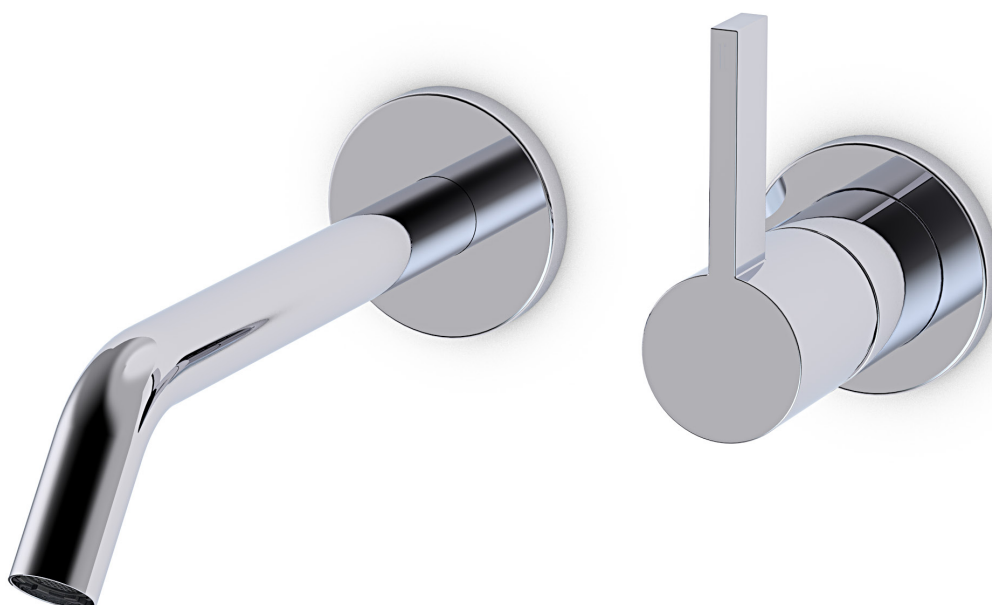


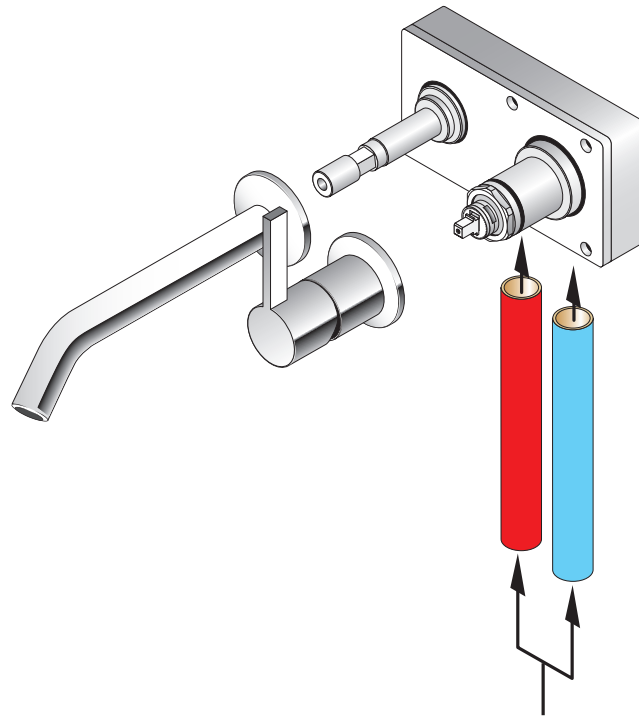
Kartell by LAUFEN



EN This instruction must be given to the user. Guarantee/Liability only when assembled by an approved specialist in accordance with the instructions and local regulations.

EN Important information to be observed before commissioning:

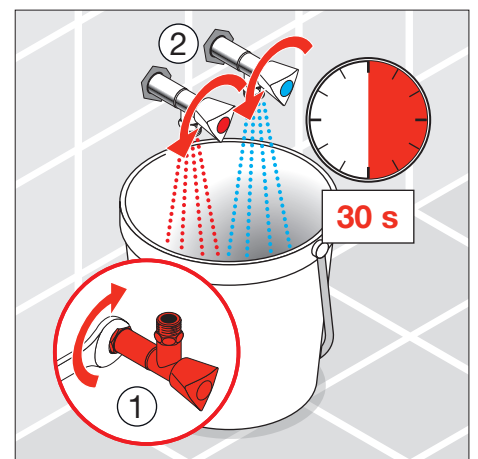
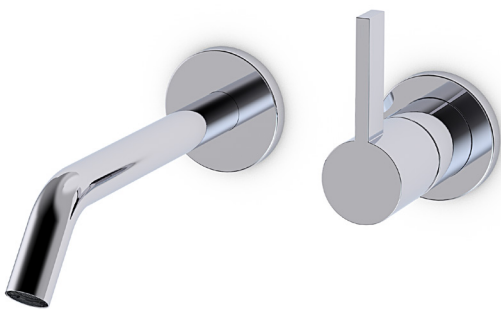
- Use only original parts from LAUFEN.
- A drinking water filter must be fitted in the water supply system.
- LAUFEN accepts no responsibility for malfunctions resulting from incorrect installation or poor water quality.



65° C (max. 80 °C)
2- 4 bar (max. 5 bar)



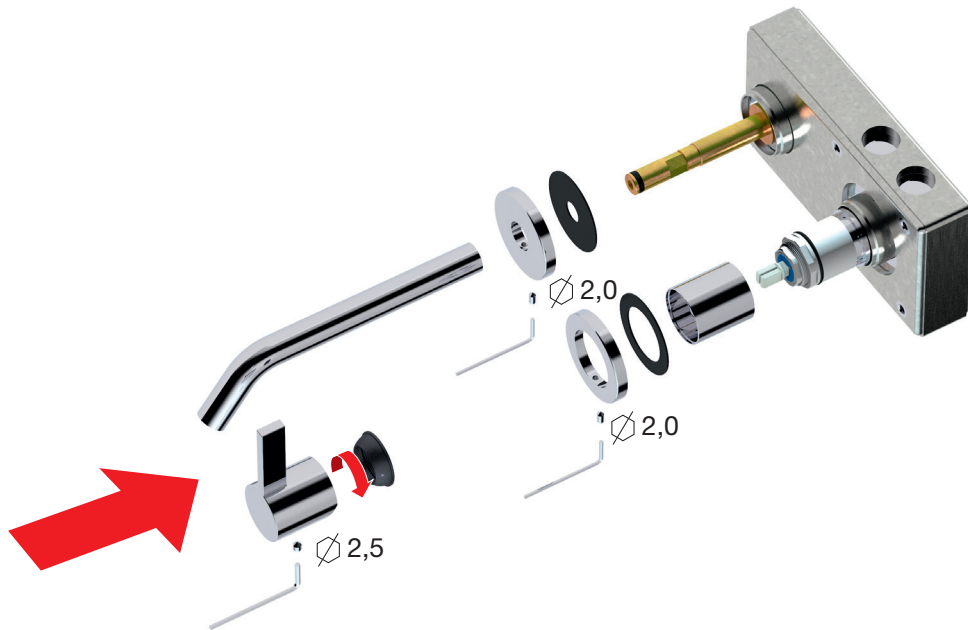
Assembly procedure



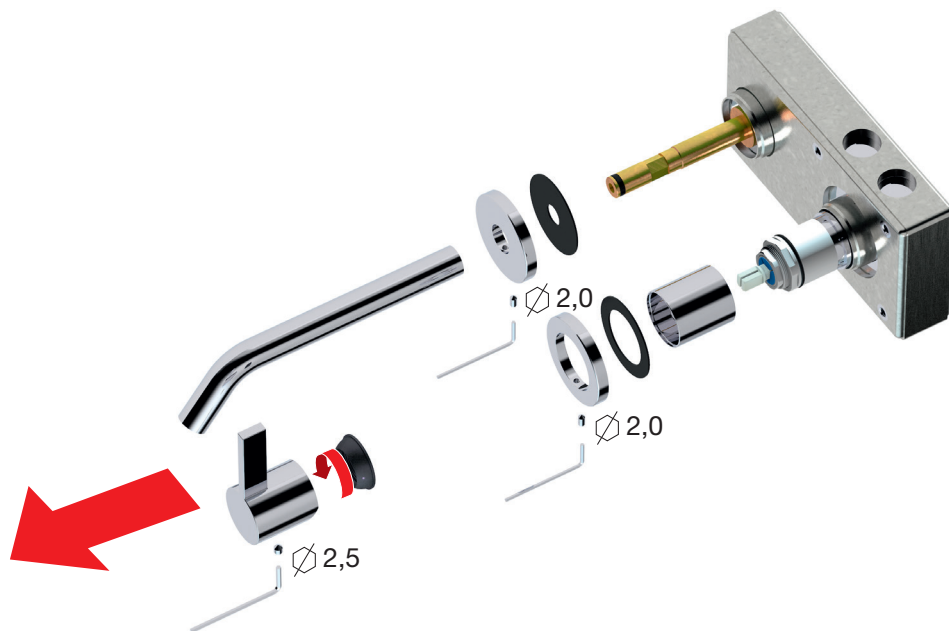
Assembly procedure



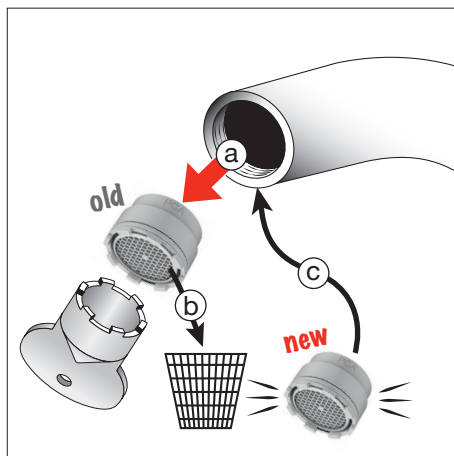
Assembly



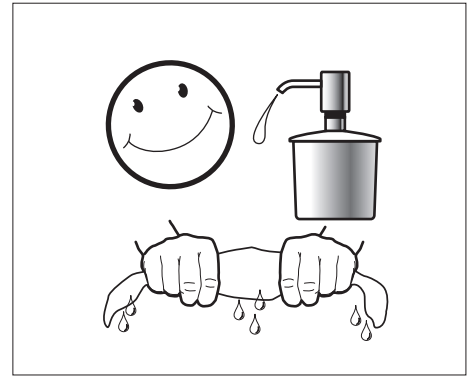
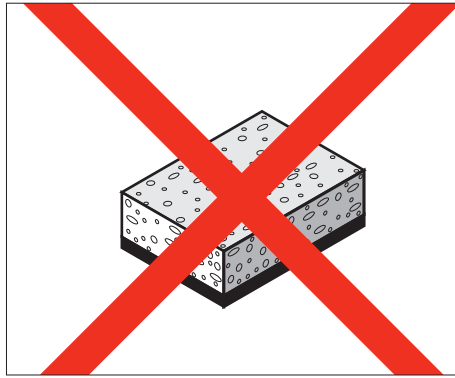
Disassembly



Troubleshooting



Change aerator



EN Maintenance instructions

The surface is simple to clean and care for. The smooth surface hardly accumulates any dirt. Use soft cloth, soapy solution and water for regular care. Wipe with a dry cloth.

Avoid the use of abrasives or solvents, which damage the surface.

Damage caused by inappropriate treatment by the user, is not covered by our guarantee.

LAUFEN

Bathroom Culture since 1892  www.laufen.com

Laufen Bathrooms AG
Wahlenstrasse 46
CH-4242 Laufen, Switzerland
www.laufen.com