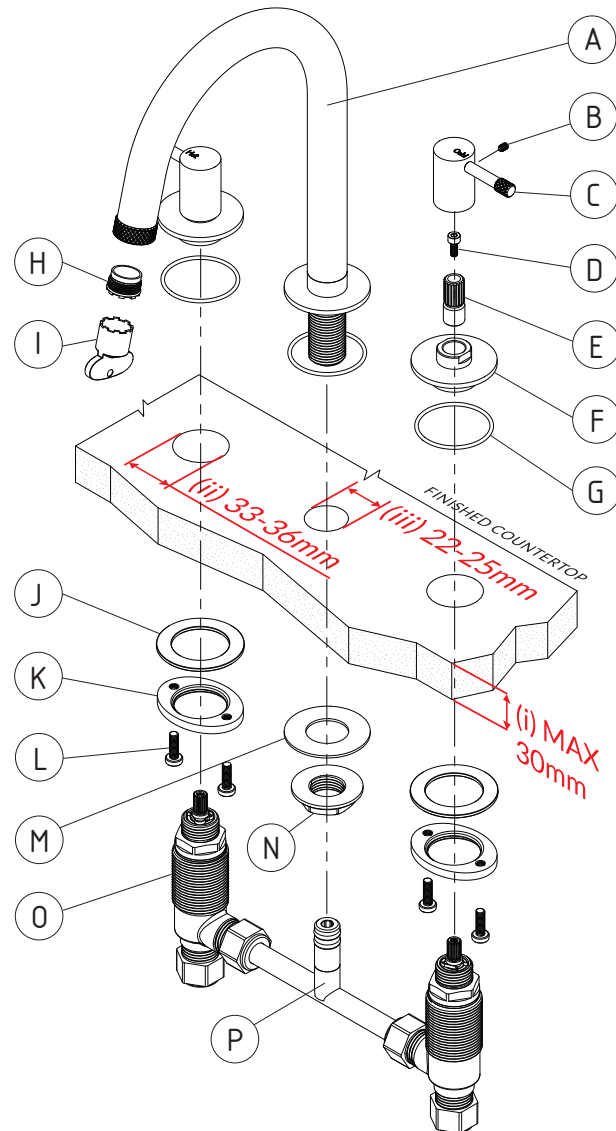


Scala Nova Basin Set

SUSSEX



Product code

SNBS.01

Install Preparation:

- Ensure Maximum bench thickness is (i) 25mm.
- Standard Spindles are supplied pre-installed into basin bodies and do not need to be separated.
- Handle holes should be between (ii) 33mm and 36mm diameter to allow for spindle clearance.
- The clearance hole for the outlet should be between (iii) 22mm and 25mm.
- In order to install the basin bodies under the bench, temporarily unscrew the Outlet Locknut (N) and Washer (M) and set aside.

Product parts:

- (A) Outlet Assembly (Preassembled)
- (B) Set Screw
- (C) Handle Assembly
- (D) Spindle Adaptor Screw
- (E) Spindle Adaptor
- (F) Dress Ring
- (G) Dress Ring O-Ring
- (H) Aerator
- (I) Aerator Key
- (J) Basin Body Clamping Washer
- (K) Basin Body Locknut
- (L) Philips Head Screw
- (M) Outlet Clamping Washer
- (N) Outlet Locknut
- (O) Basin Body Assembly x2 (Preassembled and consisting of Basin Body, H/C Spindles, Fiber Washers and Spindle Locknuts)
- (P) Tee-Piece

Plumbers note:

- Tapware is to be installed by a Licensed Plumber in accordance with AS/NZS 3500:2021
- Recommended working water pressure 300 - 500 Kpa. Maximum water temperature is 65°C
- After installation, ensure that tapware functions correctly without leaks.
- Please ensure a copy of the Installation Instructions are left with the end user for future reference.

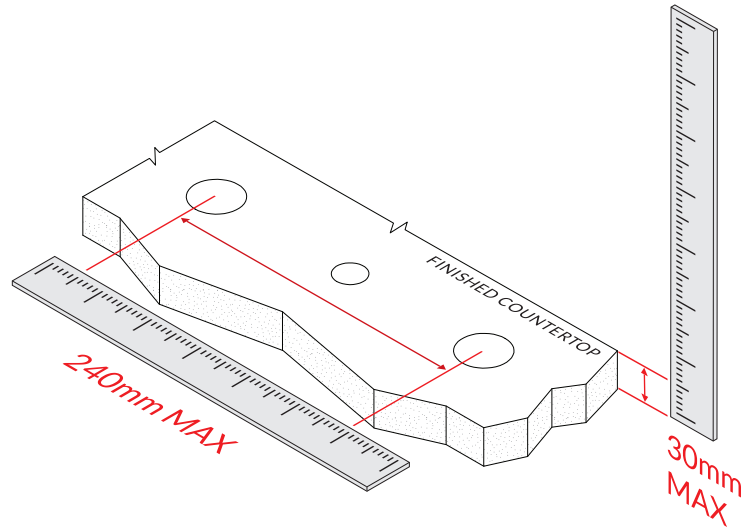


While we aim to ensure the specifications shown are correct at time of printing, Sussex Taps reserves the right to make modifications without prior notice. Always use the physical product for accurate measurements. Dimensions are subject to change without notice. All measurements are shown in millimetres. This product complies with lead free requirements.



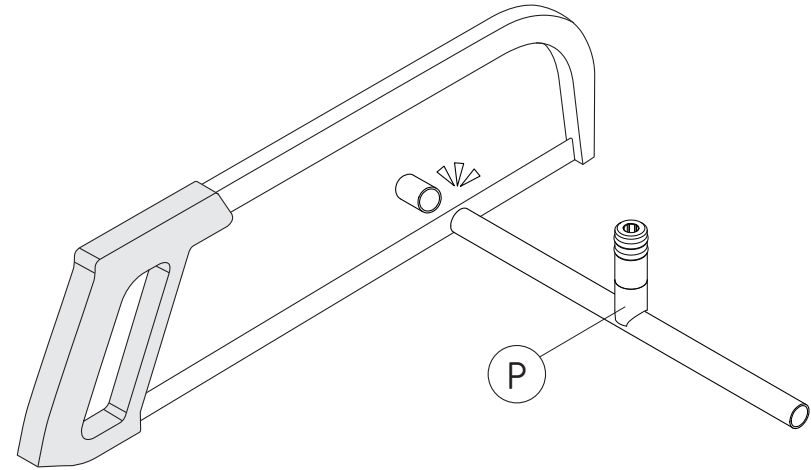
Step 1

Measure Bench top thickness and the distance between tap centers. Maximum bench thickness is 30mm and the maximum distance between tap centers is 240mm.



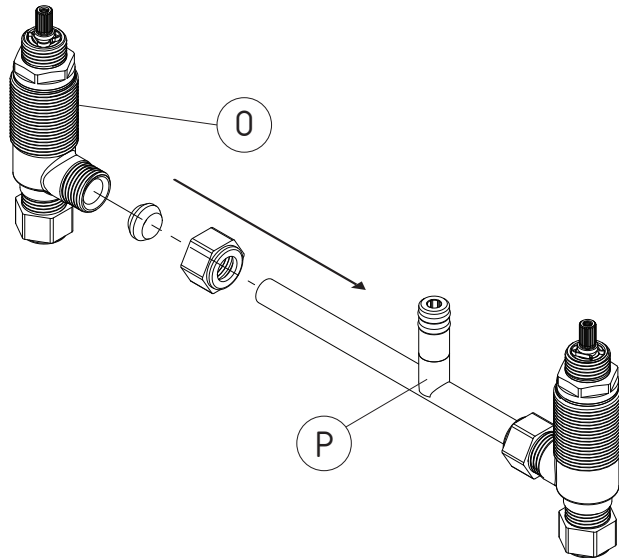
Step 2

Cut if required.



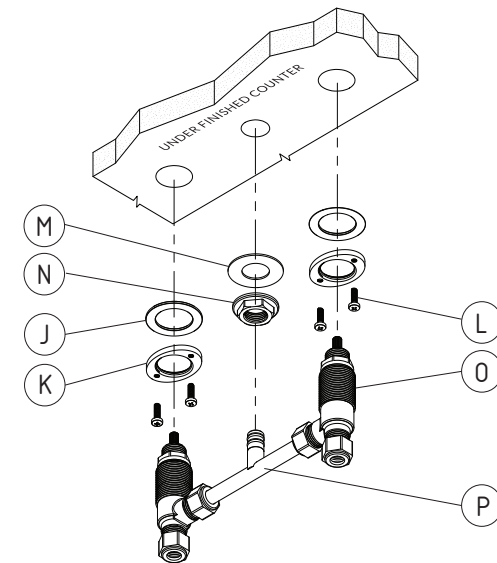
Step 3

Attach Tee-Piece (P) between Basin Body Assemblies (O) using supplied locknuts.



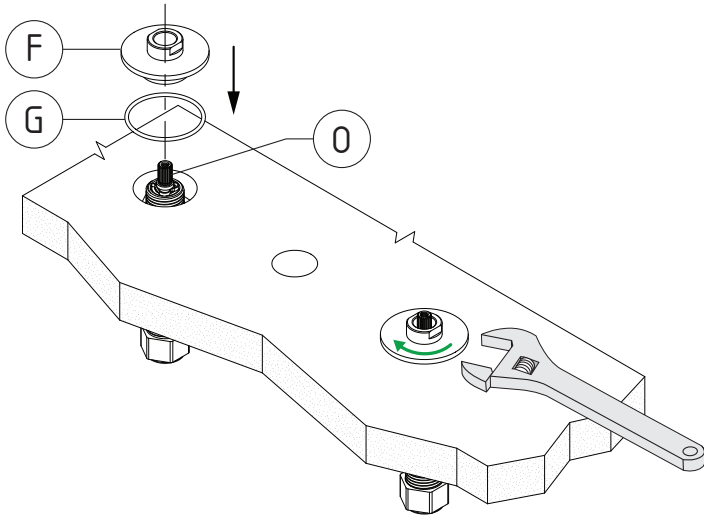
Step 4

Screw 2x Basin Body Locknuts (K) and 2x Basin Body Clamping Washers (J) onto basin bodies and loosely fit the Outlet Locknut (N) and the Outlet clamping washer (M) onto Tee-Piece (P).



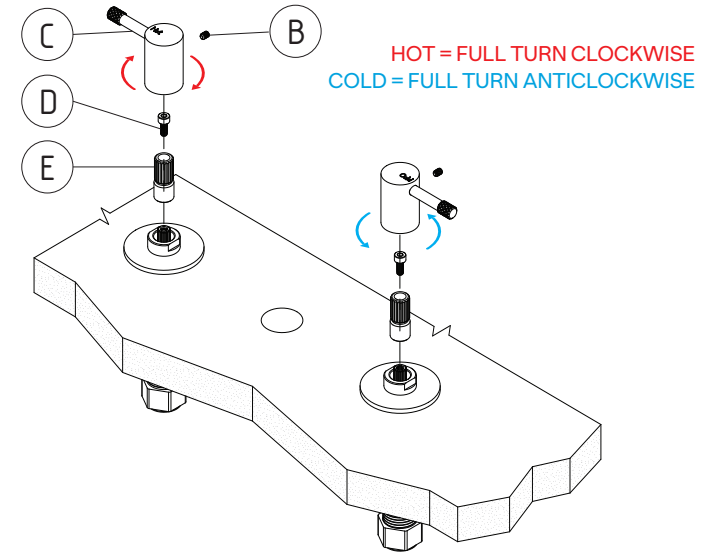
Step 5

On the top of the counter, screw the 2x Basin Body Locknuts (F) with O-rings (G) onto basin bodies (O) tighten both sets above and below the counter. Cocks/Mini Stops, however, these are not supplied.



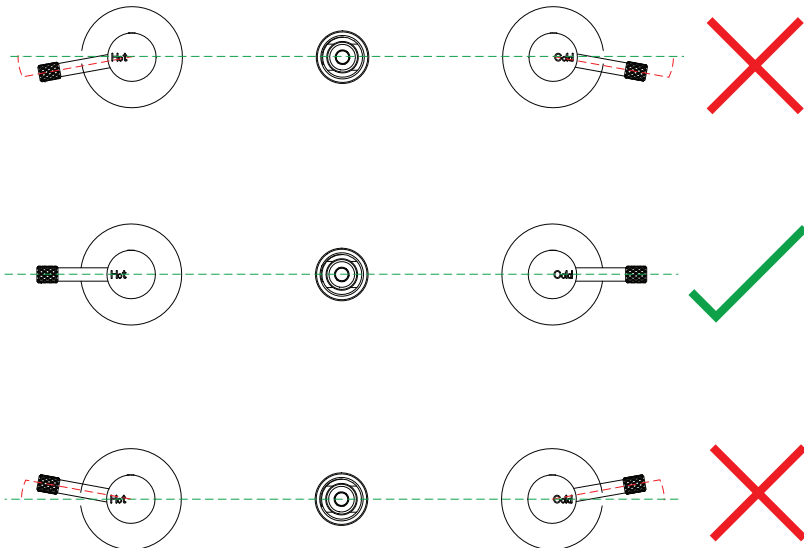
Step 6

Using the Handles (C) and Spindle Adaptors (E) to set both spindles are set to OFF position, do not install Spindle Adaptor Screws (D) at this stage.



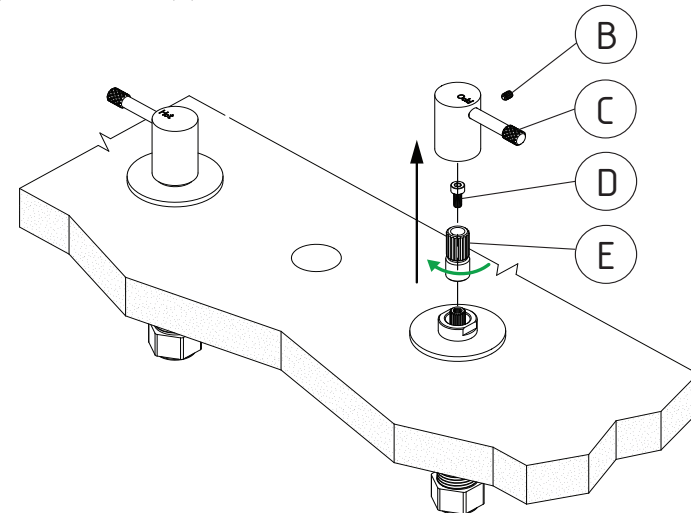
Step 7

Align the Handles (C) horizontally when the spindles are in the OFF position.



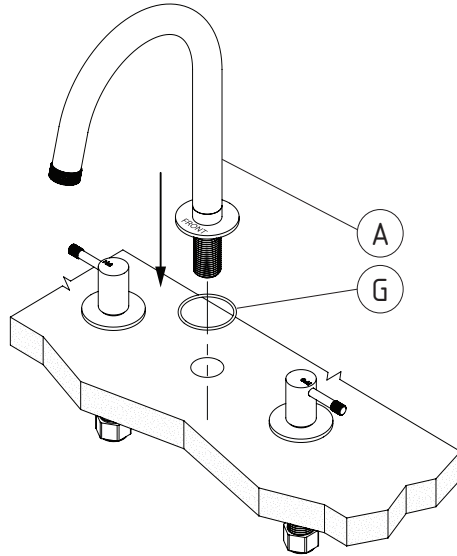
Step 8

Fine adjustments of the handle positions can be achieved by lifting and repositioning the Spindle Adaptors (E). Once satisfied, tighten Spindle Adaptor Screws (D) and secure the Handles (C) with Set Screws (B).



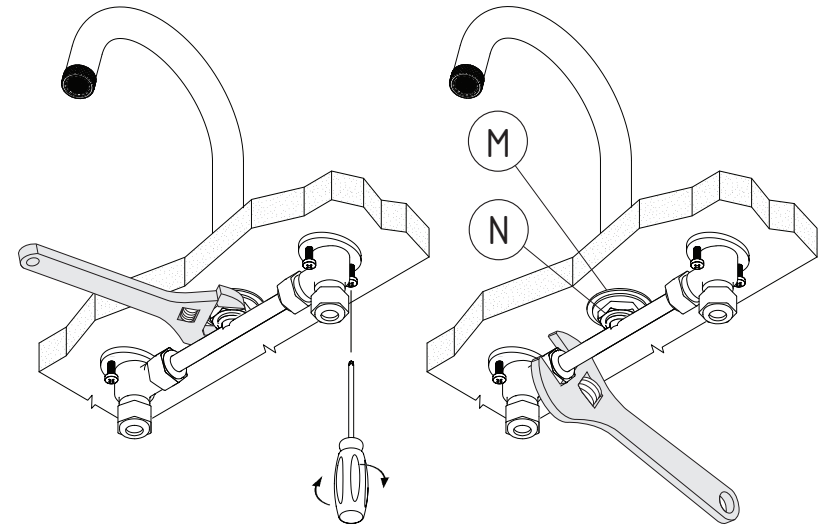
Step 9

Fit Outlet Assembly (A) and O-ring (E) in place and secure below countertop with Outlet clamping washer (F) and the Outlet Locknut (H).



Step 10

Secure the Outlet (A) below the countertop by tightening the Outlet locknut (N) onto the Outlet Clamping Washer (M) with a spanner. Tighten all loose screws and fittings to secure the breach.



Step 11

Connect Hot and Cold supply to the Basin Body Assemblies

