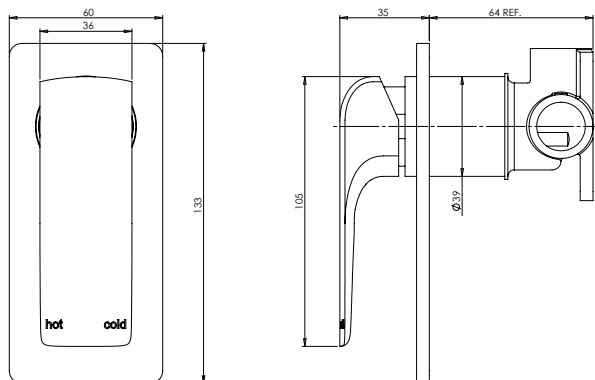


MILLI GLANCE

SHOWER MIXER BLACK



SPECIFICATIONS

Recommended use	Domestic, hotel and commercial
Colour availability	Black
Pressure rating	Maximum continuous operating pressure 1000kPa Note: As per AS3500 pressure must be limited to 500kPA on any new home, extension or renovation. Note: For best performance and longer life we recommend 150 - 500kPa
Temperature Rating	Maximum continuous working temperature 65°
Suitable Hot Water Units	Storage Tank - Yes Continuous Flow - Yes Gravity Feed - Not Recommended
Standards	AS / NZS 3718



To see the complete Milli range go to www.reece.com.au/bathrooms

CLEANING RECOMMENDATIONS

We recommend the use of soapy water or approved cleaners.

This product should not be cleaned with abrasive materials.

Damage caused by improper treatment is not covered by the product warranty - refer to warranty conditions.

Disclaimer: Products in this specification manual must by regulation be installed by licensed and registered trade people. The manufacturer/distributor reserves the right to vary specifications or delete models from their range without prior notification. Dimensions are nominal measurements only. Dimensions and set-outs listed are correct at time of publication however the manufacturer/distributor takes no responsibility for printing errors.

Tech Page Version 1

MILLI GLANCE SHOWER MIXER

INSTALLATION INSTRUCTIONS

MILLI GLANCE SHOWER MIXER INSTALLATION INSTRUCTIONS

Water Supply Requirements

To ensure optimum performance and customer satisfaction please adhere to the following:

- Maximum hot water temperature 75°C.
- Recommended minimum working pressure 150kPa.
- Recommended maximum working pressure 500kPa.

If the water pressure exceeds or is likely to exceed 500kPa, an approved pressure limiting valve must be fitted.

- Flush out all pipe work prior to installation.
- If the water temperature exceeds 75°C an approved tempering valve must be fitted.
- Installation should comply with Australian standard AS3500.1 or relevant local authority requirements.

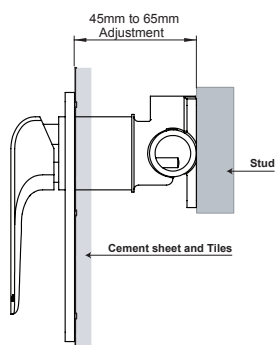
Failure to comply with the above may void all warranties. For details on Phoenix's warranty policy refer to www.phoenixtapware.com.au

Maintenance and Care

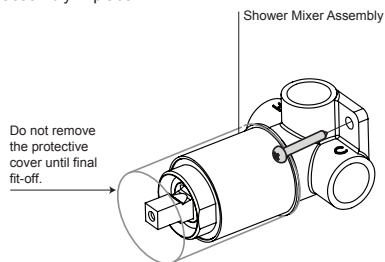
Do not use cleaning agents containing a corrosive acid or scouring agent. Do not use cream cleaners, as they are abrasive. Surfaces should only be cleaned with a cloth and clear water of mild liquid detergent. Use of unsuitable cleaning agents may damage the surface.

Guarantee

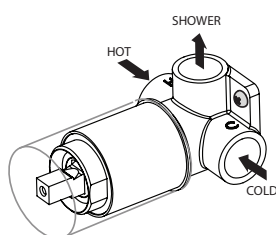
This product is guaranteed against faulty workmanship and materials for 1 year from the date of purchase. Installation must be done by a licensed plumber or this guarantee will be void.



- 1 Screw the shower mixer assembly in place.



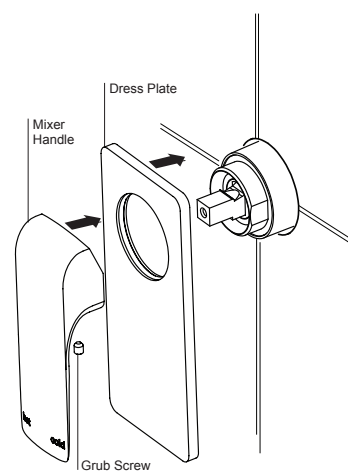
- 2 Attach water supply and water outlet
TEST AND CHECK FOR LEAKS



- 3 Create a 45mm round hole in cement sheet and tiles.

Remove the protective cover.
Push on the dress plate.

Push on the mixer handle and tighten with the grub screw.



IN0130 revA