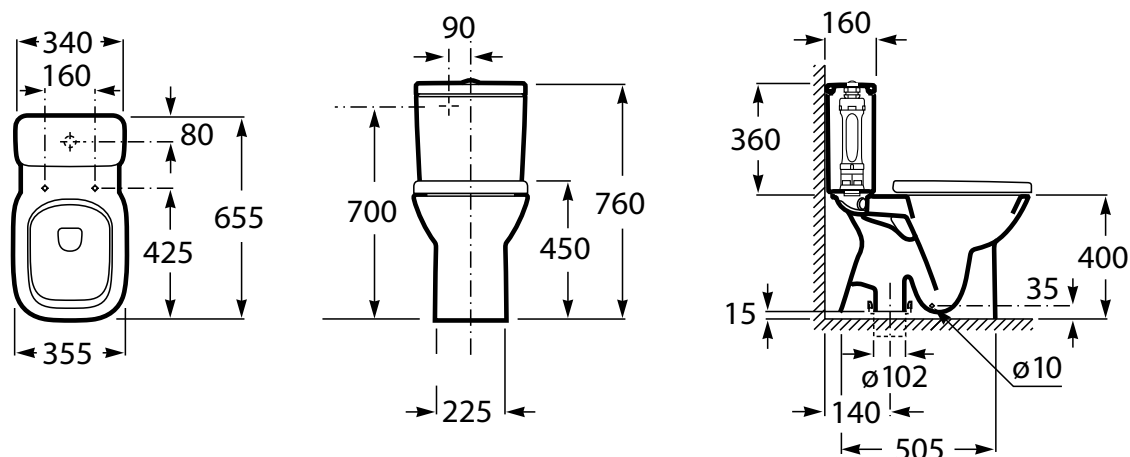


ROCA

DEBBA CLOSE COUPLED S TRAP BACK INLET



THIS SUITE CANNOT BE USED WITH 40mm OFFSET PAN COLLAR

Dimensions are nominal measurements only.

SPECIFICATIONS

Recommended use	Domestic, Hotel & Commercial
Material	Pan & Cistern: Vitreous China Seat: Urea
Colour	White
Weight	Pan: 27Kg Cistern: 12 Kg
Water Inlet	Back Inlet
Inlet Valve	Recommended maximum working pressure 1000 kPa
Bowl configuration	S Trap
Rim Configuration	Box Rim
Seat	Soft Close Quick Release Seat
Cistern Fixing	Bolted directly to Pan
Pan fixing	Screwed to the floor using brackets and bedded with sealant



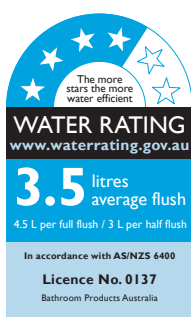
To see the complete ROCA range go to
www.reece.com.au/bathrooms

CLEANING RECOMMENDATIONS

We recommend the use of soapy water or approved cleaners.

This product should not be cleaned with abrasive materials.

Damage caused by any improper treatment is not covered by the product warranty. Refer to Warranty Conditions.



Disclaimer: Products in this specification manual must by regulation be installed by licensed and registered trade people. The manufacturer/distributor reserves the right to vary specifications or delete models from their range without prior notification. Dimensions are nominal measurements only. Dimensions and set-outs listed are correct at time of publication however the manufacturer/distributor takes no responsibility for printing errors.

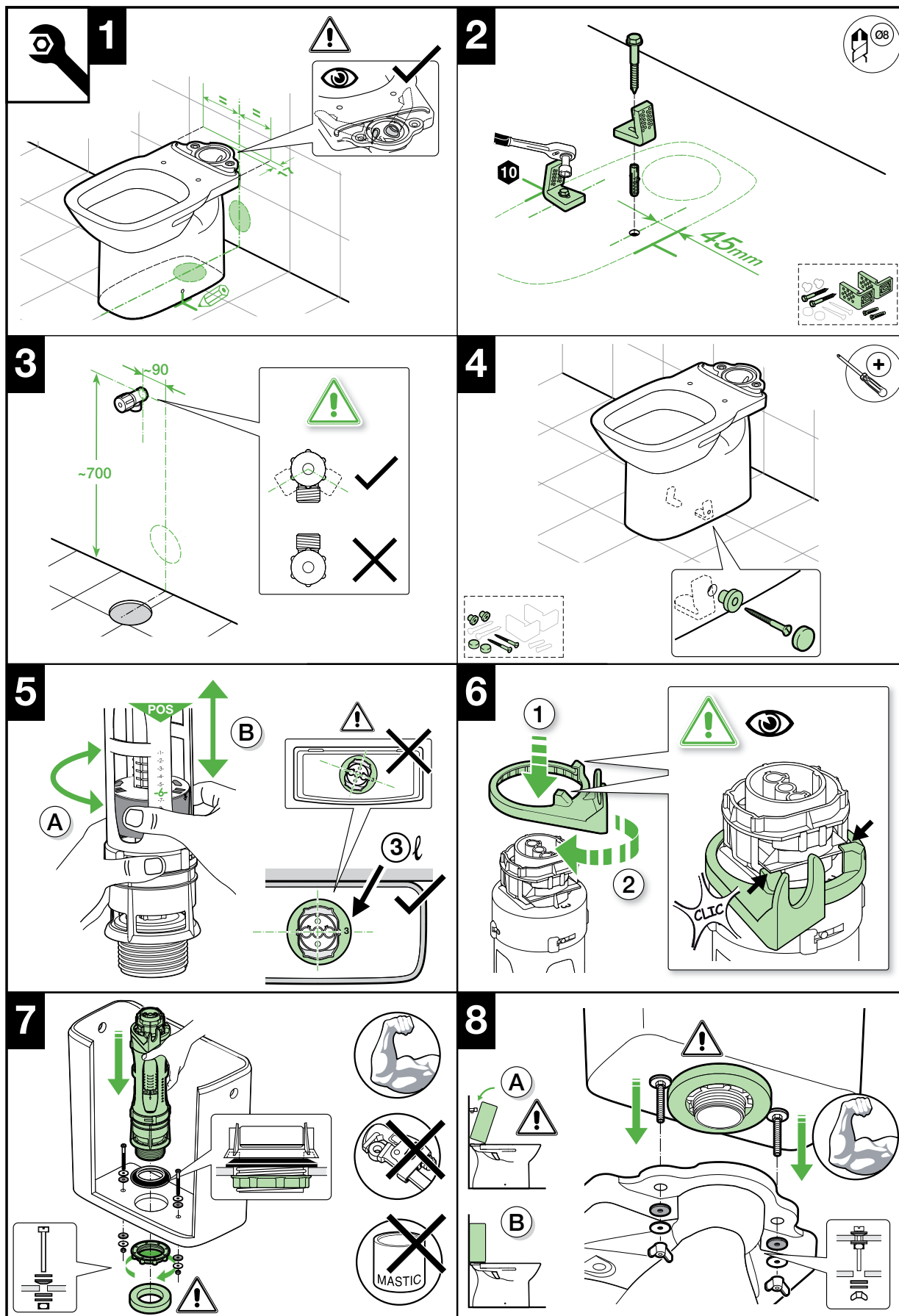
Tech Page Version 1



ROCA

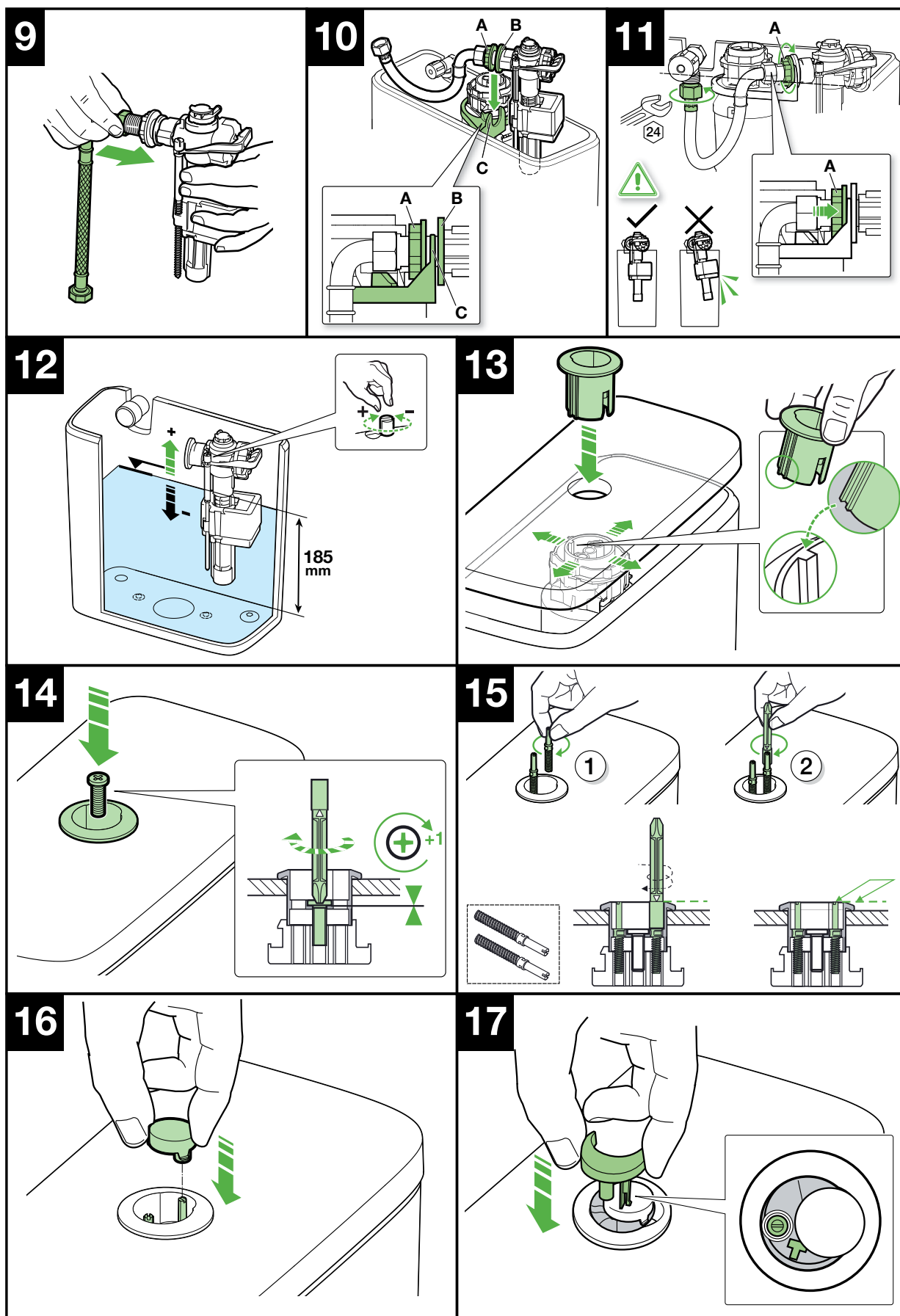
DEBBA CLOSE COUPLED S TRAP BACK INLET

INSTALLATION INSTRUCTIONS



Plumbers, please ensure a copy of the installation instructions is left with the end user for future reference

ROCA

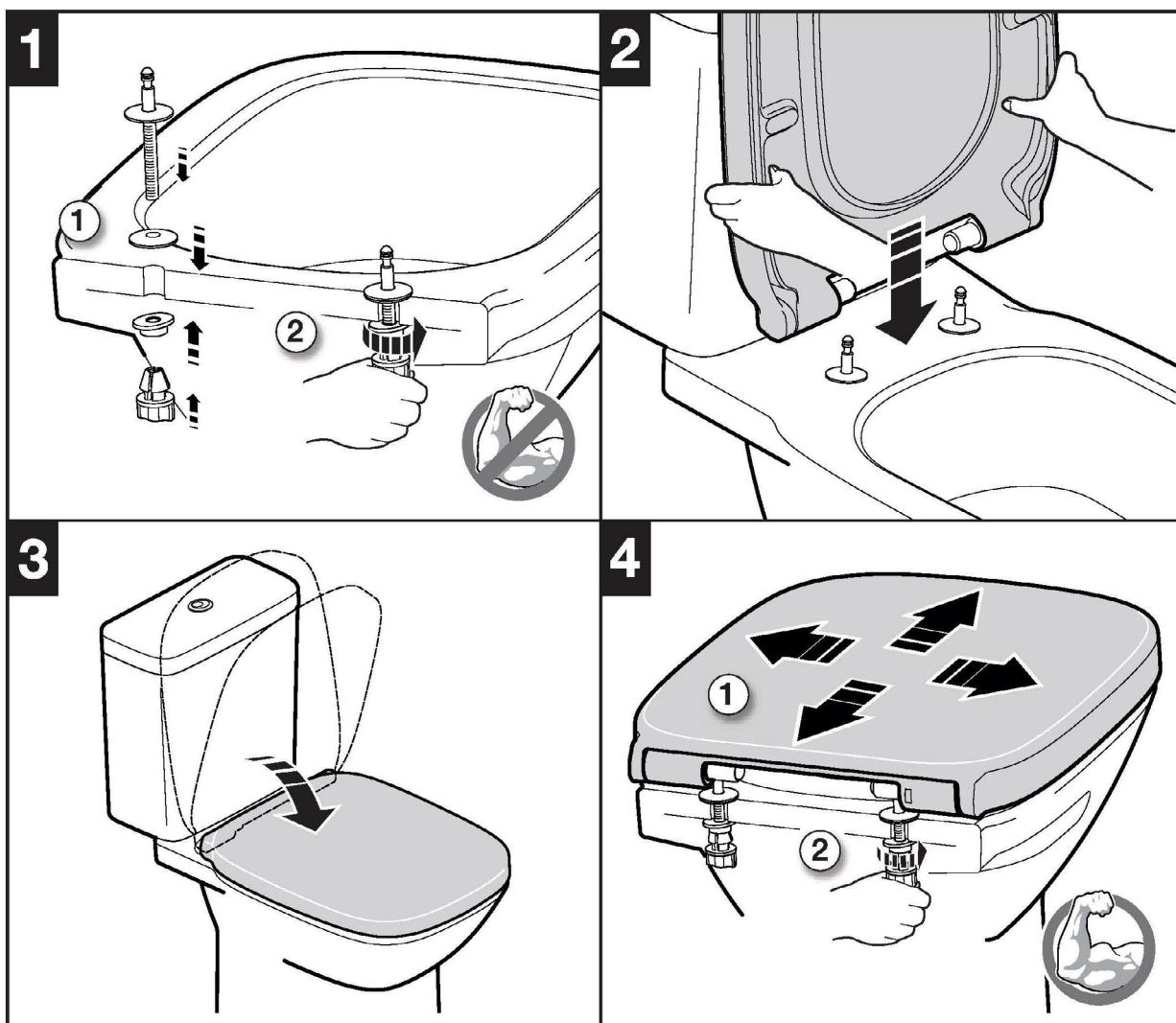
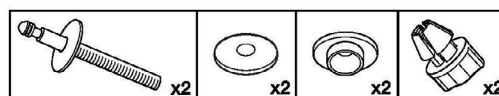
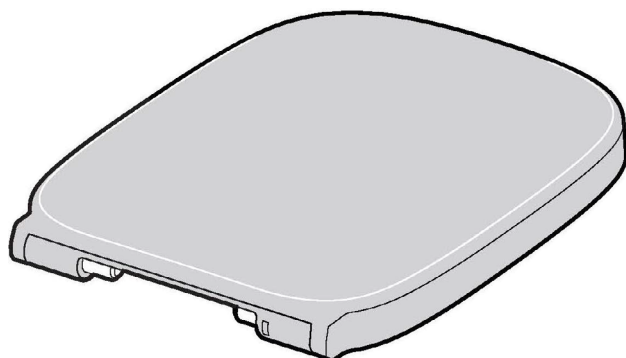
DEBBA CLOSE COUPLED S TRAP BACK INLET**INSTALLATION INSTRUCTIONS**

Plumbers, please ensure a copy of the installation instructions is left with the end user for future reference

ROCA

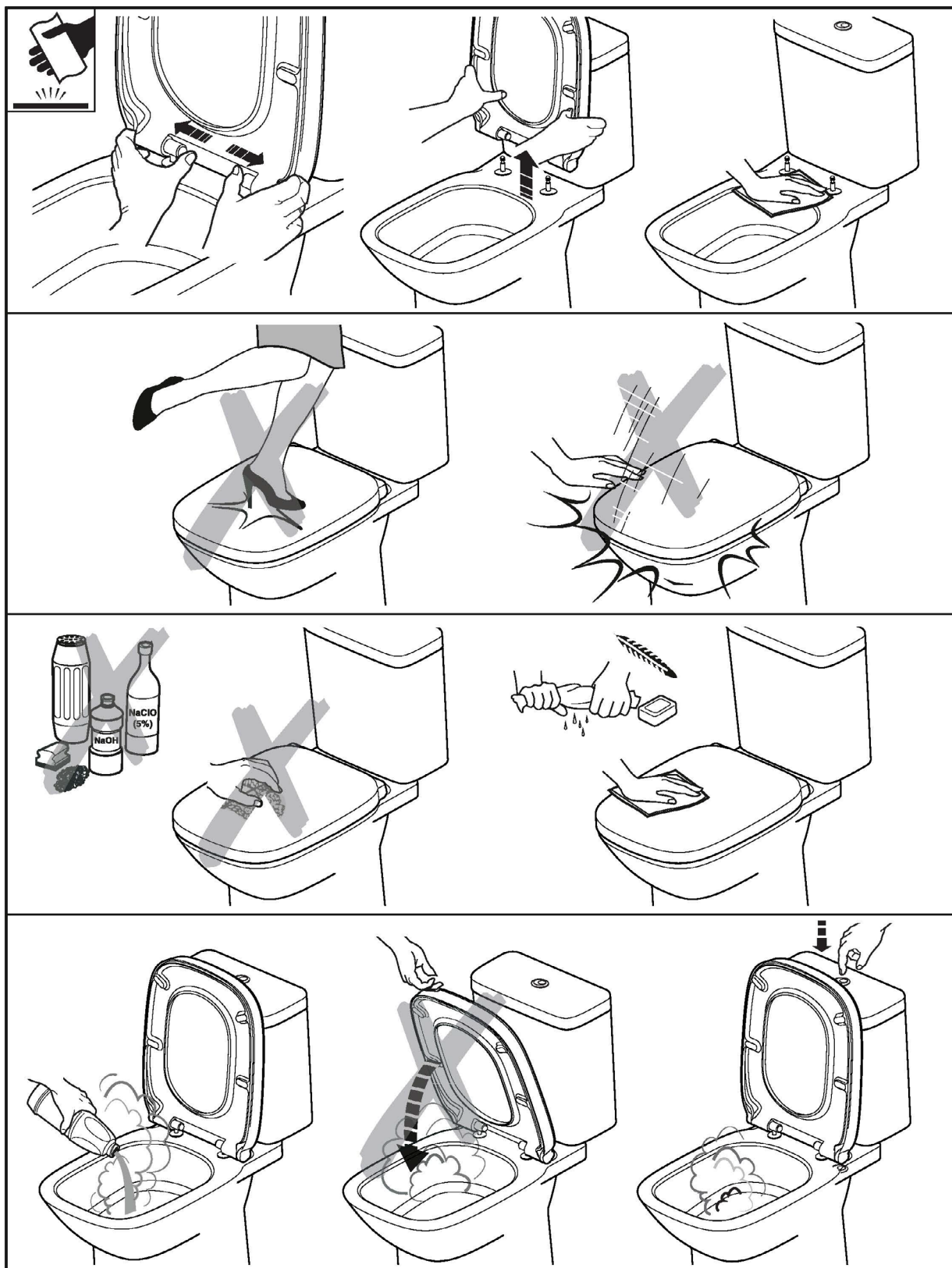
DEBBA CLOSE COUPLED S TRAP BACK INLET

INSTALLATION INSTRUCTIONS - SEAT



Plumbers, please ensure a copy of the installation instructions is left with the end user for future reference





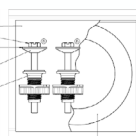
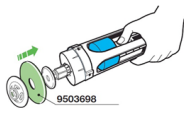



ROCA

DEBBA CLOSE COUPLED S TRAP BACK INLET**MAINTENANCE - SEAT**

Plumbers, please ensure a copy of the installation instructions is left with the end user for future reference

ROCA

DEBBA CLOSE COUPLED S TRAP BACK INLET**SPARE PARTS**

Image	Reece Code	Product Description	Part Number
	9503600	ROCA DUAL FLUSH BUTTONS - AH0001800R	AH0001800R
	9506264	ROCA O/L VALVE D4D W/INLET HOLD BRKT	AH0009000R
	9503598	ROCA INLET VALVE FLUIDMASTER 747L	A82209630R
	9506260	ROCA FLOOR PAN BRACKET FIXING KIT	AV0009400R
	9506603	ROCA CISTERN TO PAN FIXATION KIT AV0028800R	AV0028800R
	9503698	ROCA OUTLET VALVE SEAL WASHER AH0007100R	AH0007100R
	9505407	DEBBA SOFT CLOSE SEAT WHITE/CHROME	A80R9B2001
	9506351	ROCA SEAT HINGE SET WY911800711001	WY911800711001
	9506350	ROCA SEAT BUFFER SET WY911801414001	WY911801414001

Plumbers, please ensure a copy of the installation instructions is left with the end user for future reference