

Scala Nova Horizontal Shower

SUSSEX

Product code

SNHS

Install Preparation:

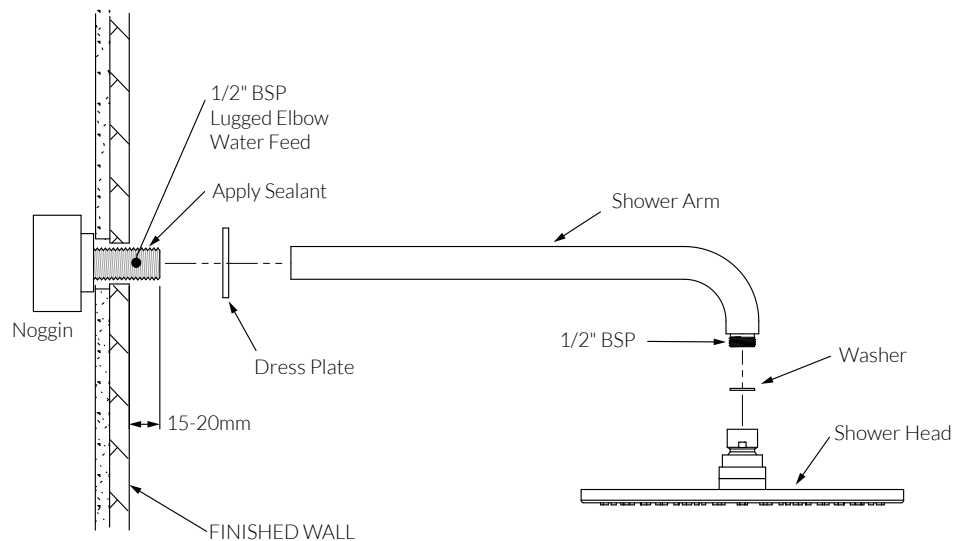
- Ensure all parts are accounted for.
- A flow controller has been incorporated within the shower head, care is to be taken during installation not to damage the flow controller when fitting the shower.
- This shower is suitable for High Pressure applications. This shower may not be suitable for use with Gravity-fed water heaters, low and unequal pressure supply networks.

Fit Off:

- Flush water lines prior to fitting the shower.
- Ensure the wall penetration is sealed prior to connecting any fittings.
- Apply thread tape or appropriate sealant to 1/2" BSP Water Feed's thread.
- Place dress ring over Water Feed thread and fit the Shower Arm.
- Spin on Shower Head, use a spanner to tighten. Ensure the rubber washer is seated properly.
- To complete the installation, test shower flow and check for any leaks.

Plumbers note:

- Shower is to be installed by a Licensed Plumber in accordance with AS/NZS 3500:2021
- Recommended working water pressure 300 - 500 Kpa. Maximum water temperature is 65°C
- After installation, ensure that shower functions correctly without leaks.
- Please ensure a copy of the Installation Instructions are left with the end user for future reference.




AS/NZS 3718:2005
LIC. 20081

While we aim to ensure the specifications shown are correct at time of printing, Sussex Taps reserves the right to make modifications without prior notice. Always use the physical product for accurate measurements. Dimensions are subject to change without notice. All measurements are shown in millimetres.



www.reece.com.au

Copyright © Sussex Taps