

TOMSON THERMOSTATIC MIXING VALVE WITH RECESS BOX

SPECIFICATIONS

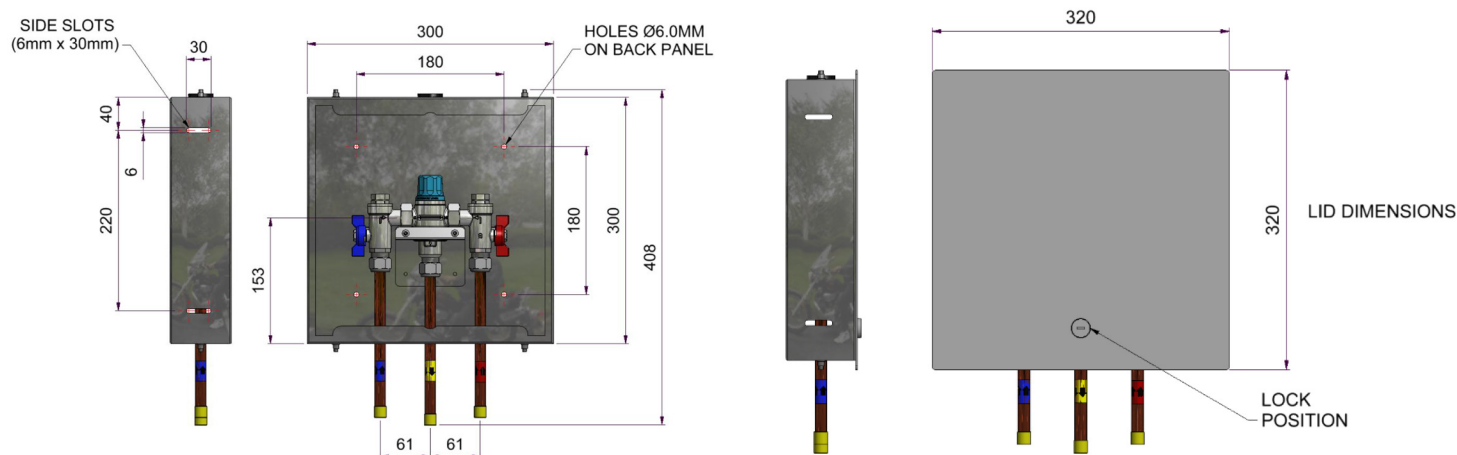
Recommended use	Thermostatic Mixing Valves are a safe and reliable way to control water temperature.
Reece Product Code and Description	112388 TOMSON TMV T160 W/REC BOX 15MM 112394 TOMSON TMV T160 W/REC BOX 20MM
Hot Temp. Supply Range	55°C - 90°C
Cold Temp. Supply Range	5°C - 30°C
Operating Temp. Range	35°C - 50°C
Factory Set Temp. Range	43 +/- 2°C
Max. Supply Pressure	1600kPa
Minimum Flow Rate	4L/min
Minimum Temp Differential	10°C
Warranty (See below)	2 Years product warranty
Standards	AS 4032.1-2005
Standards Lic. No.	WMKA1538
Installation	<p>The valve may be installed with the outlet positioned on either end of the cabinet.</p> <p>To position the outlet opposite to the inlets:</p> <ol style="list-style-type: none"> 1. Remove the blanking grommet from the hole 2. Insert the hollow grommet 3. Face the valve outlet opposite to the inlets 4. Insert the copper pipe through the hollow grommet and fix to valve outlet with the supplied compression nut and olive.



PHYSICAL SPECIFICATIONS

Surface Finish	Nickle plated body and fittings
-----------------------	---------------------------------

PRODUCT CONFIGURATION AND DIMENSIONS



Disclaimer Products in this specification manual must by regulation be installed by licensed and registered trade people. The manufacturer/distributor reserves the right to vary specifications or delete models from their range without prior notification. Dimensions and set-outs listed are correct at time of publication however the manufacturer/distributor takes no responsibility for printing errors.

TOMSON THERMOSTATIC MIXING VALVE WITH RECESS BOX



REECE PRODUCT QUALITY GUARANTEE

You have purchased a quality product from Reece Australia Pty Ltd ABN 84 004 097 090 ("Reece"). This product is covered by a 2 year product warranty.

2 YEAR WARRANTY

This warranty covers faults in the product construction, material and assembly. Products which are within 2 years from the date of purchase, found upon inspection by an authorised Reece representative, to be defective in construction, material or assembly, will be repaired or exchanged with an equivalent product free of charge. Replaced items become Reece's property.

All replacement products will be available for collection without charge to the customer at the nearest Reece branch to the customer's location, or elsewhere as agreed between the customer and Reece.

Warranty Conditions

This warranty will apply only under all of the following conditions:

- The item has been installed by a licensed plumber
- Failure is due to a fault in the manufacture of the product
- Proof of purchase (including the date of purchase) is provided
- The installation of the product is in accordance with the instructions provided

This warranty does not cover products purchased as an ex-display without being fully checked and tested for sale by the manufacturer.

This warranty does not include faults caused by:

- Unsuitable or improper use
- Incorrect installation or installation not in accordance with the instructions provided
- Installation or part installation by the purchaser or any person other than a LICENSED PLUMBER or tradesperson licensed to install this product.
- Normal wear and tear
- Inadequate or complete lack of maintenance
- Chemical, electrochemical or electrical influences
- Harsh detergents or abrasive cleaners used on product finishes

EXCLUSIONS

To the fullest extent permitted by law, Reece excludes all liability for damage or injury to any person, damage to any property, and any indirect consequential or other loss or damage.

CLAIM PROCEDURE

For all warranty queries customers are to contact the branch where the product was purchased. These details can be found on your purchase invoice.

Our goods come with guarantees that cannot be excluded under the Australian Consumer Law. You are entitled to a replacement or refund for a major failure and for compensation for any other reasonably foreseeable loss or damage. You are also entitled to have the goods repaired or replaced if the goods fail to be of acceptable quality and the failure does not amount to a major failure.

Plumbers/Contractors, please ensure a copy of the installation instructions is left with the end user for future reference.

Don't risk it, use a licensed plumber.™