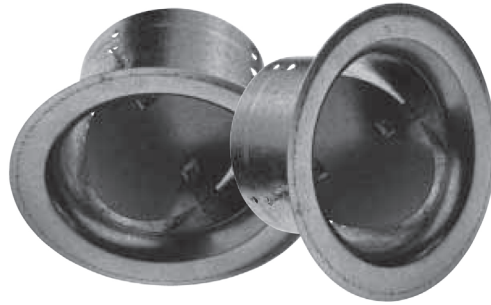
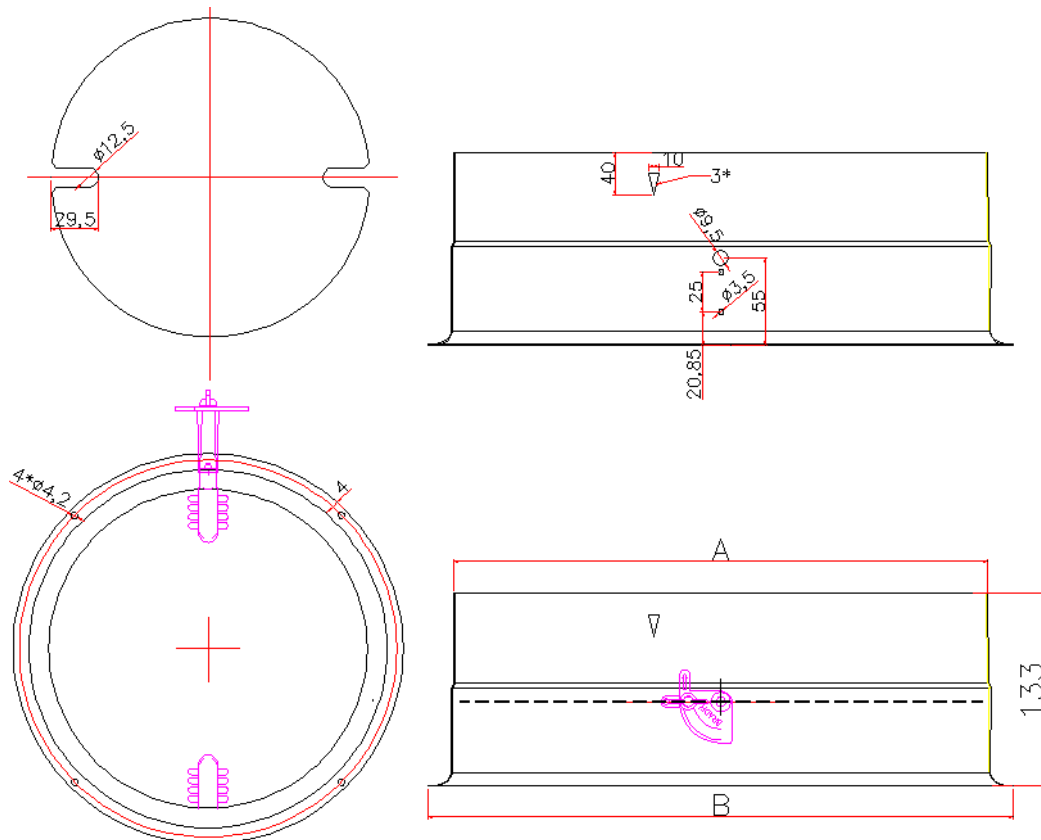


## Bellmouth Spigots & Dampers



The bellmouth spigot and damper is a high efficiency, energy saving product suitable for both high and low velocity applications. The spigot is manufactured from galvanised steel.



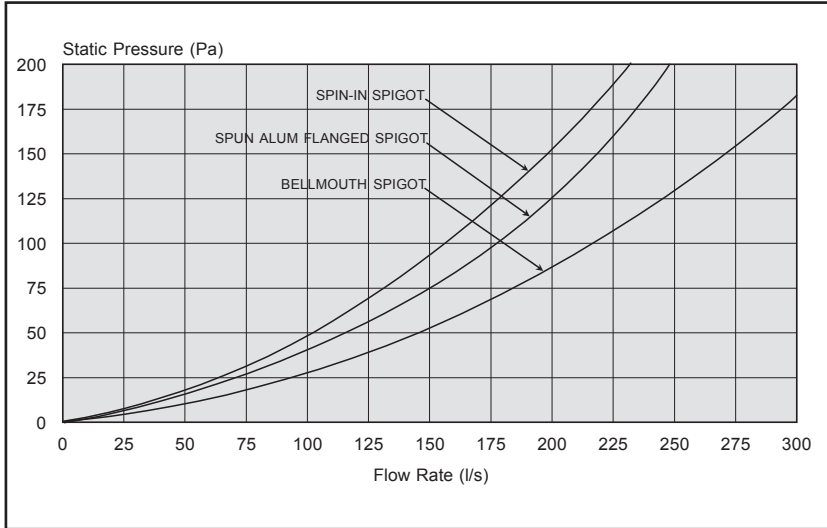
Product	Product Description	A mm	B mm
1610411	BELLMOUTH SPIGOT & DAMPER 150MM	150	195
1610412	BELLMOUTH SPIGOT & DAMPER 200MM	200	245
1610413	BELLMOUTH SPIGOT & DAMPER 250MM	250	295
1610414	BELLMOUTH SPIGOT & DAMPER 300MM	298	343
1610415	BELLMOUTH SPIGOT & DAMPER 350MM	350	395
1610416	BELLMOUTH SPIGOT & DAMPER 400MM	400	445

**Disclaimer:** Products in this specification manual must by regulation be installed by licensed and registered trade people. The manufacturer/distributor reserves the right to vary specifications or delete models from their range without prior notification. Dimensions are nominal measurements only. Dimensions and set-outs listed are correct at time of publication however the manufacturer/distributor takes no responsibility for printing errors.



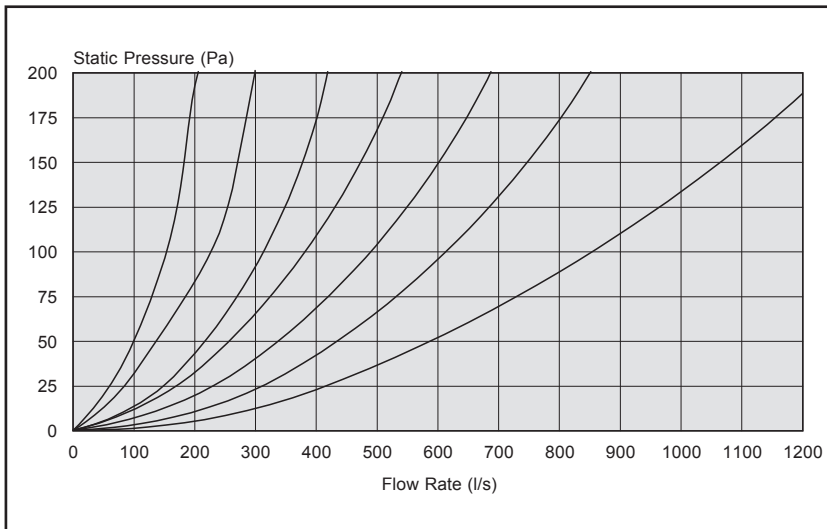
## Bellmouth Spigots & Dampers

Performance comparison (150mm duct)



Comparative static pressure/air-flow tests indicate that the bellmouth spigot is over 20% more efficient than equivalent spun aluminium or steel flanged spigots or spin-in spigots.

Performance data



The performance data for the bellmouth spigots has been based on tests undertaken without ducting attached. The additional pressure drop resulting from the flexible ducting needs to be accounted for in the final calculations.