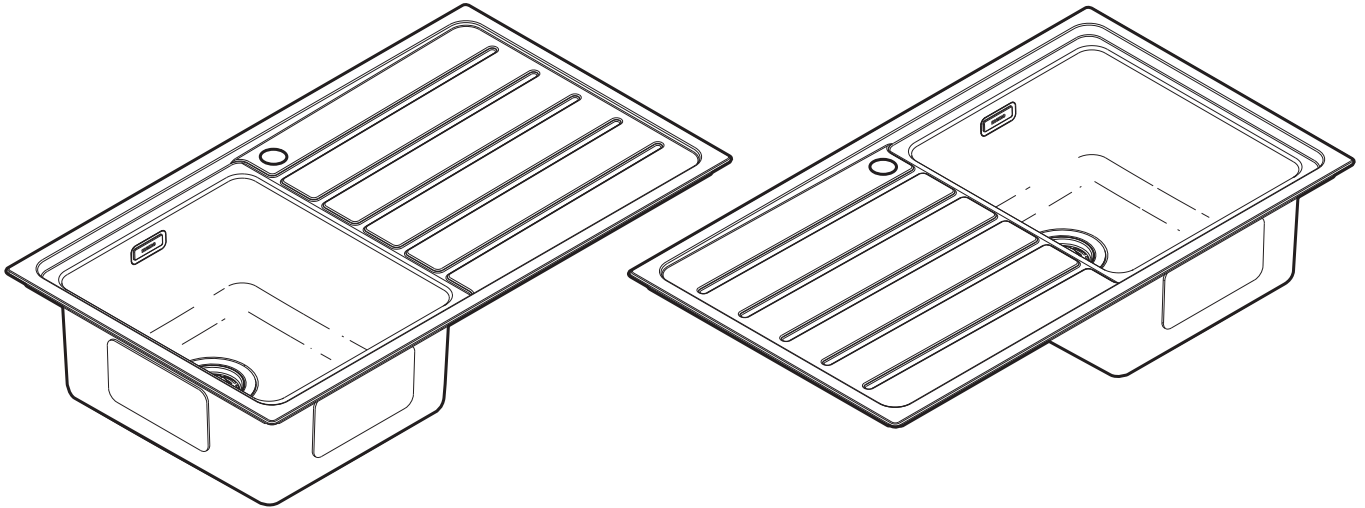


## Memo Oscar Single Bowl Drain Sink Overflow 1 Taphole



### Compliance

Important



Comply with current Drainage and Plumbing Regulations as required by your local authority. Sanitary plumbing shall only be carried out by a Registered Plumber. All plumbing work must be done in accordance with local and national building and plumbing codes as applicable.

### Installation Precautions

Important



Do not leave any debris, residue or tools that may cause damage to sink surface during or after installation.

Important



Only use approved cleaners or products that are recommended for cleaning and maintenance of stainless steel sinks.

### Prior To Installation

Important



Check Bowl for any defects or signs of damage. Do not install if defects or damage found.

Important

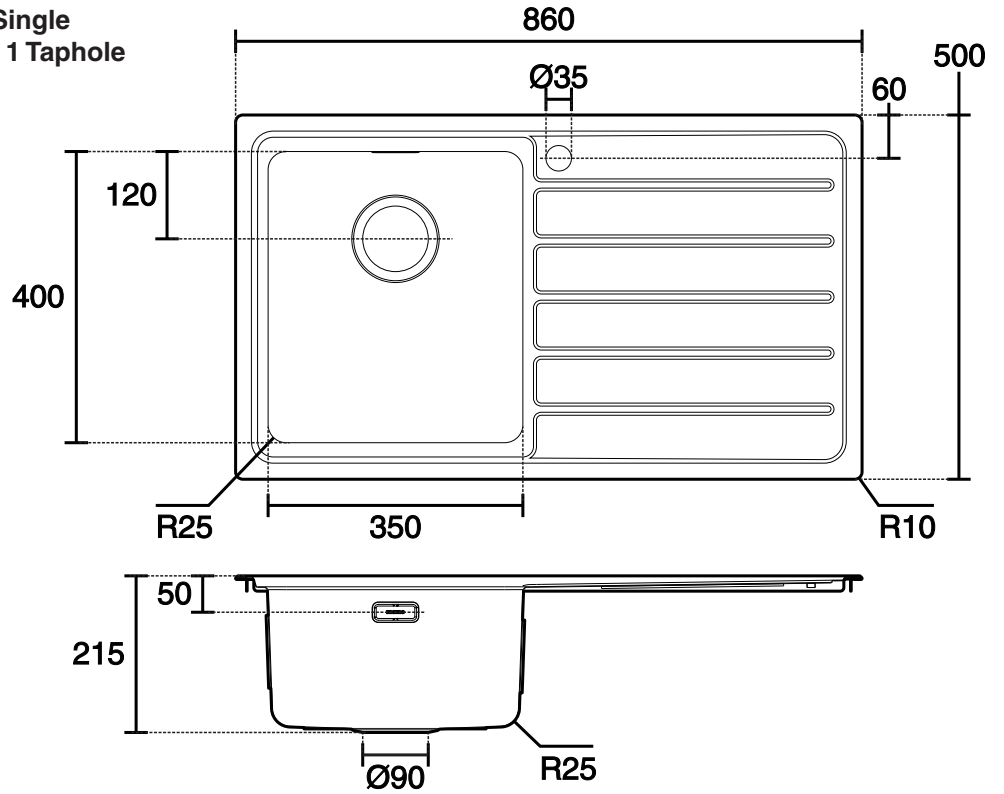


Determine position that Bowl will be installed.

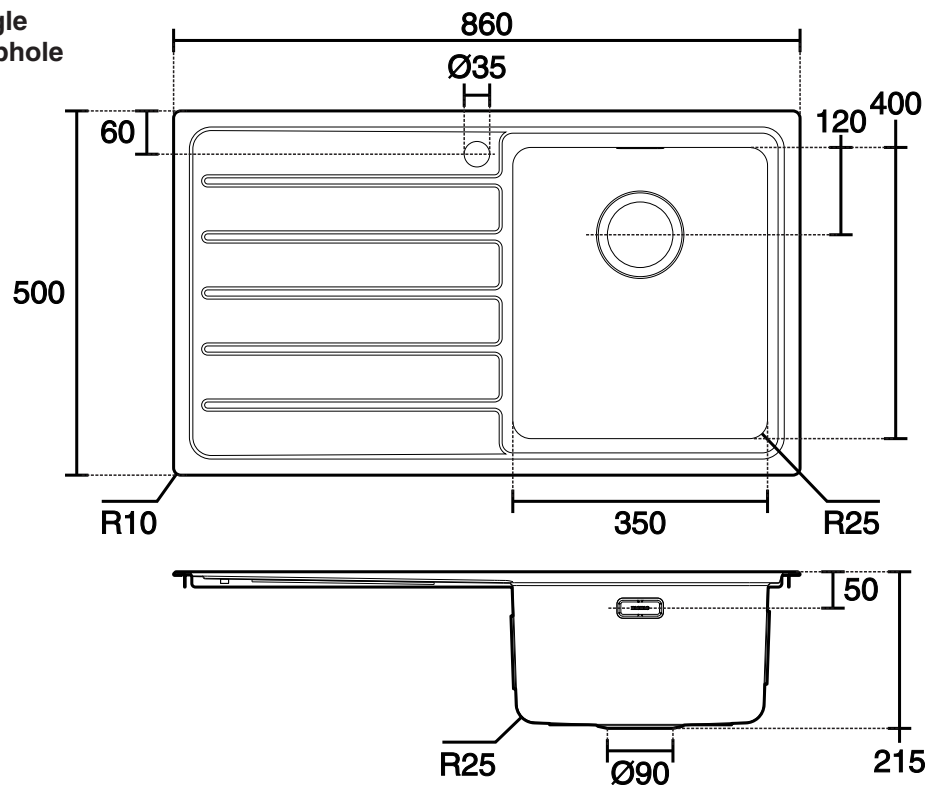
# Memo Oscar Single Bowl Drain Sink Overflow 1 Taphole

## Diagram

Memo Oscar Inset Left Hand Single Bowl & Drainer Sink Overflow 1 Taphole

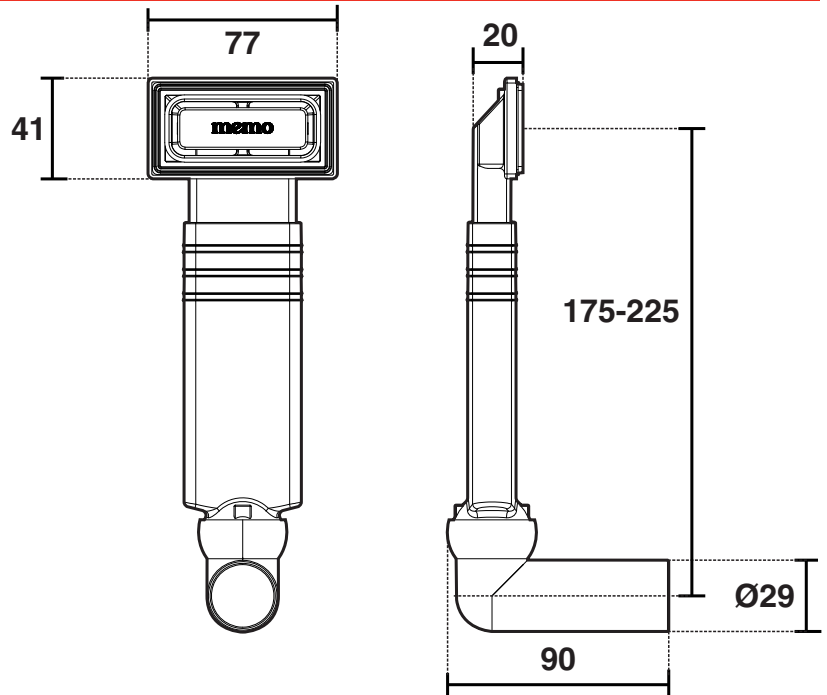


Memo Oscar Inset Right Hand Single Bowl & Drainer Sink Overflow 1 Taphole



## Memo Oscar Single Bowl Drain Sink Overflow 1 Taphole

### Diagram - Overflow

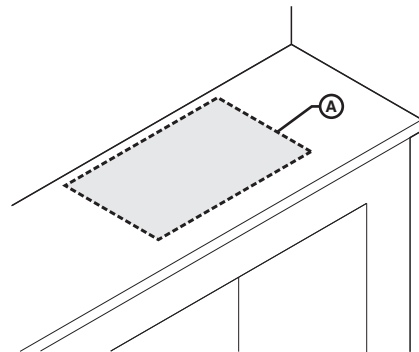


### Installation

1. Use the Template (A) provided to trace the cut-out on both the benchtop and underlay/timber lining.

**Note: Check that template is correct to match sink.**

2. Cut out bench top.



3. Position Sink (B) into bench top and mark out position for the fixing clips.

4. Install supplied adhesive Foam Seal (C) to underside rim of the Sink (B).

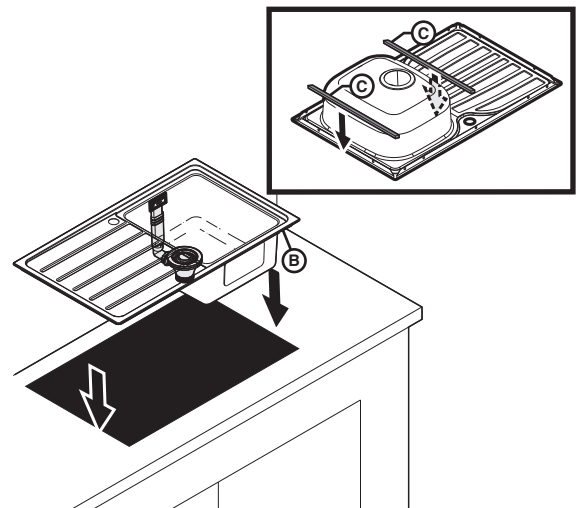
**Note: If silicone is used to also seal sink to benchtop it needs to be a thin bead and needs to neutral cure and mould resistant. Any excess sealant needs to be immediately removed.**

#### Important



**Under no circumstances are epoxy glues to be used to secure sink.**

**Note: If desired tapware can also be fitted to sink at this stage.**

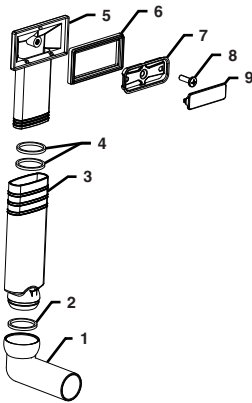


## Memo Oscar Single Bowl Drain Sink Overflow 1 Taphole

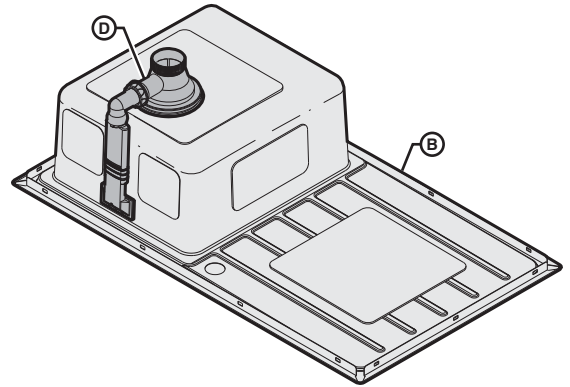
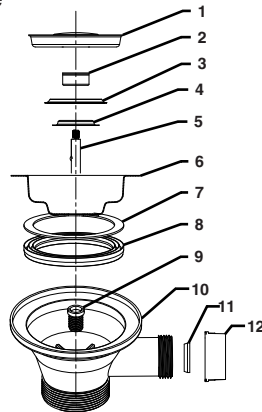
### Installation

5. Pre-Fit supplied Overflow Basket Waste and External Overflow Kit (D) to Sink (B) ensuring all connection are tightened firmly.

#### Overflow



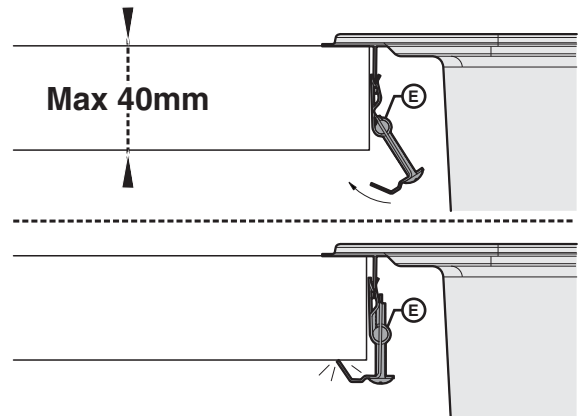
#### Waste



6. Install all securing Swing Clips (E).

**Note: Supplied Clips are suitable for benchtops up 40mm. For thin benchtops packing may be required.**

7. Position assembled Sink (B) into benchtop.
8. Tighten Sink (B) to benchtop via screw on the clip and ensure no gaps exist between Sink (B) and bench.
- Note: Alternate between fixing clips to ensure even seal.**
9. Once all plumbing connections have been completed, fill sink to overflow level and check for any leaks.



### Care Details

We recommend the use of soapy water or approved cleaners. This product should not be cleaned with abrasive materials. Damage caused by any improper treatment is not covered by the product warranty - refer to Warranty Conditions on the last page.

**Plumbers, please ensure a copy of the installation instruction is left with the end user for future reference.**