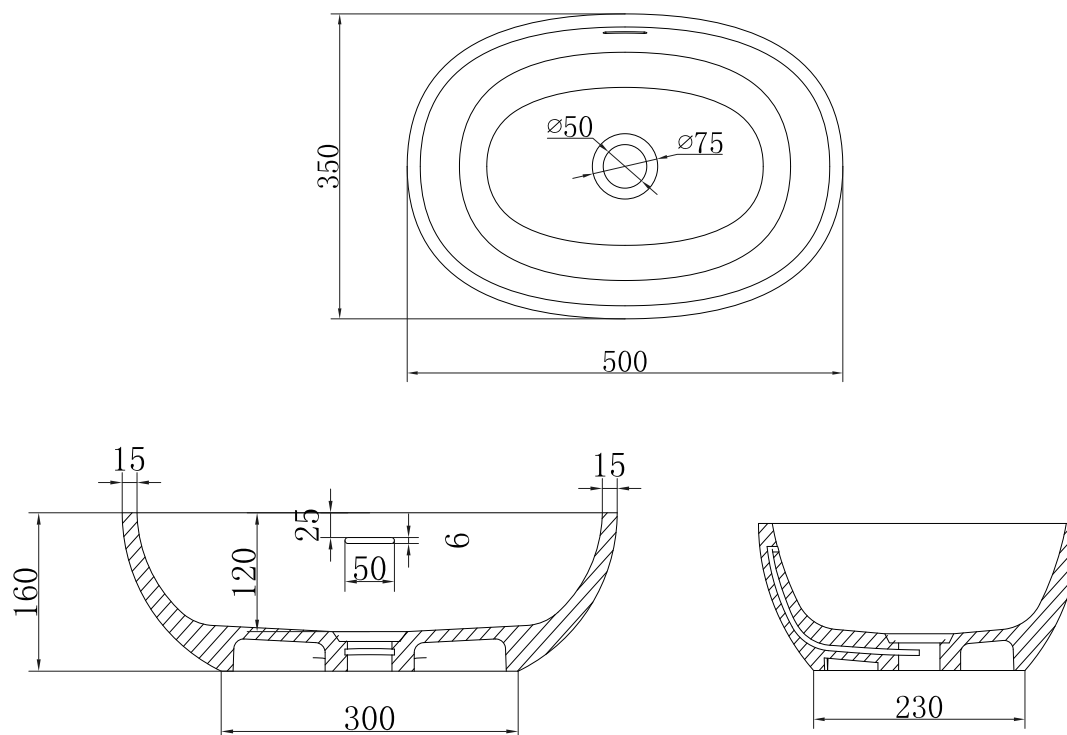


# KADO

## LUSSI VESSEL BASIN 500



Dimensions are nominal measurements only

### SPECIFICATIONS

Recommended use	Domestic, hotel and commercial
Material	Cast Solid Surface
Colour	White
Capacity	7.6 Litres
Weight	11 kg
Overflow	Yes
Tap hole	No Taphole
Plug and Waste	40mm Pop Up Waste (included)
Fixing	Silicone to Benchtop



To see the complete KADO range go to  
[www.reece.com.au/bathrooms](http://www.reece.com.au/bathrooms)

### CLEANING RECOMMENDATIONS

We recommend the use of soapy water or approved cleaners.

This product should not be cleaned with abrasive materials.

Damage caused by any improper treatment is not covered by the product warranty . Refer to Warranty Conditions.

**Disclaimer:** Products in this specification manual must by regulation be installed by licensed and registered trade people. The manufacturer/distributor reserves the right to vary specifications or delete models from their range without prior notification. Dimensions are nominal measurements only. Dimensions and set-outs listed are correct at time of publication however the manufacturer/distributor takes no responsibility for printing errors.

Tech Page Version 1

# KADO

## LUSSI VESSEL BASIN 500

### INSTALLATION INSTRUCTIONS

#### Note

If using wall mounted tapware, please take into consideration the length of the outlet to the position of the Basin on the Benchtop

If the Tapware is to be bench mounted, allow suitable bench top width for fitting the tapware.

1. Cut out Bench Top with clearance hole to fit waste.
2. Fit waste to Basin. Ensure waste is siliconed around the rim.
3. Apply waterproof sealant under the rim of the Basin.
4. Position Basin, complete with fittings. onto the benchtop and press firmly all around.
5. Remove any excess Sealant.