

mizu

Mizu Stream Sink Mixer (5 Star)

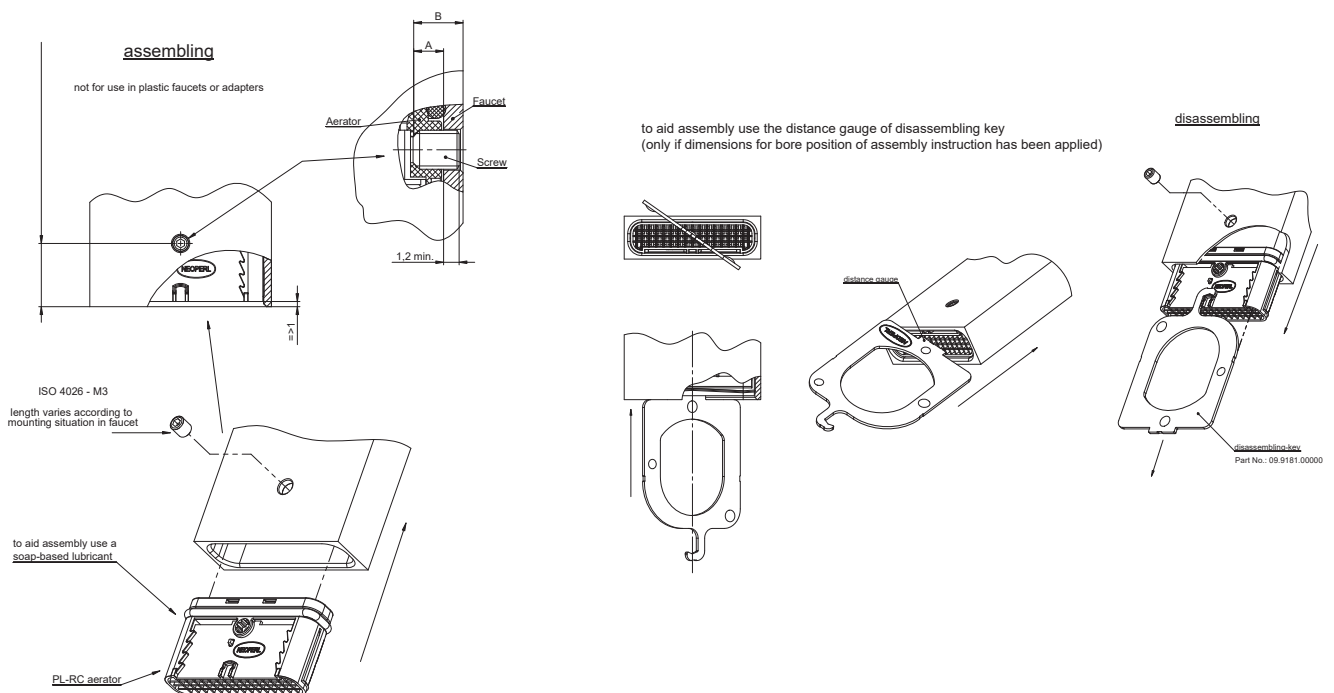
IMPORTANT NOTE:

Mixer must be installed to the requirements of AS/NZS 3500 by a qualified plumber. Your mixer comes to you already factory assembled and tested. We do not recommend the dismantling of any internal part of the mixer. The mixers are factory tested and sealed so as to give the best performance.

INSTALLATION INSTRUCTIONS:

1. Flush out new pipe work prior to connecting the new mixer.
2. Attach flexible tails to the mixer; connecting the blue labelled hose to the cold 'C' inlet and red labelled hose to the hot 'H' inlet. Tighten the hoses using a shifter.
3. Place the base washer from the fixing kit over the tap hole.
4. Fit the two guide shanks from the supplied fixing kit to the bottom of the mixer, ensuring the slotted end is fitted away from the mixer.
5. Pass both the flexible hoses through the top of the tap hole.
6. Apply the under mount O-ring and metal plate from the fixing kit to the underside of the tap hole, ensuring each shank is guided through both holes in the metal plate.
7. Secure the mixer to the sink or bench by screwing each of the supplied retaining nuts through each shank and securing them against the horse shoe metal plate.
8. Fit the hot and cold flexible hoses hose nuts to their corresponding stop valves (Stop vales not supplied with mixer). Ensure both are tightened sufficiently.
9. Pressure test the mixer to ensure all connections are free of leaks.

Aerator Servicing and Replacement



Plumbers, please ensure a copy of the Installation Instructions are left with the end user for future reference.

Published 13/11/2020