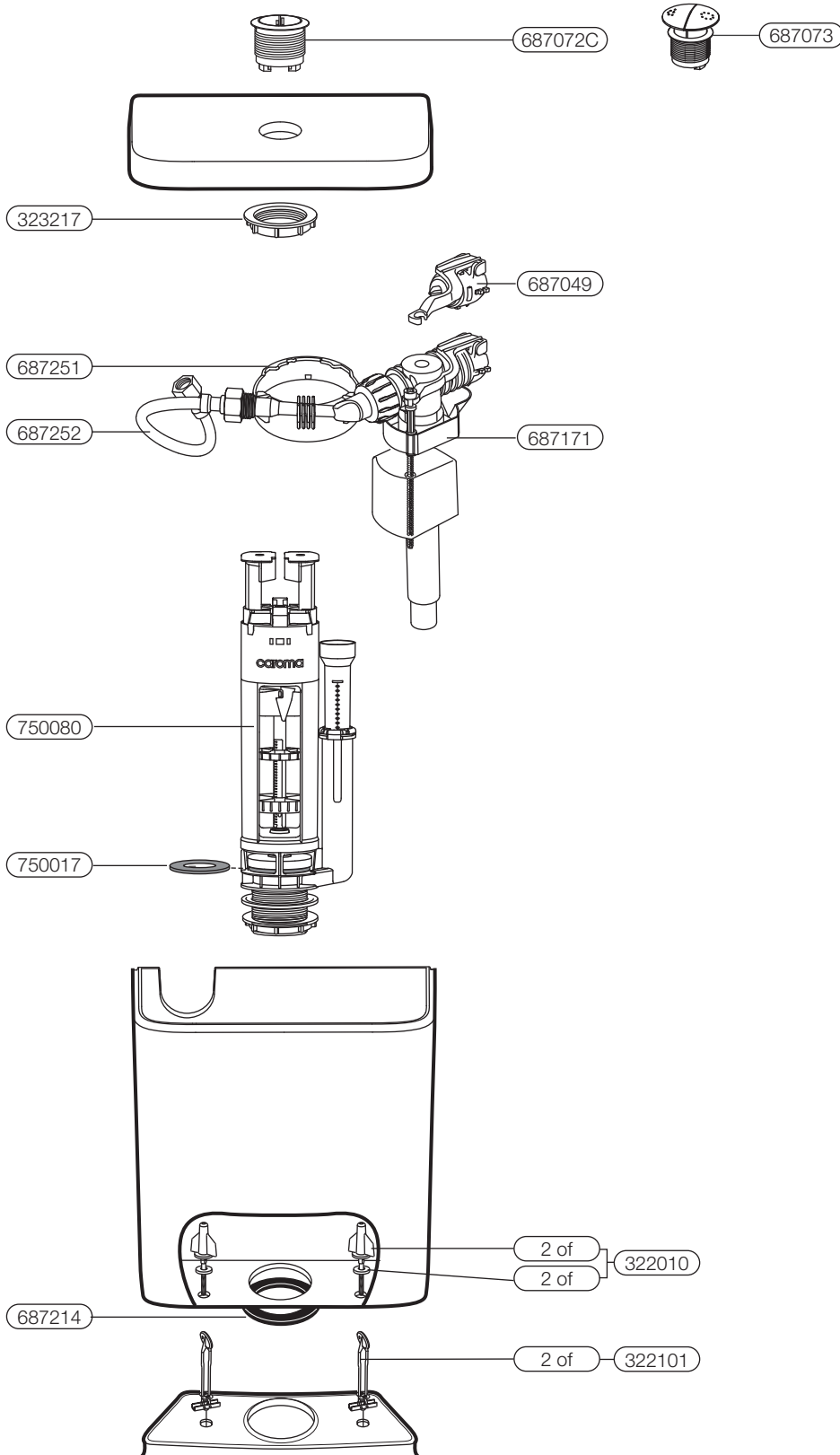


Spare Parts – Opal II and Opal 2000 Cisterns



Code	Part Description
322010	Cistern Fixing Kit — CC Blind Fixing
322101	Toggle Bolts — CC Blind Fixing
323217	Round Operating Button Fixing Nut
687072	Round Operating Button
687073C	Round Care Buttons (Metal)
687214	Foam Seal — CC Cistern

M5 Outlet Valve Version

687049	Unifill Back Entry Inlet Valve (M5) — Repair Kit
687171	Unifill Back Entry Inlet Valve (M5)
687251	Unifill Back Entry Inlet Valve (M5) — Bracket
687252	Unifill Back Entry Inlet Valve (M5) — Flexible Hose
750017	M5 Outlet Valve — Repair Kit
750080	M5 Outlet Valve

Hi-flo Version

218005	QuietFlow Inlet Valve Seal Kit
405006	Outlet Valve Seal
405162	Button Height Adjuster
414278	Button Extension Platform
415297	Hi-flo Outlet Valve — Interflow Tube and Seal

Duo-Flo Version

218005	QuietFlow Inlet Valve Seal Kit
405006	Outlet Valve Seal
405162	Button Height Adjuster — Short
405165	Button Adjusters — Long
414253	Duo-flo Outlet Valve — Interflow Tube and Seal

Elongated Buttons

405167W	2000 Series Elongated Button
405167I	(Pre May 2006)
405167C	
412122	2000 Series Elongated Button — Clamp and Screw