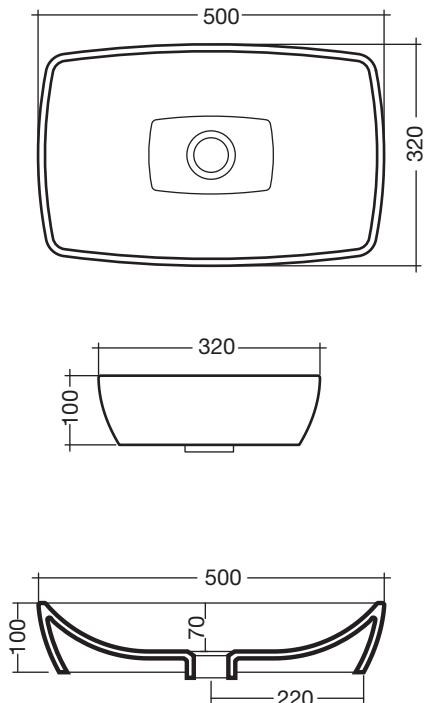


UNOCERAMICA

AXA H10 ABOVE COUNTER BASIN

500 x 320 x 100mm



SPECIFICATIONS

Recommended use	Domestic, hotel and commercial
Materials	Fine fire clay
Overflow	No
Tap hole availability	0
Plug and wastes	32 x 40
Colour availability	White
Capacity	6 Ltr
Fixing requirements	Freestanding



To see the complete Unoceramica range go to www.reece.com.au/bathrooms

CLEANING RECOMMENDATIONS

We recommend the use of soapy water or approved cleaners.

This product should not be cleaned with abrasive materials.

Damage caused by any improper treatment is not covered by the product warranty - refer to Warranty Conditions.

Disclaimer: Products in this specification manual must by regulation be installed by licensed and registered trade people. The manufacturer/distributor reserves the right to vary specifications or delete models from their range without prior notification. Dimensions are nominal measurements only. Dimensions and set-outs listed are correct at time of publication however the manufacturer/distributor takes no responsibility for printing errors.