



Mizu Drift 40 Degree Ambulant WC Left Hand & Right Hand Pair Brushed Stainless Steel

9513070

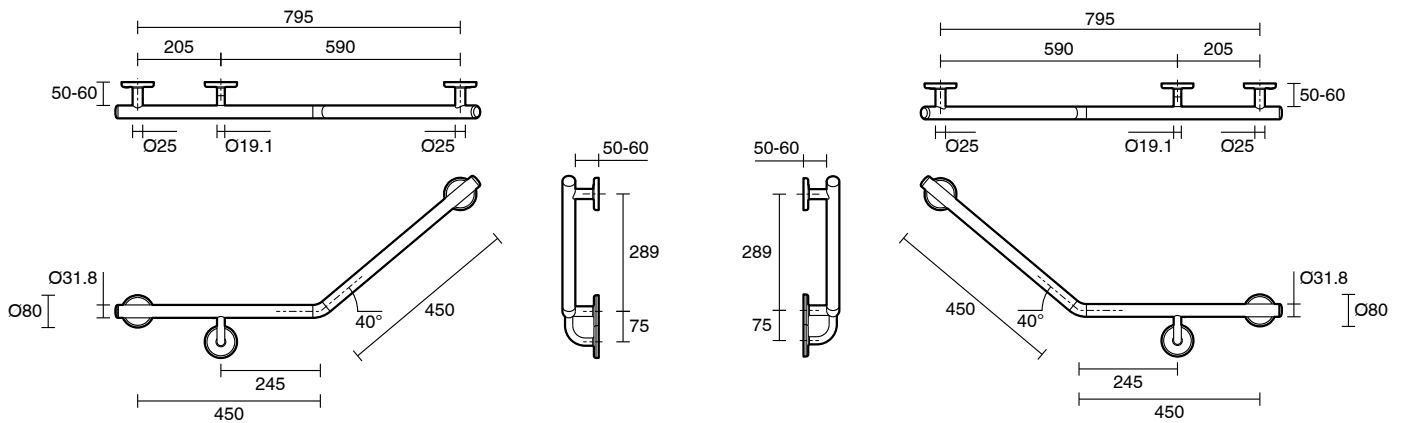
SPECIFICATIONS

Recommended Use	Domestic, Hotel & Commercial
Colour	Brushed Stainless Steel
Material	304 grade (18/8) stainless steel

WARRANTY

Replacement Only - Domestic Use	20 Years
Parts Replacement Only	12 Months

Please refer to Warranty Page for full Terms and Conditions



Dimensions are nominal measurements only.

CLEANING RECOMMENDATIONS:

We recommend the use of soapy water or approved cleaners. This product should not be cleaned with abrasive materials. Damage caused by any improper treatment is not covered by the product warranty. Refer to Warranty Conditions

Disclaimer: Products in this specification manual must by regulation be installed by licensed and registered trade people. The manufacturer/distributor reserves the right to vary specifications or delete models from their range without prior notification. Dimensions are nominal measurements only. Dimensions and set-outs listed are correct at time of publication however the manufacturer/distributor takes no responsibility for printing errors.

Published 02/09/2024

To see the complete Mizu range go to www.reece.com.au

