

Franke City MRG620-43/30FTLPW Double Bowl Inset Sink with Tap Ledge Polar White

2414023

SPECIFICATIONS

Recommended Use	Domestic, Hotel & Commercial
Plug & Waste	Basket Waste with Cover
Bowl Type	Double Bowl
Bowl Configuration	Double Bowl No Drainer
Bowl Divider	Half Height
Mounting	Inset
Overflow Configuration	Overflow
Taphole Configuration	5 Pre-Drilled
Sink Colour	Polar White
Finish	Matte
Material	Fragranite
Plug & Waste Size	90mm

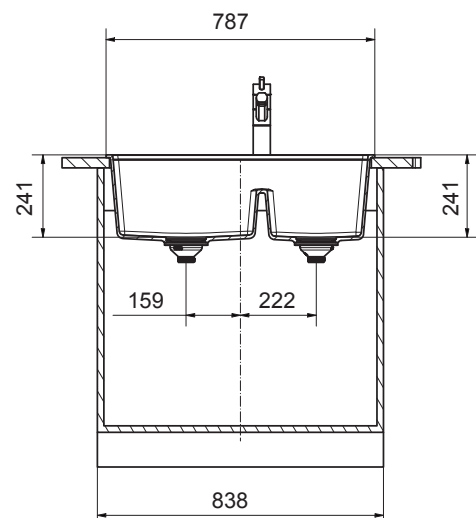
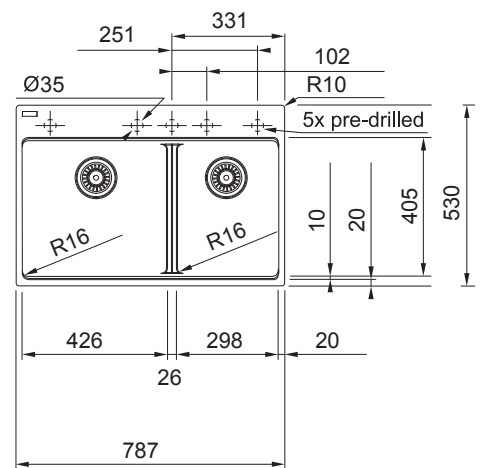
WARRANTY

Warranty - Domestic Use	50 Years - Replacement Only
Warranty - Commercial Use	12 Months - Replacement Only
Spare Parts (Plug and waste, clips)	12 Months - Parts and Labour

Please refer to Warranty Page for full Terms and Conditions

NOTE

Sinks must be installed using an instruction manual. No responsibility will be taken for damage that occurs where an instruction manual has not been used.



CLEANING RECOMMENDATIONS:

We recommend the use of soapy water or approved cleaners. This product should not be cleaned with abrasive materials. Damage caused by any improper treatment is not covered by the product warranty. Refer to Warranty Conditions

To see the complete Franke range go to www.reece.com.au