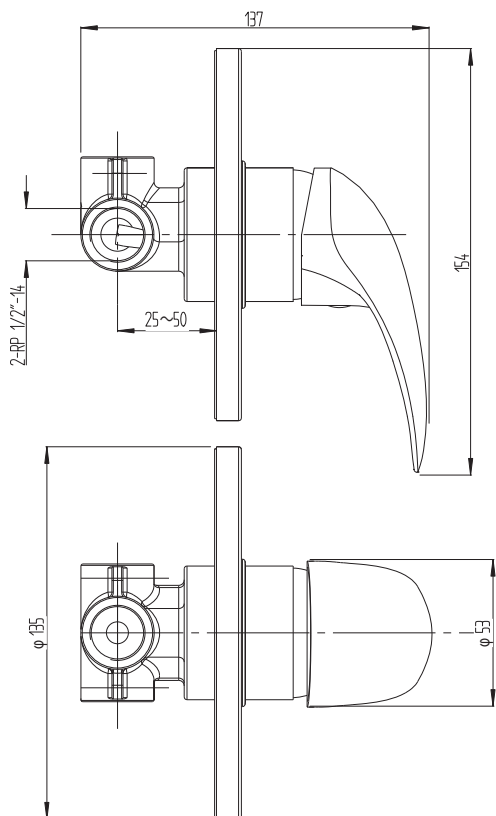


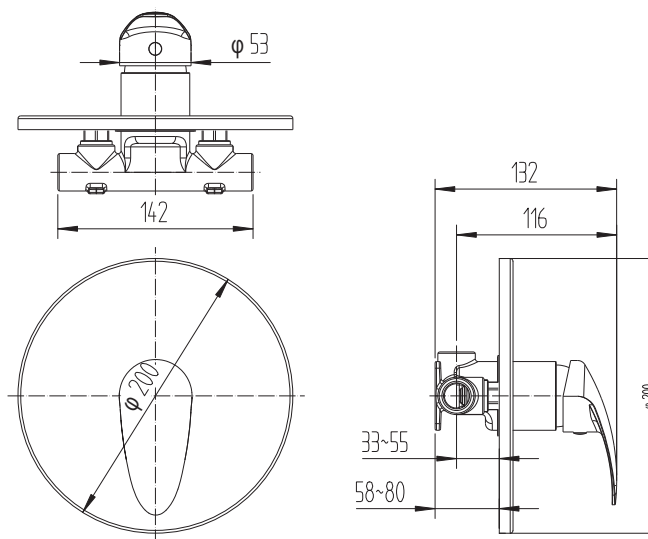
POSH

BRISTOL MK2 SHOWER MIXERS

Posh Bristol MK2 Shower Mixer



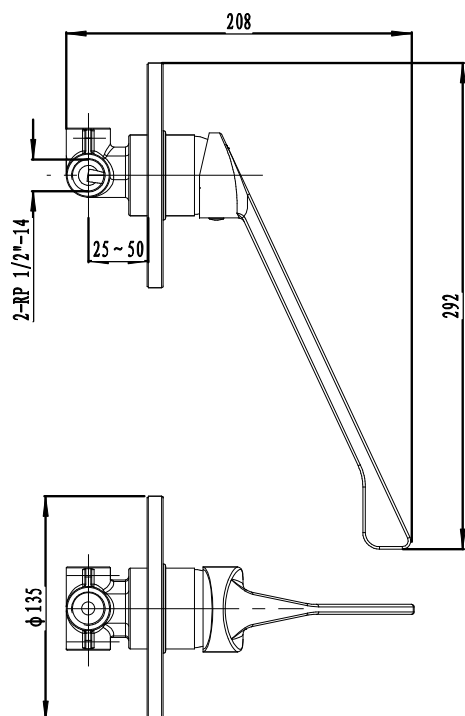
Posh Bristol MK2 Pressure Balancing Shower Mixer



POSH

BRISTOL MK2 SHOWER MIXERS

Posh Bristol MK2 Extended Lever Shower Mixer



SPECIFICATIONS

Recommended use	Domestic, hotel and commercial
Colour availability	Chrome
Pressure rating	Maximum continuous operating pressure 1000kPa. For best performance and longer life we recommend 150-500kPa. Hot and cold water inlet pressure should be equal.
Temperature rating	Maximum continuous working temperature 80°C
Suitable Hot Water Units	Storage tank: Yes Continuous Flow: Yes Gravity Feed: Not recommended
Standards	AS/NZS 3718

To see the complete POSH range go to www.reece.com.au/bathrooms

CLEANING RECOMMENDATIONS

We recommend the use of soapy water or approved cleaners.

This product should not be cleaned with abrasive materials.

Damage caused by any improper treatment is not covered by the product warranty - refer to Warranty Conditions on the last page.

POSH

BRISTOL MK2 SHOWER MIXERS

Important Note

Mixer must be installed to the requirements of AS/NZS 3500 by a qualified plumber. Your mixer comes to you already factory assembled and tested. We do not recommend the dismantling of any internal part of the mixer. The mixers are factory tested and sealed so as to give the best performance.

INSTALLATION INSTRUCTIONS

Mixers are recommended for use on mains pressure and instantaneous systems only. Equal pressure for hot and cold water supply is required for this single lever mixer.

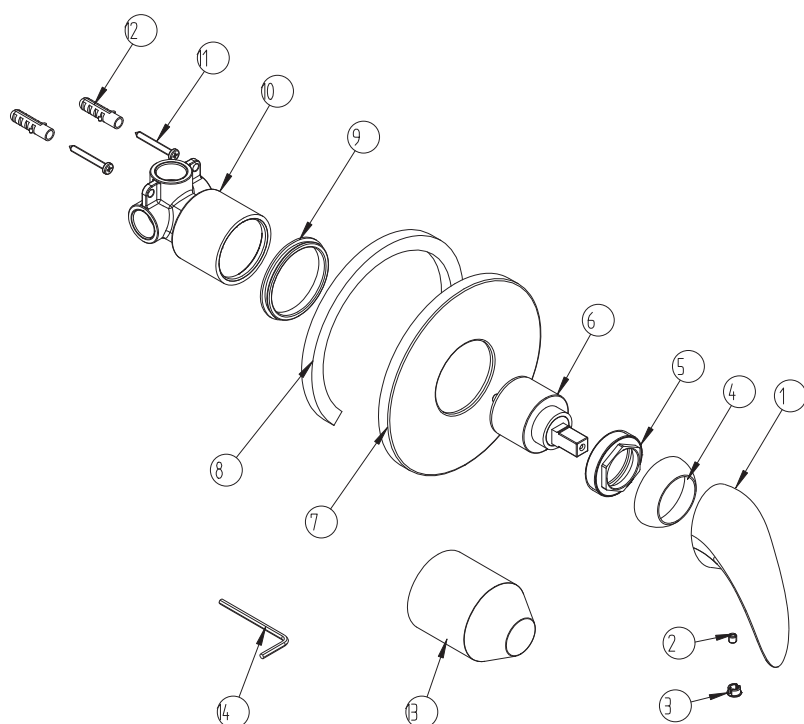
1. Please flush out new pipe work prior to connecting the new mixer.
2. During installation protect the exposed surface finish by using the plastic cover provided.
3. In a typical installation, the mixer is mounted on a timber/metal noggin and secured using suitable screws through the mounting lugs.

NOTE: Arrow stamped on the outlet must face up towards shower. If the mixer is to be used as a bath mixer, the pipe will need to be looped to go to the bath outlet.

4. Connect mixer to hot and cold water supply.
5. Pressure check all connections. Leaking joints are not covered by the warranty.
6. When the wall is finished (eg. tiling), remove the protective cover and fit the cover plate and handle.

Servicing - Replacement of Cartridge

1. Remove cap (3) and unscrew the grub screw (2) using allen key.
2. Lift off handle (1) and remove the cartridge dome (4), unscrew brass locking nut (5) and lift out cartridge (6).
3. Replace the cartridge (6), replace the brass locking nut (5), replace the cartridge dome (4) and replace handle (1). Tighten grub screw (2) and push in indicator cap (3).



Exploded View

Item	Description
1-3.	Shower Mixer Handle Complete
4.	Cartridge Dome
5.	Cartridge Locking Nut
6.	Cartridge
7-9.	Shower Mixer Cover Plate
10.	Shower Mixer Body
11.	Protective Cover
12.	Allen Key

Plumbers, please ensure a copy of the installation instructions is left with the end user for future reference

POSH

BRISTOL MK2 SHOWER MIXERS



REECE PRODUCT QUALITY GUARANTEE

You have purchased a quality product from Reece Pty Ltd ABN 84 004 097 090 ("Reece"). This product is covered by a 7 year replacement product warranty and a 12 month warranty over spare parts and labour.

7 YEAR WARRANTY – DOMESTIC USE

This warranty covers faults in the product construction, material and assembly. Products which are within 7 years from the date of purchase, found upon inspection by an authorised Reece representative, to be defective in construction, material or assembly, will be repaired or exchanged with an equivalent product free of charge. Replaced items become Reece's property. This warranty also covers any spare parts included under "Manufacturer's Provisions" below.

All replacement products will be available for collection without charge to the customer at the nearest Reece branch to the customer's location, or elsewhere as agreed between the customer and Reece.

Manufacturer's Provisions

The following spare parts are covered by a 7 year warranty:

- Mixer Cartridge

Labour and Spare Parts

The labour for the replacement of products and spare parts to which this warranty applies will be supplied by Reece or relevant supplier using licensed plumbers engaged by Reece or relevant supplier within 1 year from the date of purchase.

Spare parts other than those listed in the Manufacturer's Provisions above, which are within 1 year from the date of purchase found upon inspection by an authorised Reece representative to be defective in construction, material or assembly, will be replaced free of charge.

Warranty Conditions

This warranty will apply only under all of the following conditions:

- The item has been installed by a licensed plumber
- The item has been installed for and subjected to domestic residential use only
- Failure is due to a fault in the manufacture of the product
- Proof of purchase (including the date of purchase) is provided
- The installation of the product is in accordance with the instructions provided

This warranty does not cover products purchased as an ex-display without being fully checked and tested for sale by the manufacturer.

This warranty does not include faults caused by:

- Unsuitable or improper use
- Incorrect installation or installation not in accordance with the instructions provided
- Installation or part installation by the purchaser or any person other than a LICENSED PLUMBER
- Normal wear and tear
- Inadequate or complete lack of maintenance
- Chemical, electrochemical or electrical influences
- Harsh detergents or abrasive cleaners used on product finishes

1 YEAR WARRANTY – COMMERCIAL USE

'Commercial' use is all use other than for normal domestic residential purposes, including use in non-business places as in public buildings, schools, sports centres and in establishments that contain private bathrooms with high frequency of use by many individuals, such as hotels, motels, retirement villages and hospitals.

The Commercial warranty covers this product against manufacturing faults in the construction, material and assembly of both the finished products and any spare parts for a period of 1 year from the date of purchase. Products and spare parts which are found upon inspection by an authorised Reece representative to be defective in construction, material or assembly will be repaired or exchanged free of charge. Replaced items become Reece's property. The labour for the replacement of products and spare parts to which this warranty applies will be supplied by Reece or relevant supplier using licensed plumbers engaged by Reece or relevant supplier. The Warranty Conditions and exclusions which apply to the domestic use warranty also apply to this commercial warranty.

EXCLUSIONS

To the fullest extent permitted by law, Reece excludes all liability for damage or injury to any person, damage to any property, and any indirect consequential or other loss or damage.

CLAIM PROCEDURE

For all warranty queries customers are to contact the branch where the product was purchased. These details can be found on your purchase invoice.

Our goods come with guarantees that cannot be excluded under the Australian Consumer Law. You are entitled to a replacement or refund for a major failure and for compensation for any other reasonably foreseeable loss or damage. You are also entitled to have the goods repaired or replaced if the goods fail to be of acceptable quality and the failure does not amount to a major failure.