

Sanistep Urinal

USAN



WELS Reg #U00442



Scan QR code to view our installation notes

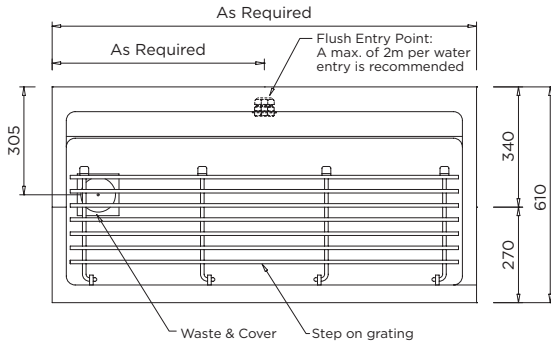


Product Info:

- Australia's most specified hinged grate urinal
- Made to custom lengths and in L or U shape
- Choice of Recessed or Floor Mounted models
- Optional waste outlet size and position
- Suits pairing with Smart Sani Flush Sensor (FSM)

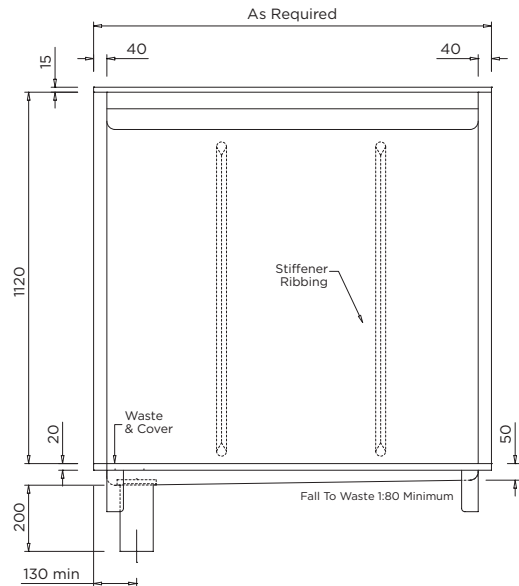
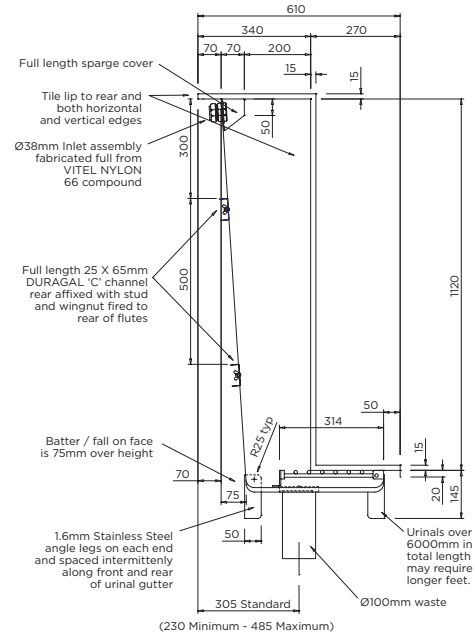
To order this item please advise:

- Urinal Length
- Waste Size (100mm or custom)
- Waste Pos'n (L, C, R or custom)
- Rear or Top water entry
- Floor Mounted or Recessed model



INSTALLATION NOTES

- 1) A pliable mortar bed (slurry) is recommended to support urinal tray and prevent flexing.
- 2) Recommended trench dimensions for recessed urinals are (Urinal Length + 50mm) x 630mm Wide. To calculate trench depth, allocate 180mm for the first 1000mm in length and add 20mm for each additional meter thereafter.
- 3) Water entries supplied 38mm ID as standard or 25mm by request.
- 4) One water entry will be supplied for every 2000mm or part thereof.
- 5) 101mm (OD) tube dropper outlet provides optimal drainage.
- 6) If urinal has rear water entry, provide access and enough space behind to connect water before finishing walls.
- 7) Tile edges are supplied to all sides for sheeting over unless otherwise requested. E.g. if side wall(s) are requested to be freestanding.



*Recessed Model shown.
Floor Mounted Model is supplied with a (150mm) kick plate.*



Due to ongoing research and our commitment to product development, details are subject to change without notice. Details accurate at time of print

Please refer to britex.com.au for the most current product information. Allow +/- 5mm tolerance for dimensions and setouts shown in product literature.

Last Revised April 2018