

TIDE Deluxe Slide Shower (Round) VTD61R



TECHNICAL DETAILS:

Adjustable Lower Wall Bracket - 450 to 600mm

Stainless Steel Rail

1/2" (15mm) Inlet supply Elbow

All Pressures

Max Pressure: 500kPa (As per AS/NZ 3500.1)

Min. Pressure: 35kPa

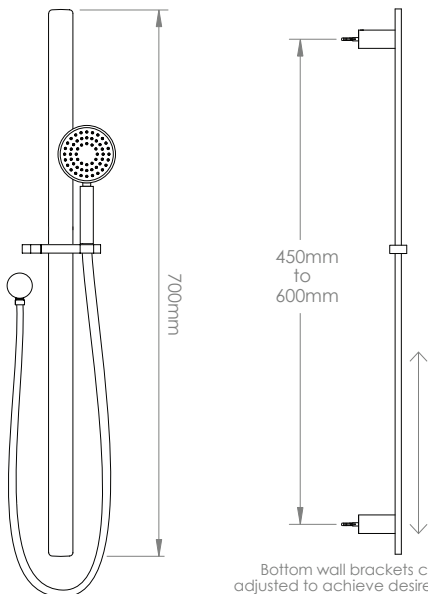
Max. Temp: 65deg.C

WELS Rating: Mains 3 Star ; 7.5L/min

Low/Unequal: 3 Star ; 8.5L/min

10 Year Warranty (Labour, Parts & Replacement)

5 Year Warranty on PVD Finishes



Bottom wall brackets can be adjusted to achieve desired height.

FINISH		CODE
Brushed Brass (PVD)	VTD61RBB	2217432
Brushed Gunmetal (PVD)	VTD61RBG	9511917
Brushed Nickel (PVD)	VTD61RBN	9511919
Matte Black	VTD61RBK	9511918
Chrome	VTD61RCH	9511916

*Specifications and dimensions correct at time of publication and are subject to change without notice.

Please refer to physical product prior to installation.

PROUD PARTNER AND SUPPORTER OF MASTER PLUMBERS, GASFITTERS AND DRAINLAYERS

