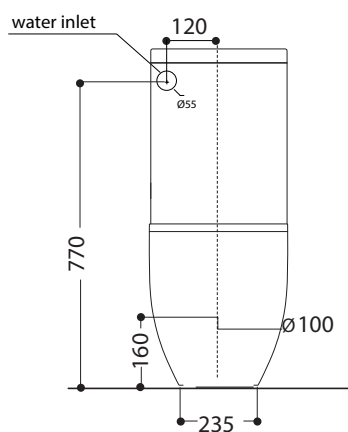


AXA

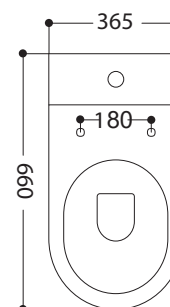
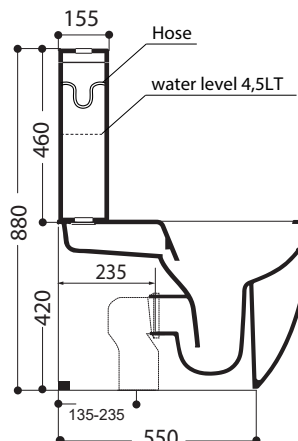
AXA UNO RIMLESS CLOSE COUPLED BACK TO WALL TOILET SUITE



Picture 1



Front View



INSTALLATION INSTRUCTIONS

Note:

All measurements for roughing in should be taken from finished wall/floor. Dimensions shown are nominal measurements only.

1. Rough in positions of water inlet and waste outlet (diagram 1). Ensure Inlet connection extends 40mm from finished wall.
2. Mark out and drill floor fixing brackets into position (100mm apart, 320mm from the finished wall). Mark out and prepare plate, rod and plastic bend if installing the waste through the floor (diagram 3).
3. Fit foam seal to cistern and fit onto the pan. Use the fixing screws to secure it into position.
4. For S Trap - Prepare waste outlet according to the required setout (135min to 235max). Insert pan bend into pan collar, fix the pan bend connector back to the wall using the rod and bracket. Align and push pan back to wall and install cistern to pan.
5. P Trap Installation - Set up waste pipe and cut to length. Align and push pan back to wall, connecting pan spigot into pan waste bend. Install cistern to pan.
6. Ensure that pan is level and cistern aligns with wall. Make minor adjustments if necessary.
7. Bucket flush and check for leaks.
8. Connect rear water inlet valve and flexible hose with elbow (supplied) so that the flexible hose does not touch the water surface (picture 1). Fill the cistern and ensure correct water level. For adjustment refer to separate instructions for inlet valve.
9. Fix pan to floor using screws and caps provided.
10. Seal around base of pan with flexible sealant.

Installation of Toilet Seat (see separate instructions).

It is recommended that toilet seat and cover be installed after all trades are finished.

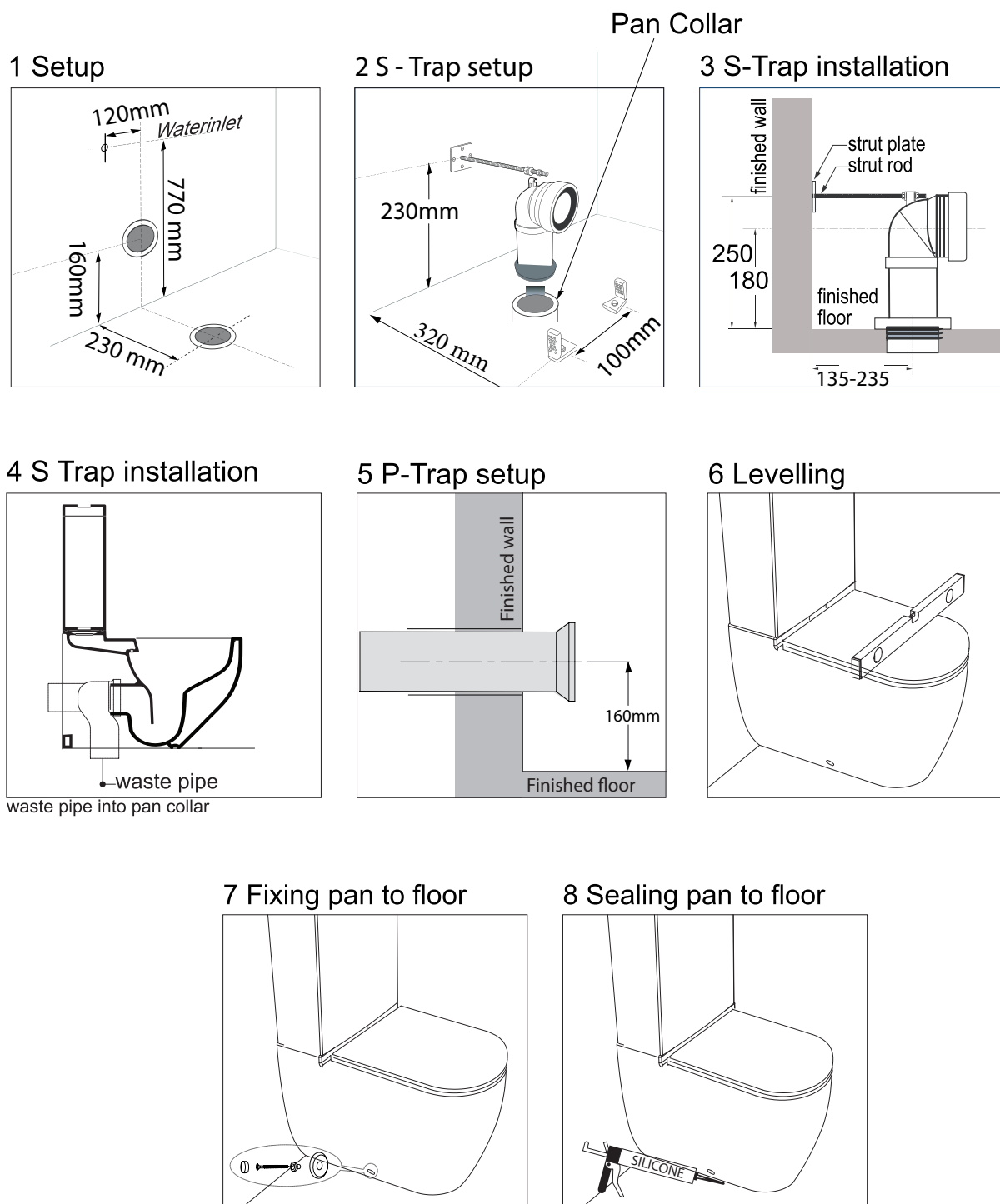
Dimensions are nominal measurements only.

Plumbers, please ensure a copy of the installation instructions is left with the end user for future reference.

AXA

AXA UNO RIMLESS CLOSE COUPLED BACK TO WALL TOILET SUITE

INSTALLATION INSTRUCTIONS



Dimensions are nominal measurements only.

Plumbers, please ensure a copy of the installation instructions is left with the end user for future reference.