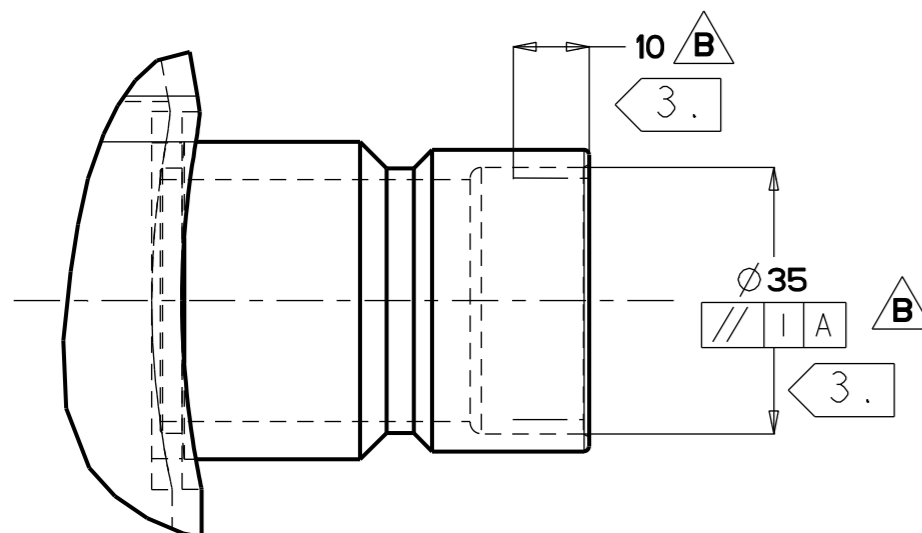
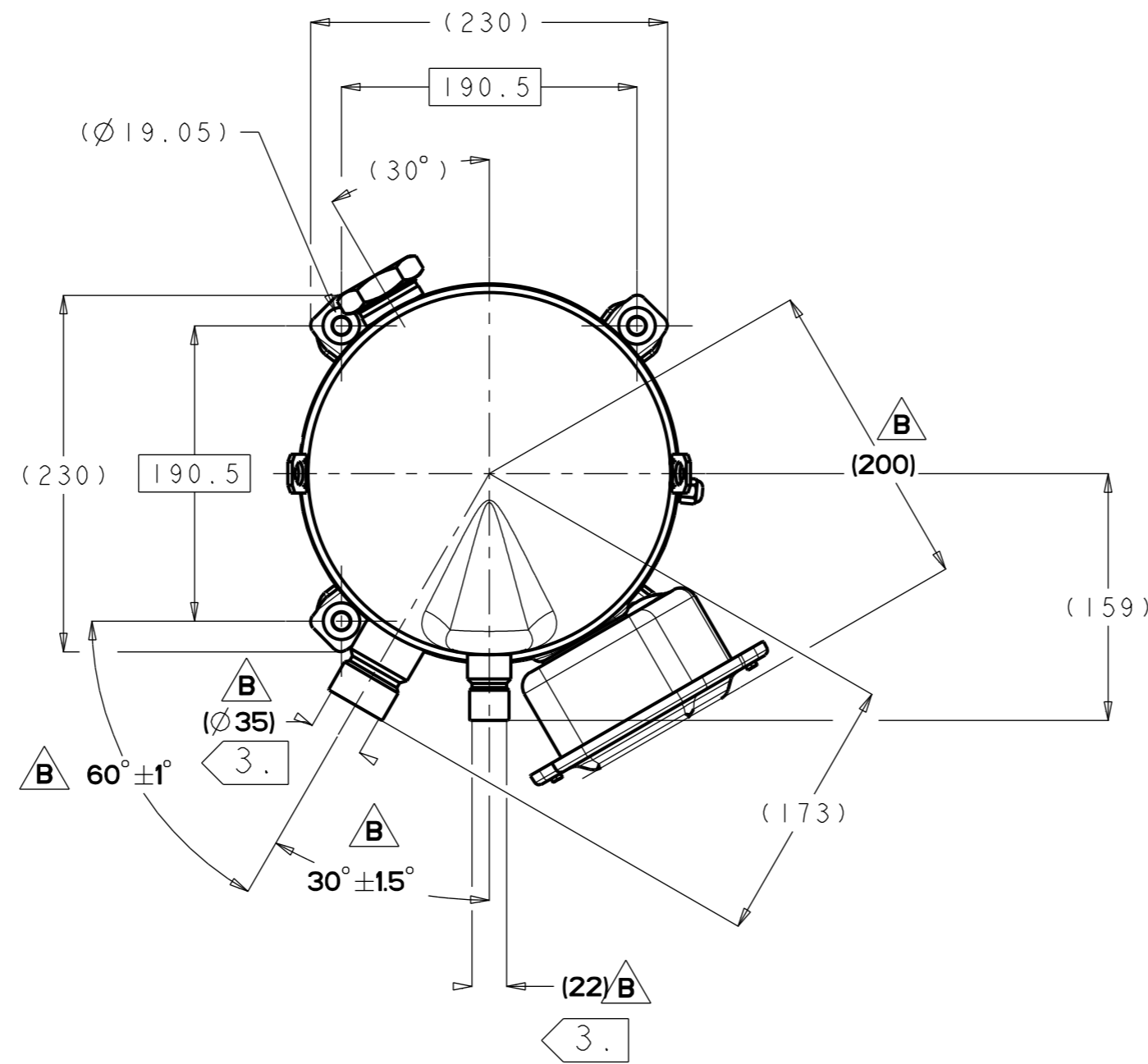


REFOULEMENT /Discharge SCALE 1/1



ASPIRATION /Suction SCALE 1/1



**NOTES:**

- 1 - COMPRESSION APPROXIMATIVE DES SILENT-BLOCS : 2mm. /Estimated grommets compression
- 2 - DIMENSIONS ET TOLERANCES SANS COMPRESSION DES SILENT-BLOCS. /Vertical dimensions and tolerances and without grommets compression.
- 3 - LE PARALLELISME S'APPLIQUE SUR 10 mm SUR LE DIAMETRE INTERIEUR /Parallelism applied on 10 mm on inside diameter

REFERENCE PIECE / Part number
8560023 B.11

Projection	Scale	Material	A2
	1/4	-	
B DM1080468 28/01/09	A DC1070434/1080006 06/02/08	Designation	SH184 Outline
Mrk.	Approval/Rev Date	No. 8560023	
Replace	ALS		
Design	GED		
Approval	GED		Production print

Confidential: Property of Danfoss Commercial Compressors. Not to be handed over to copied or used by third party. Two or three dimensional reproduction of contents to be authorized by Danfoss CC.