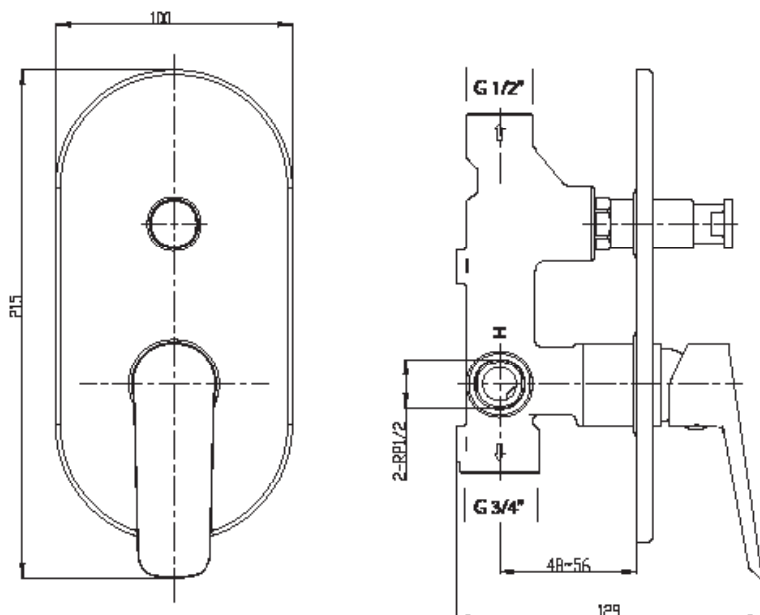


MIZU

BLISS SHOWER MIXER WITH DIVERTER



SPECIFICATIONS

Recommended use	Domestic, hotel and commercial
Colour availability	Chrome
Pressure rating	Maximum continuous operating pressure 1000 kPa. Note: For best performance and longer life we recommend 150-500 kPa.
Temperature rating	Maximum continuous working temperature 80°
Suitable Hot Water Units	Storage tank: Yes Continuous Flow: Yes Gravity Feed: Not recommended
Standards	AS/NZS 3718



To see the complete Mizu range go to www.reece.com.au/bathrooms

CLEANING RECOMMENDATIONS

This product should not be cleaned with abrasive materials eg. steel wool/scourers. Do not use any corrosive or abrasive cleaning agents containing acids or scouring agents. Bleaches can also discolour products and therefore should not be used. Damage caused by any improper treatment is not covered by the product warranty- refer to Warranty Conditions on the last page.



Disclaimer: Products in this specification manual must by regulation be installed by licensed and registered trade people. The manufacturer/distributor reserves the right to vary specifications or delete models from their range without prior notification. Dimensions are nominal measurements only. Dimensions and set-outs listed are correct at time of publication however the manufacturer/distributor takes no responsibility for printing errors.

Tech Page Version 1

MIZU

BLISS SHOWER MIXER WITH DIVERTER

INSTALLATION INSTRUCTIONS

Important Note

Mixer must be installed to the requirement of AS/NZS 3500 by a licensed plumber. Your mixer comes to you factory assembled and tested. We do not recommend the dismantling of any internal part of the mixer. The mixers are factory tested and sealed so as to give the best performance.

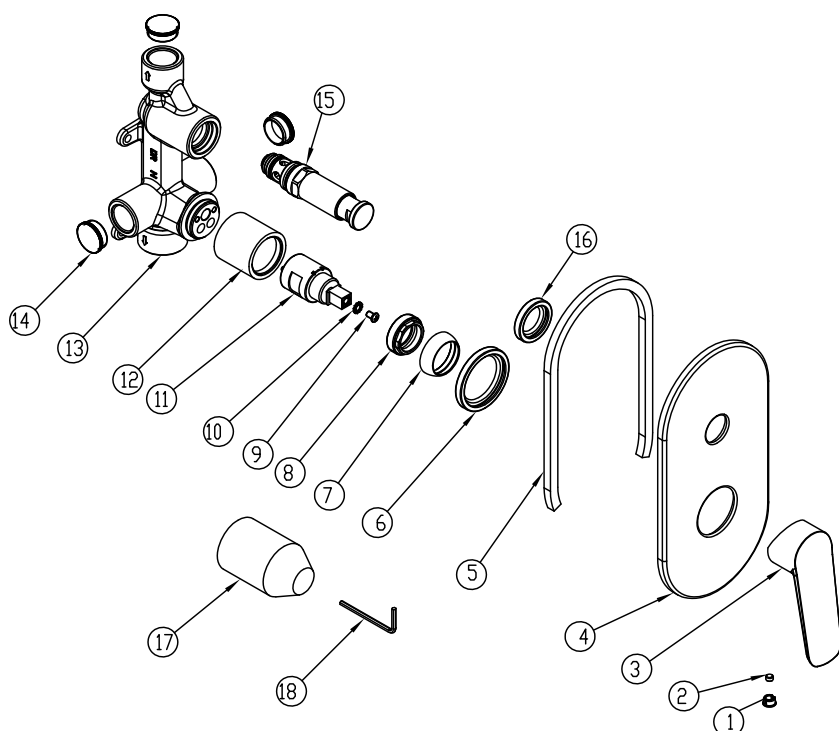
Mixers are recommended for use on mains pressure and instantaneous systems only. Equal pressure for hot and cold water supply is required for this single lever mixer.

1. Please flush out new pipe work prior to connecting the new mixer.
2. During installation protect the exposed surface finish by using the plastic cover provided.

3. In a typical installation, the mixer is mounted on a timber/ metal noggin and secured using suitable screws through the mounting lugs.

NOTE: Arrow stamped on the outlet must face up towards shower (as shown in the exploded view below).

4. Connect mixer to hot and cold water supply.
5. Connect to bath and shower outlet.
6. Pressure check all connections. Leaking joints are not covered by the warranty.
7. When the wall is finished (eg. tiling), remove the plastic cover and fit the cover plate and handle.



EXPLODED VIEW

Item	Description
1	Decorative Cover
2	Grub Screw
3	Mixer Handle
4	Mixer Cover Plate
5	Seal
6	Washer
7	Cartridge Dome
8	Cartridge Lock Nut
9	Fixing Screw
10	Washer
11	Cartridge Body
12	Cartridge Sleeve
13	Mixer Body
14	Inlet Cover
15	Diverter Button Assembly
16	Diverter Button Washer
17	Protective Cover
18	Allen Key