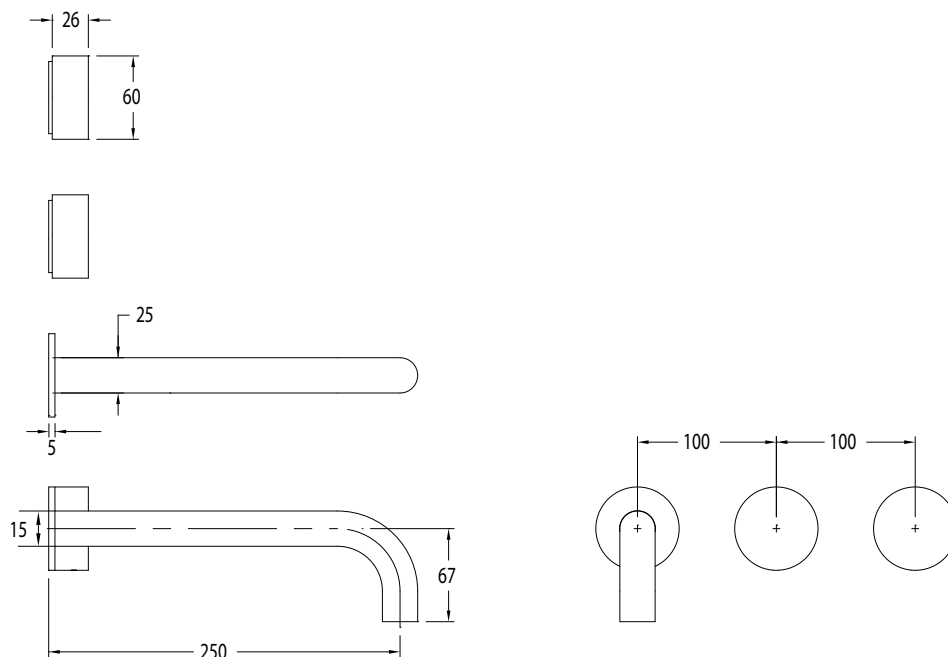


MILLI

PURE WALL BASIN HOSTESS SYSTEM 250MM



Dimensions are nominal measurements only.

SPECIFICATIONS

Recommended Use	Domestic, Hotel and Commercial.
Finish	Chrome, Matt Black, Rose Gold, Brushed Gunmetal.
Pressure Rating	Maximum continuous operating pressure 1000kPa. As per AS/NZS 3500 pressure must be limited to 500kPa on any new home extension or renovation. For best performance and longer life we recommend 150-500kPa Hot and cold water inlet pressure should be equal.
Temperature Rating	Max continuous working temperature 65 deg. C
Suitable Hot Water Units	Storage Tank: Yes Continuous Flow: Yes Gravity Feed: Not recommended



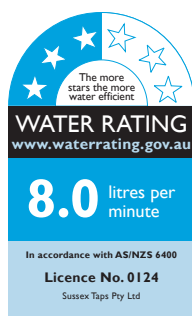
To see the complete MILLI range go to www.reece.com.au/bathrooms

CLEANING RECOMMENDATIONS

We recommend the use of soapy water or approved cleaners.

This product should not be cleaned with abrasive materials.

Damage caused by any improper treatment is not covered by the product warranty. Refer to Warranty Conditions.



Disclaimer: Products in this specification manual must by regulation be installed by licensed and registered trade people. The manufacturer/distributor reserves the right to vary specifications or delete models from their range without prior notification. Dimensions are nominal measurements only. Dimensions and set-outs listed are correct at time of publication however the manufacturer/distributor takes no responsibility for printing errors.

Tech Page Version 1

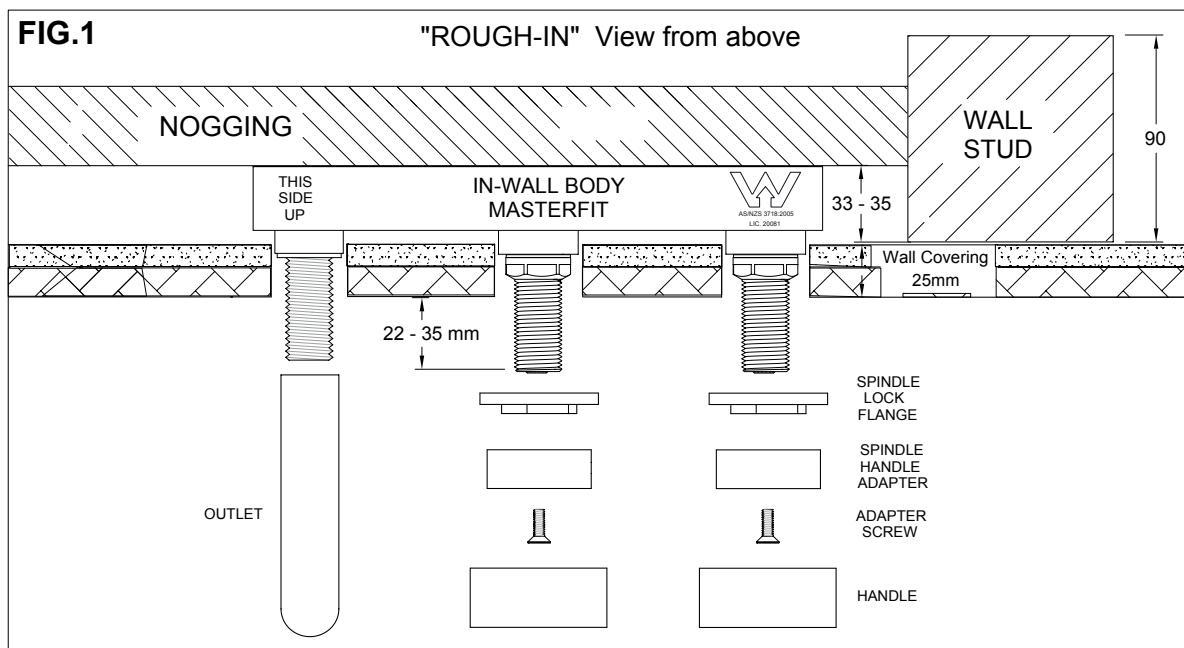


MILLI PURE WALL BASIN HOSTESS SYSTEM

INSTALLATION INSTRUCTIONS

Tapware is to be installed by a Licenced Plumber in accordance with AS/NZS 3500:2003

Recommended working water pressure 150 - 500 kPa.
Maximum water temperature is 65 deg.C.



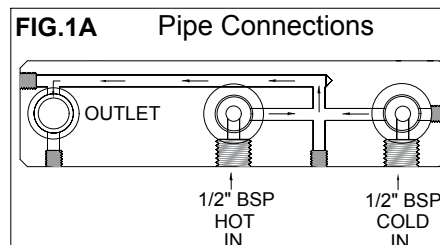
ROUGH IN PLUMBING (MASTERFIT)

MOUNTING GUIDE

- Prepare a nogging and secure 33 - 35mm back from the front of the stud. (See Fig.1)
- The Masterfit (In-Wall) will be marked "This Side Up" to indicate orientation.
- Using the screws (x4) provided, mount the Masterfit (In-Wall) to the Nogging.
- Ensure the Masterfit is level and square to the Wall Studs.

PIPE CONNECTIONS

- The Masterfit is supplied with coloured thread Caps to protect and identify the Hot and Cold inlet connections.
- All lines must be free from any dirt and debris before connecting to the Masterfit. Flush all water feed lines.
- Connect Hot and Cold lines to the corresponding 1/2" BSP ports of the Masterfit. (See Fig.1A)
- Do not remove or disturb any factory fitted Pressure Plugs or Fixings.
- Once all water connections are made, use the "Spindle Handle Adapter" and check Hot/Cold water operation.
- Check all fittings and connections for leaks.
- Store the Dress Kit in a safe place until required for Fit off.



FITTING OFF

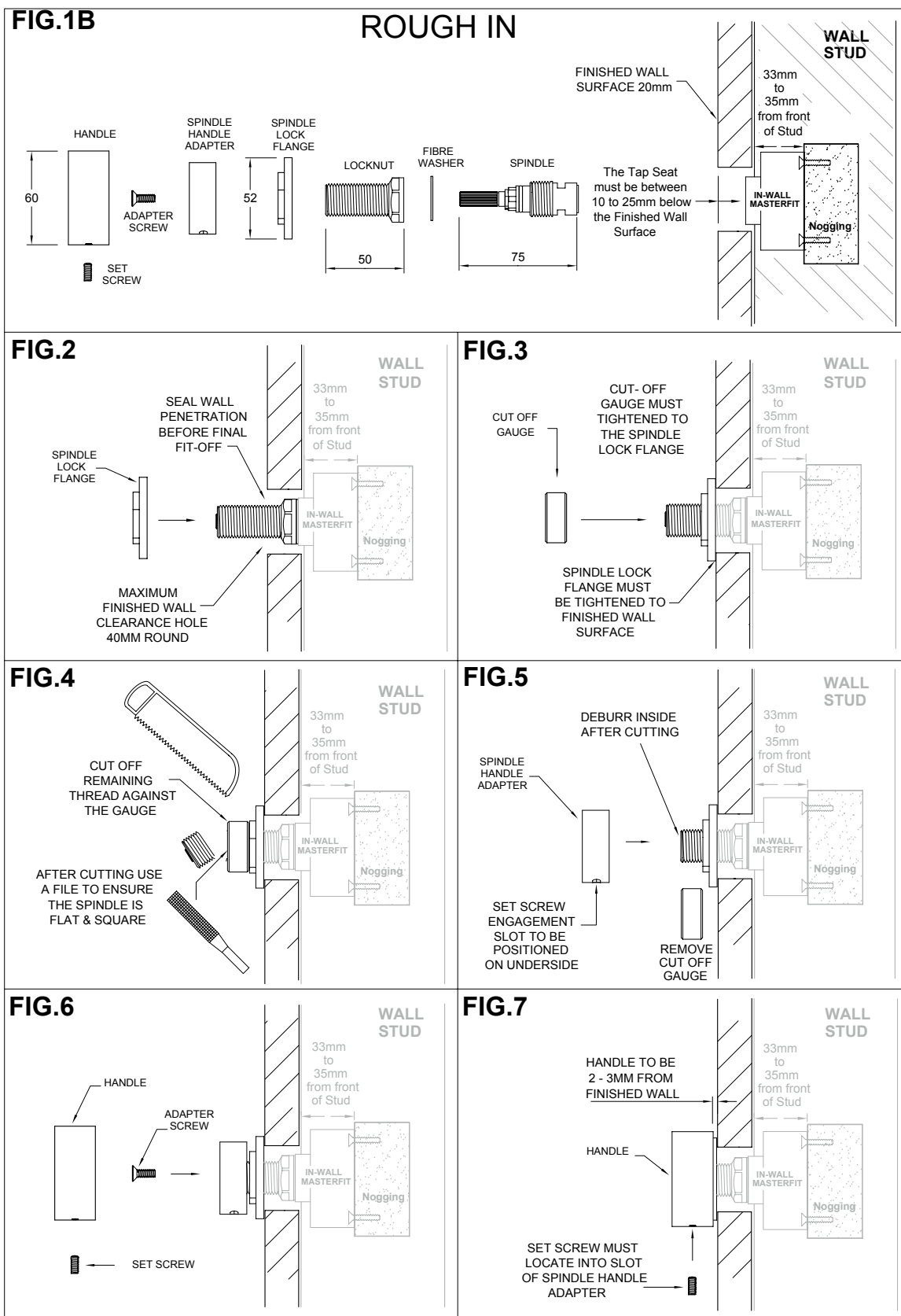
Prior to installing Dress kit, ensure 22 - 35mm of the Spindle and locknut protrude past the finished Wall surface. (See Fig.1) If 22 - 35mm is not maintained then contact the manufacturer for possible options.

- Seal the wall around the Spindle and fit the Spindle Locking Flange to meet the Finished Wall Surface. (Fig.2)
- Screw "Cut-off" Gauge to the remaining threads of the Locknut. (See Fig.3)
- Using an appropriate saw, cut off the remaining thread against the "Cut-off" Gauge. (See Fig.4)
- **Important:** After cutting leave the Gauge in position and use a file to ensure the Spindle end is flat and square. (See Fig.4)
- Remove the "Cut-off" Gauge and de-burr any sharp edges from the inside of the locknut. (See Fig.5)
- Attach the Spindle Handle Adapter and ensure the Set screw engagement slot is positioned to the underside. (See Fig.5)
- Fit and tighten the Adapter Screw to secure the Spindle handle Adapter. (See Fig.6)
- Attach Handle to Spindle Handle Adapter. (See Fig.6)
- Align the Handle so that the Set screw locates into the engagement slot. (See Fig.7)
- Fine tune the Handle position and then tighten the Set Screw using a 2.5mm Allen Key. (Tighten well)
- Note the Handle should have 2 - 3mm clearance from the Finished Wall Surface.
- After completing the installation, establish water supply, check function of Tapware and ensure no water leaks.

April 2016

MILLI PURE WALL BASIN HOSTESS SYSTEM

INSTALLATION INSTRUCTIONS



Plumbers, please ensure a copy of the installation instructions is left with the end user for future reference

