

Carboni II

Vitreous China Wall Basin

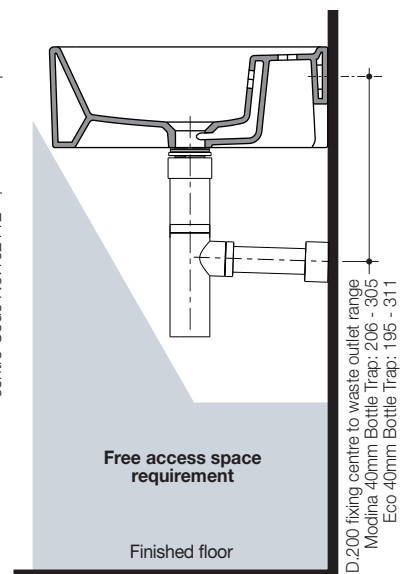
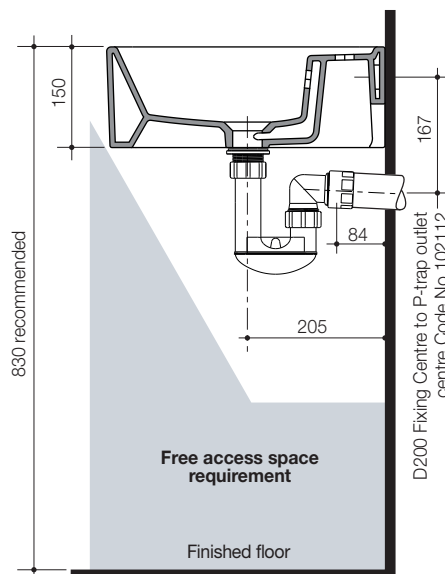
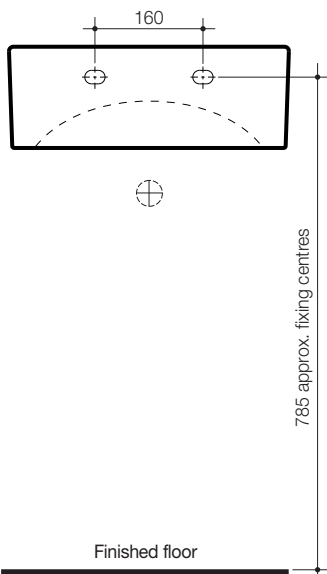
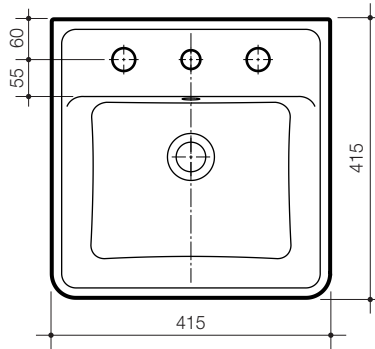
Basin Size: 415mm x 415mm (nominal)



Mixer is shown for photographic purposes only

The **Carboni II** wall basin offers a contemporary square style with distinctive clean lines. This range adds timeless sophistication in any bathroom. The basin is suitable for domestic, commercial and accessible applications & complying to AS 1428.1-2009 Amd. 1.*

- Tap Holes:** Basin available in: 1 tap hole Code No.865715, 3 tap holes Code No.865735.
- Tapware - other than sole occupancy unit:** All electronic and basin care mixers referred to in section 19 comply to AS1428.1-2009 Amd. 1 installations other than sole occupancy unit when matched with this basin.
- Tapware - sole occupancy unit:** Recommended tapware for sole occupancy unit for compliance to AS1428.1-2009 Amd. 1; **Electronic Tapware:** Designo and Designo Solar. See section 19 for further details.
- Waste Outlet:** Chrome flush fitting waste and white plug supplied, suitable for a 40mm trap connection. Alternative waste options are available — Chrome grate waste and white plug Code No.687328C, Vandal Resistant Flush Fitting Plug and Chrome Waste Code No.687141, Covered Plug and Waste Code No.687142 and Vandal Resistant Covered Chrome Plug and Waste Code No.687143.
- Bowl Capacity:** 3 litres to overflow.
- Overflow:** Overflow available only.
- Colours:** White only.



* Reference must be made to the AS 1428.1-2009 Amd. 1 to confirm installation requirements.

All dimensions are in millimetres and are subject to normal manufacturing variations. Caroma pursues a policy of continuing improvement in design and performance of its products. The right is therefore reserved to vary specifications without notice.



Basin Fixing Kit included with basin