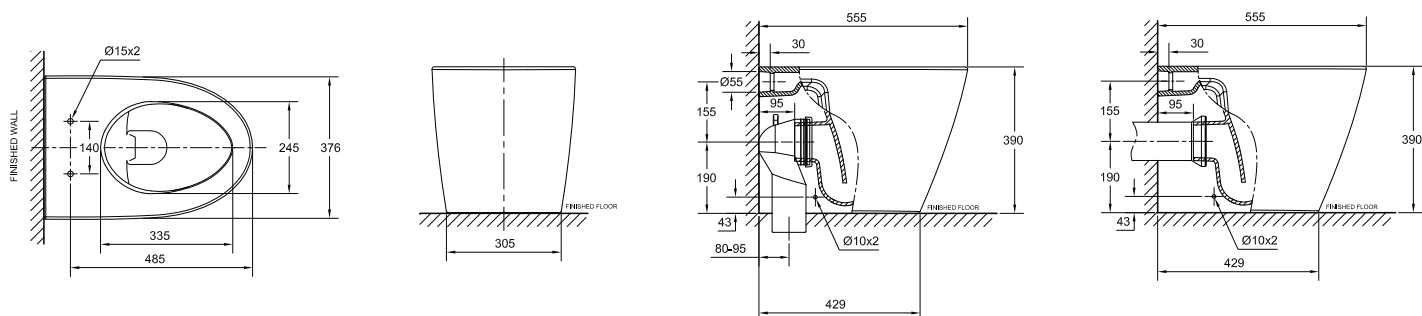


AMERICAN STANDARD

ACACIA E BACK TO WALL PAN



***Dimensions are nominal measurements only.

SPECIFICATIONS

Recommended use	Domestic Hotel & Commercial
Material	Vitreous China
Weight	31kg
Rim configuration	Rimless
Bowl configuration	P Trap (converts to S using plastic s-bend provided)
Set out	P Trap 190 mm. fixed S Trap 80 - 95 mm. (recommend 80 mm.)
Pan fixing	Screwed to floor using brackets provided and Silicone into Place
Cistern requirement	For use with in wall cistern or flush valve (ordered separately)
Seat	Soft Close Quick Release Seat



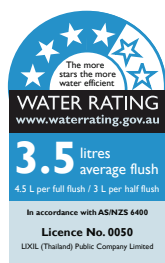
To see the complete AMERICAN STANDARD range go to www.reece.com.au/bathrooms

CLEANING RECOMMENDATIONS

We recommend the use of soapy water or approved cleaners.

This product should not be cleaned with abrasive materials.

Damage caused by any improper treatment is not covered by the product warranty. Refer to Warranty Conditions.



Disclaimer: Products in this specification manual must by regulation be installed by licensed and registered trade people. The manufacturer/distributor reserves the right to vary specifications or delete models from their range without prior notification. Dimensions are nominal measurements only. Dimensions and setouts listed are correct at time of publication however the manufacturer/distributor takes no responsibility for printing errors.

Tech Page Version 1



AMERICAN STANDARD

ACACIA E BACK TO WALL PAN

INSTALLATION INSTRUCTIONS

1

2

3

ROUGHING - IN CONNECTOR (A)	CUTOUT (B)
80-85 mm.	25 mm.
85-90 mm.	30 mm.
90-95 mm.	35 mm.

4 S trap installation

5 P trap installation

6

7

8