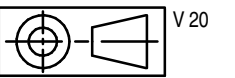


FASCO MOTORS MAY PROVIDE TECHNICAL ASSISTANCE TO OUR CUSTOMERS IN MANY AREAS. HOWEVER, SINCE FASCO MOTOR IS NOT AWARE OF ALL DATA CONCERNING THE USE AND APPLICATION OF THIS MOTOR, THE FITNESS OF THE MOTOR FOR THE APPLICATION MUST BE DETERMINED BY AND IS THE RESPONSIBILITY OF THE CUSTOMER.



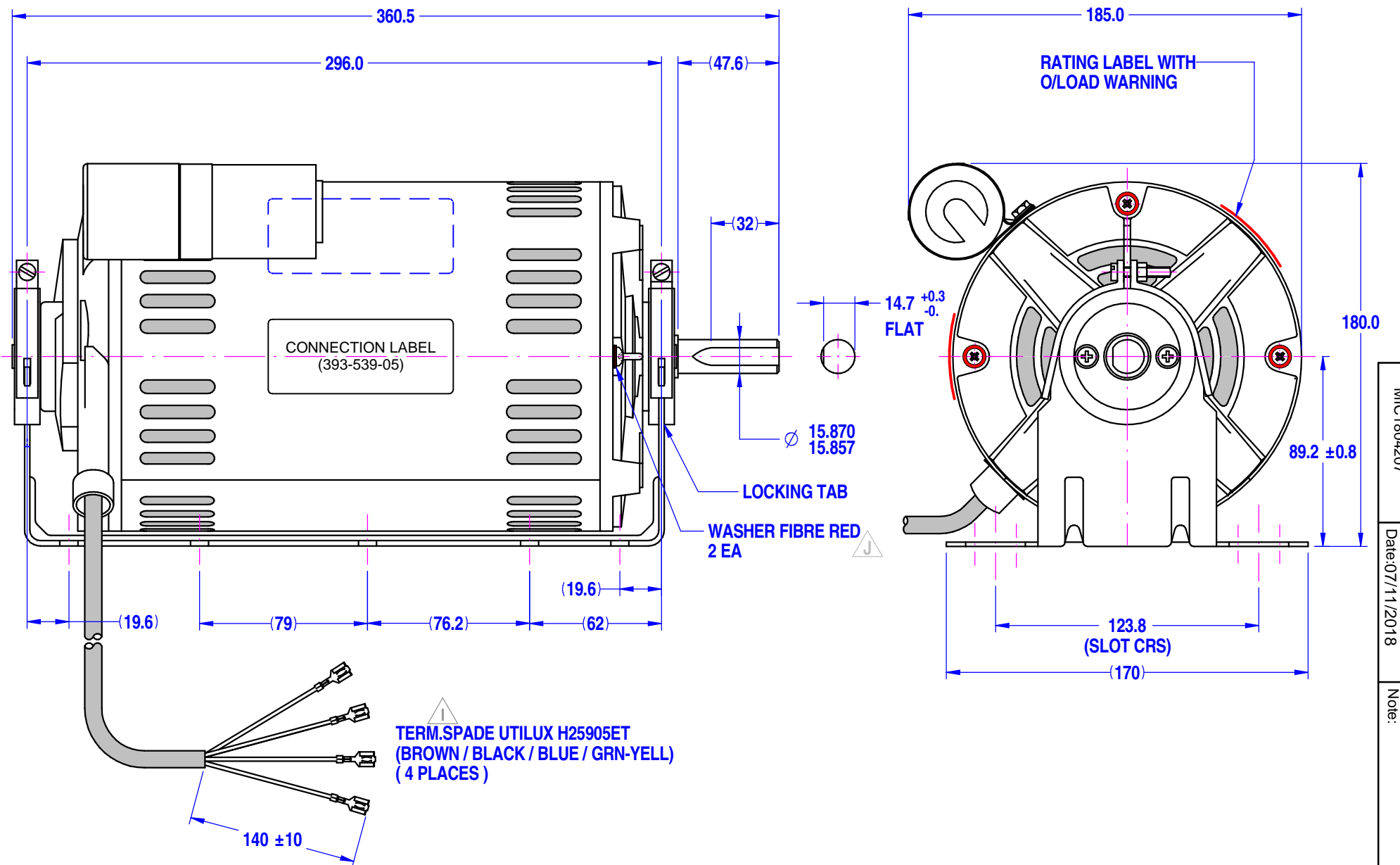
MOTOR SPECIFICATION

809455XVB-B14

Q.R. No.	-	CUSTOMER NO.	BRIVIS					
CUSTOMER	BRIVIS (FASCO AUSTRALIA)							
MOTOR RATING	VOLTS	240	Hz	50	Ph	1	Duty	S1/A.O.M.
	RPM.	1400/940		8.5/6.3		AMPS		
	NOM. OUTPUT	1500/500 WATTS						
ROTATION	CLOCKWISE DRIVE END							
CAPACITOR	START	NIL	μF/V	RUN	45/400	μF/V		
ENCLOSURE	VENTED (IP20)							
MOTOR TYPE	CSR	INSULATION CLASS	B130					
THERMAL PROTECTION	AUTO RESET OVERLOAD							
APPLICATION	EVAPORATIVE COOLER							
BEARING D.E.	6204 ZZ		LUBRICATION	LONG LIFE, WIDE RANGE				
BEARING N.D.E.	6203 ZZ							
SUPPLY LEAD	FLEX 1500±30 GREY							
EARTH PROVISION	VIA SUPPLY LEAD							
BASIC BUILD SPECIFICATION	470-063-01	PAIN/ COLOUR	GREY (RAL-7010)					
PERFORMANCE SPECIFICATION	SP94033-01							
CONNECTION DIAGRAM	305-682-02	RATING LABEL	SSTDAUTO.FMT					

FINAL INSPECTED MOTORS MUST COMPLY WITH ELECTRIC MOTOR VIBRATION SPECIFICATION (ES049)

THIRD ANGLE PROJECTION.



DESIGNED AND MANUFACTURED TO AUSTRALIAN STANDARDS & SPECIFICATIONS

BRIVIS	ddmmyyxxxx
MODEL	809455XVB-B14

VOLTS 240	R.P.M. 1400/940	CLASS B130	Hz 50
WATTS 1500/500	TYPE CSR	μF/V S NIL	Ph 1
AMPS 8.5/6.3	DUTY S1	μF/V R 45/400	PROT. AUTO

WARNING

MOTOR FITTED WITH INTERNAL AUTO RESET OVERLOAD AND MAY RESTART WITHOUT WARNING

SPECIAL REQUIREMENTS:

- 1)_SHAFT & TIERODS TO BE TREATED WITH RUST VETO
- 2)_PROTECT CAPACITOR LEADS WITH GROMMET
- 3)_MOTORS PACKED IN INDIVIDUAL CARTONS
- 4)_FIT FIBRE WASHER AT DRIVE END ONLY

UNLESS OTHERWISE SPECIFIED : DIMENSIONS ARE IN MM. TOLERANCES

DECIMALS	ANGULAR
.X ± 1.0	± 30'
.XX ± 0.1	

THIS DRAWING REMAINS THE PROPERTY OF FASCO MOTORS AND MAY NOT BE USED, COPIED OR ISSUED WITHOUT WRITTEN PERMISSION FROM FASCO MOTORS

MOTOR WEIGHT

20.4 kg.

DRAWN	Veeranut	07/11/2018
CHECKED	Pipat	16/11/2018
RELEASED	Suksakorn	20/11/2018
SCALE	N.T.S.	



29/7-8 MOO 3, BANGKRUAY - SAINOI Rd., BANGKRANG, MUANG NONTABURI DISTRICT, NONTABURI 11000 THAILAND

FRAME

STATUS **R**

SHEET **A3**

MOTOR

B033:9455V-1500-GAD:BRIVS

DWG. NO.

809455XVB-B14

REVISION

K

MIC1804207 By: Veeranut Date:07/11/2018 MIC K: Remove C-tick mark from sale drawing.