

R3G190-RB01-01

# EC centrifugal fan - RadiCal

backward-curved, single-intake



## ebm-papst Mulfingen GmbH & Co. KG

Bachmühle 2 · D-74673 Mulfingen

Phone +49 7938 81-0

Fax +49 7938 81-110

info1@de.ebmpapst.com

www.ebmpapst.com

Limited partnership · Headquarters Mulfingen

Amtsgericht (court of registration) Stuttgart · HRA 590344

General partner Elektrobau Mulfingen GmbH · Headquarters Mulfingen

Amtsgericht (court of registration) Stuttgart · HRB 590142

## Nominal data

Type	R3G190-RB01-01	
Motor	M3G055-BD	
Phase		1~
Nominal voltage	VAC	230
Nominal voltage range	VAC	200 .. 240
Frequency	Hz	50/60
Method of obtaining data		ml
Speed (rpm)	min <sup>-1</sup>	2710
Power consumption	W	57
Current draw	A	0.43
Min. ambient temperature	°C	-25
Max. ambient temperature	°C	60

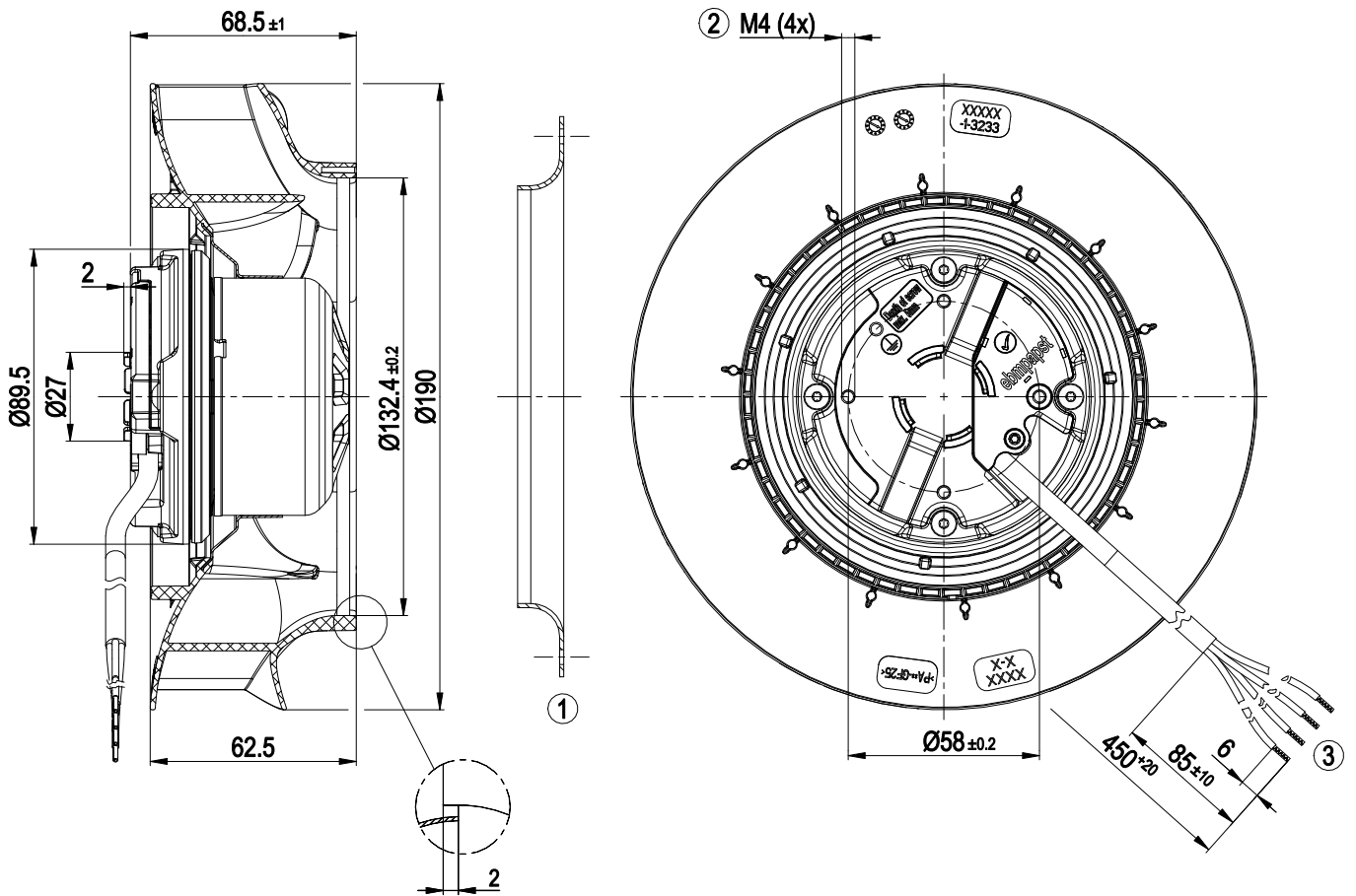
ml = Max. load · me = Max. efficiency · fa = Free air · cs = Customer specification · ce = Customer equipment  
Subject to change



## Technical description

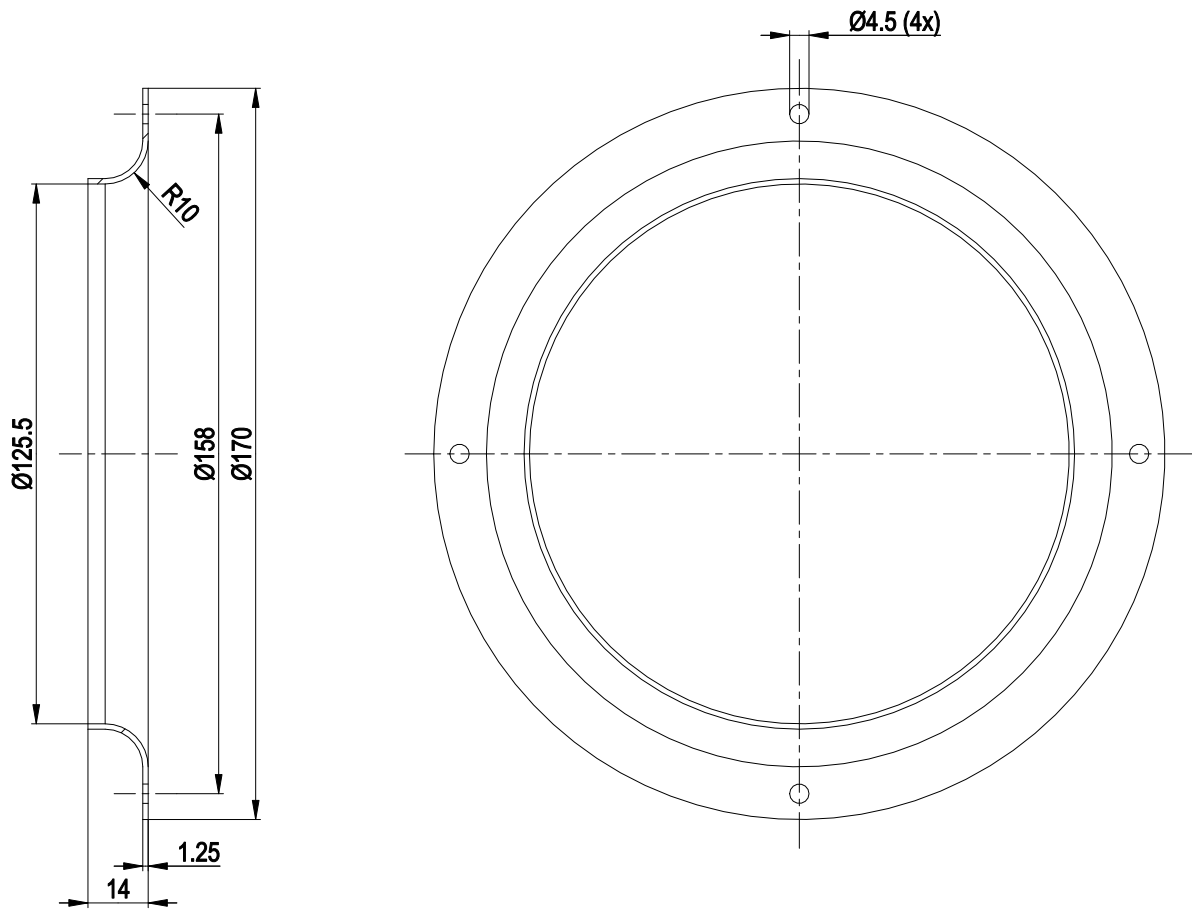
<b>Weight</b>	1 kg
<b>Fan size</b>	190 mm
<b>Rotor surface</b>	Thick-film passivated
<b>Electronics housing material</b>	Die-cast aluminum
<b>Impeller material</b>	PA plastic
<b>Number of blades</b>	7
<b>Direction of rotation</b>	Clockwise, viewed toward rotor
<b>Degree of protection</b>	IP54
<b>Insulation class</b>	"B"
<b>Moisture (F) / Environmental (H) protection class</b>	H1
<b>Max. permitted ambient temp. for motor (transport/storage)</b>	+ 80 °C
<b>Min. permitted ambient temp. for motor (transport/storage)</b>	- 40 °C
<b>Installation position</b>	Any
<b>Condensation drainage holes</b>	None, open rotor
<b>Mode</b>	S1
<b>Motor bearing</b>	Ball bearing
<b>Technical features</b>	<ul style="list-style-type: none"> <li>- Speed setting input (230 V)</li> <li>- Motor current limitation</li> <li>- Soft start</li> <li>- Thermal overload protection for electronics/motor</li> </ul>
<b>Speed levels</b>	2
<b>EMC immunity to interference</b>	According to EN 61000-6-2 (industrial environment)
<b>EMC circuit feedback</b>	According to EN 61000-3-2/3
<b>EMC interference emission</b>	According to EN 61000-6-3 (household environment)
<b>Touch current according to IEC 60990 (measuring circuit Fig. 4, TN system)</b>	<= 3.5 mA
<b>Motor protection</b>	Electronic motor protection
<b>With cable</b>	Variable
<b>Protection class</b>	I (with customer connection of protective earth)
<b>Conformity with standards</b>	EN 60335-1; CE
<b>Approval</b>	EAC; CCC

Product drawing



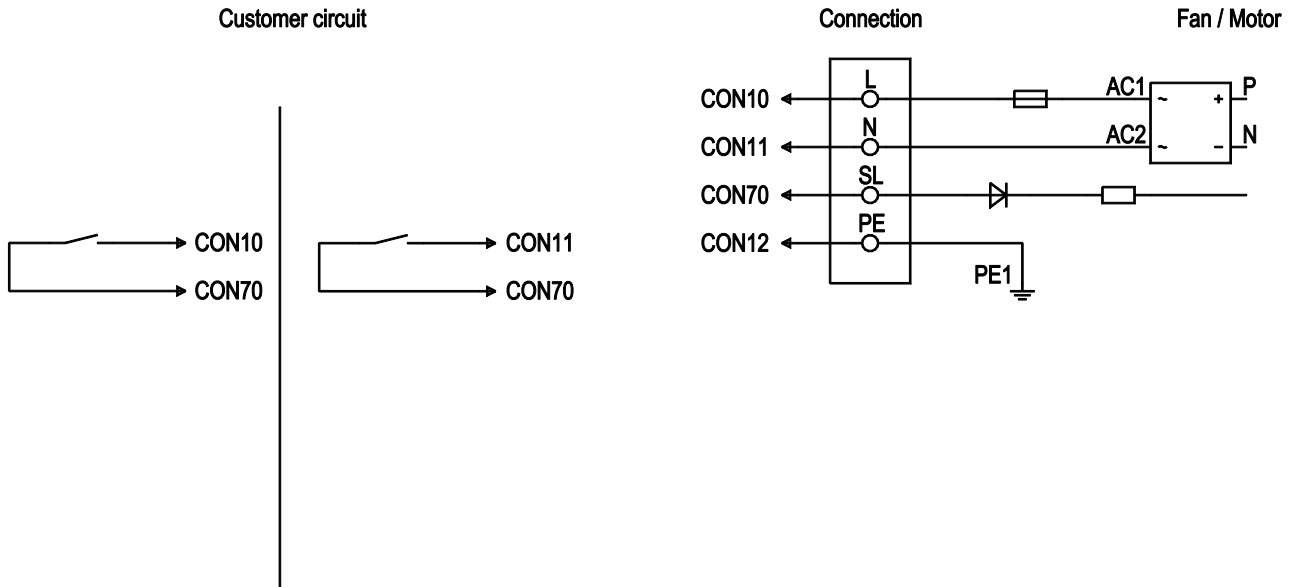
- 1 Accessory part: inlet ring 09576-2-4013 not included in scope of delivery
- 2 Cable PVC AWG20, 4x crimped splices
- 3 Max. clearance for screw 6 mm

## Accessory part



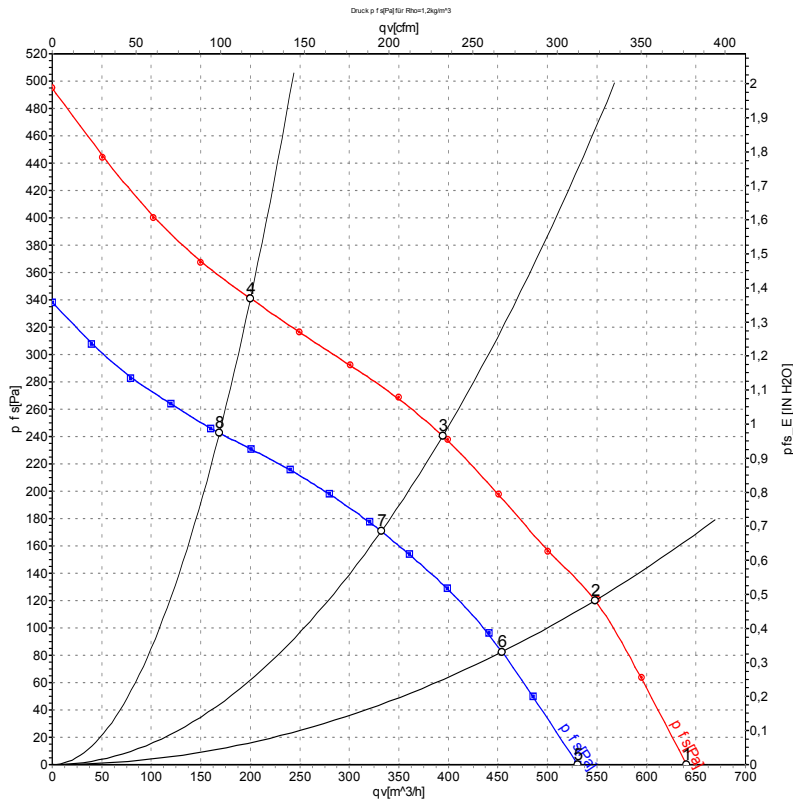
1 Accessory part: inlet ring 09576-2-4013 not included in scope of delivery

## Connection diagram



No.	Conn.	Designation	Color	Function/assignment
	CON 10	L	black	Power supply 230 VAC, 50-60 Hz, see nameplate for voltage range
	CON 11	N	blue	Neutral conductor
	CON 12	PE	green/yellow	Protective earth
	CON 70	SL	brown	Speed selection: switch open speed 1; switch closed speed 2

## Curves: Air performance 50 Hz



Measurement: LU-125487-1  
Measurement: LU-125489-1

Air performance measured according to ISO 5801 installation category A. For detailed information on the measurement setup, contact ebm-papst. Intake sound level: Sound power level according to ISO 13347 / sound pressure level measured at 1 m distance from fan axis. The values given are valid under the specified measuring conditions and may vary due to conditions of installation. For deviations from the standard configuration, the parameters have to be checked on the installed unit.

## Measured values

	U	f	n	P <sub>ed</sub>	I	LpA <sub>in</sub>	LwA <sub>in</sub>	q <sub>v</sub>	P <sub>fs</sub>	q <sub>v</sub>	P <sub>fs</sub>
	V	Hz	min <sup>-1</sup>	W	A	dB(A)	dB(A)	m³/h	Pa	cfm	in. wg
1	230	50	2880	49	0.36	61	69	640	0	375	0.00
2	230	50	2825	52	0.40	56	64	550	120	325	0.48
3	230	50	2710	57	0.43	54	62	395	240	230	0.96
4	230	50	2810	52	0.40	60	68	200	340	120	1.36
5	230	50	2435	30	0.23			530	0	315	0.00
6	230	50	2395	32	0.25			455	83	265	0.33
7	230	50	2325	35	0.27			330	171	195	0.69
8	230	50	2385	32	0.25			170	242	100	0.97

U = Power supply · f = Frequency · n = Speed (rpm) · P<sub>ed</sub> = Power consumption · I = Current draw · LpA<sub>in</sub> = Sound pressure level intake side · LwA<sub>in</sub> = Sound power level intake side  
q<sub>v</sub> = Air flow · P<sub>fs</sub> = Pressure increase

