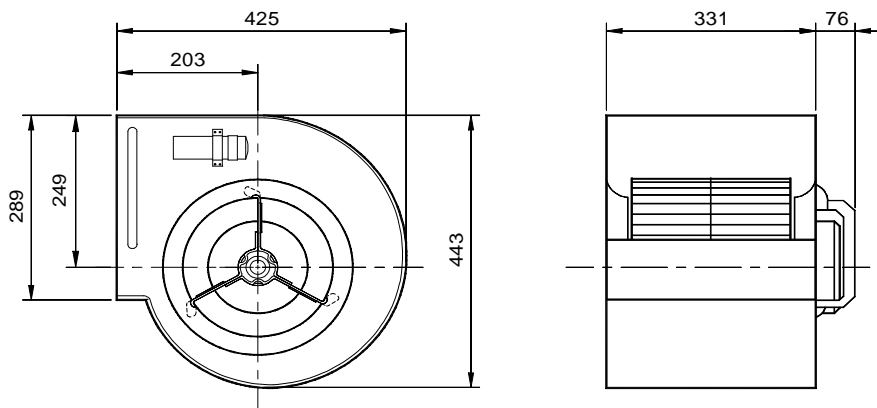


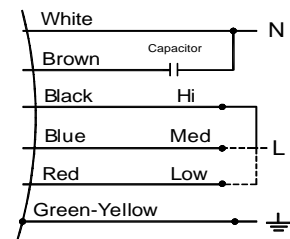
KDD 10/10 550W 4P-1 3SY



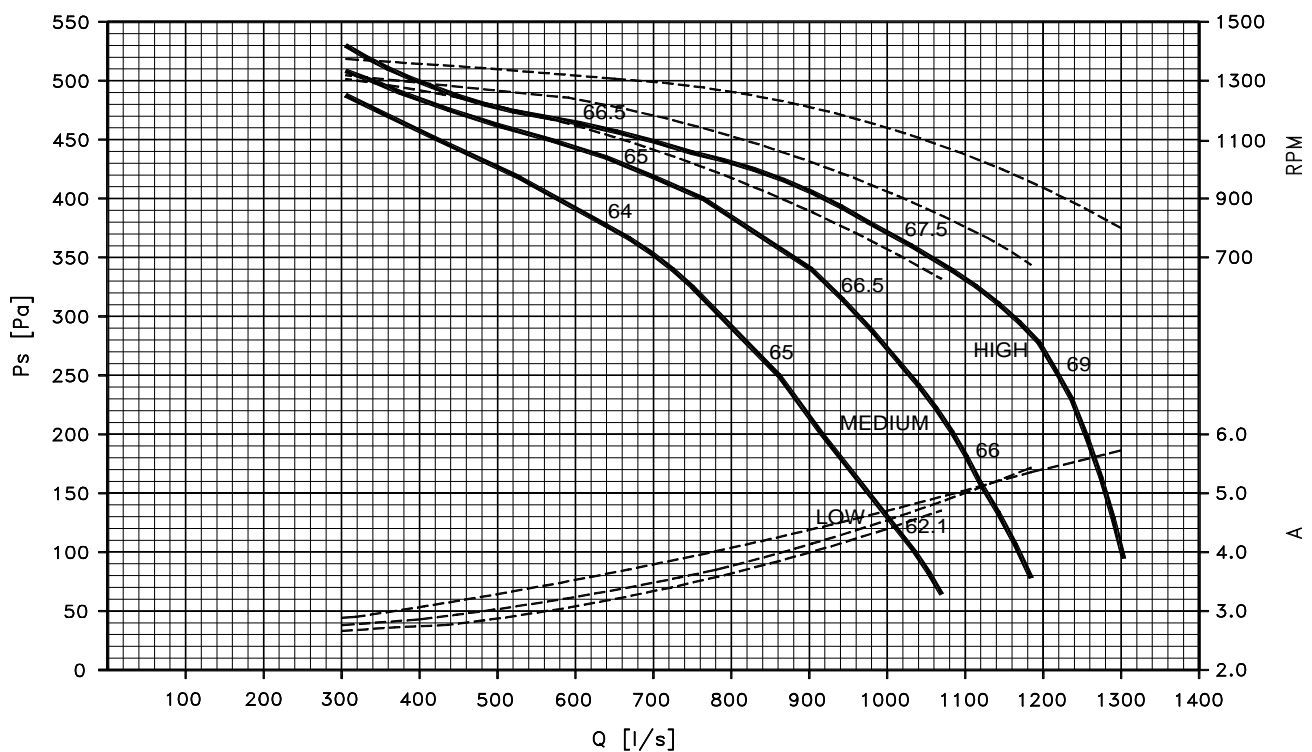
VOLT	220 - 240	Ph	1	SL.	KDD10005.1		
WATT	550	Hz	50	Part no.	CE-AD0G753.01		
RPM	1300/1250/1150	Cl.	F	uF/V	16/450	Date	15/5/01
POLE	4	Temp.	min - 20°C	N. Amp	4.0	Weight	20 kg
IP	21		max +40°C	M. Amp	5.6		



Wiring diagram



All Dimension in mm



* Sound $L_p(A)$ at 1 m.