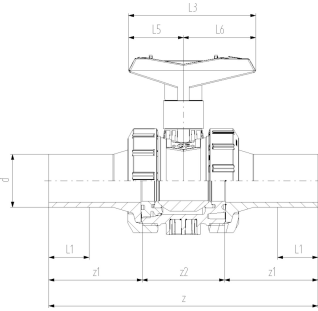




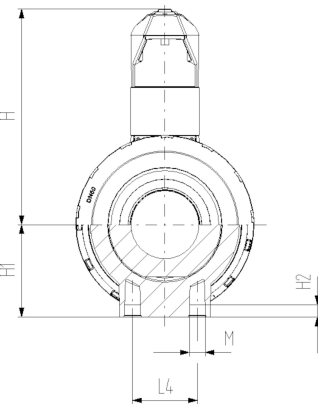
## COOL-FIT 4.0 Ball valve type 546, hand-operated

### Model:

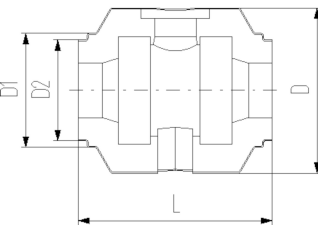
- Material: ABS with spigot PE100 SDR11, metric
- Ball seals PTFE
- Integrated stainless steel mounting inserts
- Including insulation half shells
- Separate Fittings type A needed for joining



d (mm)	DN (mm)	PN	Cv-value (l/min)	EPDM Part No.	weight (kg)
32	25	10	700	<b>138 546 108</b>	0.542
40	32	10	1000	<b>138 546 109</b>	0.887
50	40	10	1600	<b>138 546 110</b>	1.165
63	50	10	3100	<b>138 546 111</b>	2.100
75	65	10	5000	<b>138 546 112</b>	5.125
90	80	10	7000	<b>138 546 113</b>	7.173



d (mm)	DN (mm)	D (mm)	D1 (mm)	D2 (mm)	L (mm)	L1 (mm)	L3 (mm)	H (mm)	H1 (mm)	H2 (mm)	z (mm)	z1 (mm)	z2 (mm)	closest inch (inch)
32	25	135	97	82	152	36	97	98	36	12	223	76	76	1
40	32	157	117	97	170	40	128	119	44	15	249	82	82	1 ¼
50	40	169	117	97	184	44	128	125	51	15	271	91	91	1 ½
63	50	204	132	117	227	48	152	150	64	15	321	110	110	2
75	65	235	147	132	276	55	270	194	85	15	386	125	125	2 ½
90	80	255	168	147	297	62	270	200	105	15	421	140	140	3



The technical data are not binding. They neither constitute expressly warranted characteristics nor guaranteed properties nor a guaranteed durability. They are subject to modification. Our General Terms of Sale apply.

Georg Fischer Piping Systems Ltd, Postfach, CH-8201 Schaffhausen/Switzerland

Phone +41 -(0)52-631 1111

e-mail: [info.ps@georgfischer.com](mailto:info.ps@georgfischer.com)

Internet: <http://www.gfps.com>