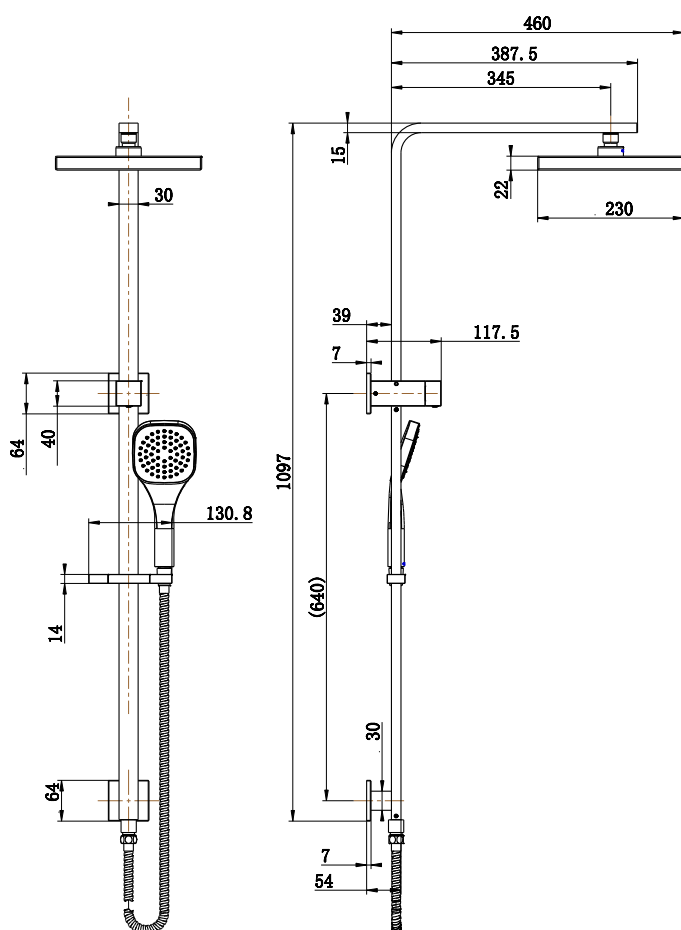


MIZU

BLOC TWIN WATER RAIL

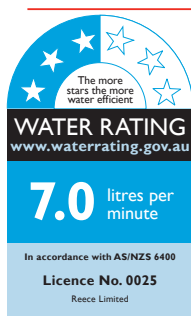


Dimensions are nominal measurements only.

To see the complete MIZU range go to www.reece.com.au/bathrooms

SPECIFICATIONS

Recommended use	Domestic, hotel and commercial
Colour availability	Chrome
Shower Head Size	230mm
Shower Head Material	ABS
Pressure rating	<p>Maximum continuous operating pressure 1000kPa.</p> <p>As per AS/NZS3500 pressure must be limited to 500kPa on any new home, extension or renovation.</p> <p>For best performance and longer life we recommend 150-500kPa.</p> <p>Hot and cold water inlet pressure should be equal.</p>
Temperature rating	Maximum continuous working temperature 80° C
Suitable Hot Water Units	As per AS3662, please note that high pressure showers may not be suitable for use with gravity-fed water heaters, low pressure supply networks and instantaneous water heaters.



Disclaimer: Products in this specification manual must by regulation be installed by licensed and registered trade people. The manufacturer/distributor reserves the right to vary specifications or delete models from their range without prior notification. Dimensions are nominal measurements only. Dimensions and set-outs listed are correct at time of publication however the manufacturer/distributor takes no responsibility for printing errors.

Tech Page Version 1

m i z u

reece

MIZU

BLOC TWIN WATER RAIL

CLEANING RECOMMENDATIONS

We recommend the use of soapy water or approved cleaners.

This product should not be cleaned with abrasive materials.

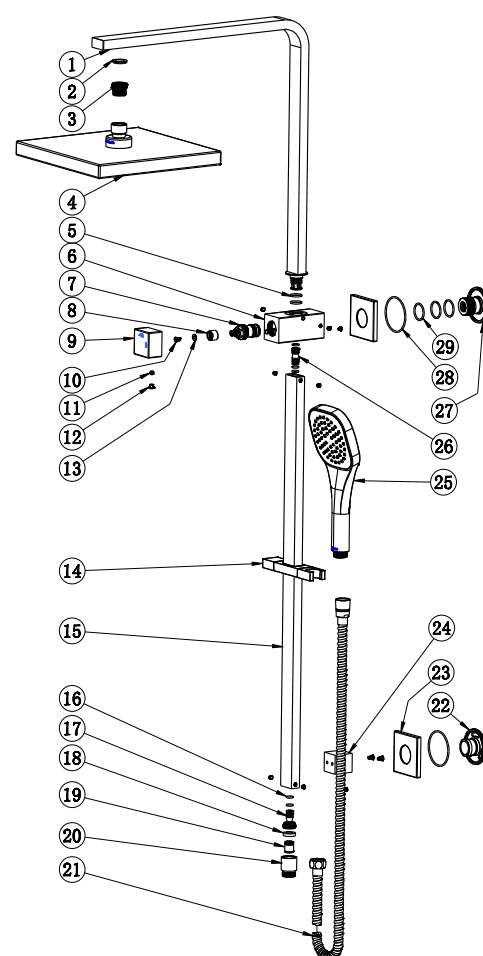
Damage caused by any improper treatment is not covered by the product warranty- refer to Warranty Conditions.

INSTALLATION INSTRUCTIONS

Important Note

Product must be installed to the requirements of AS/NZS 3500 by a qualified plumber. Your mixer comes to you already factory assembled and tested. We do not recommend the dismantling of any internal part of the mixer. The mixers are factory tested and sealed so as to give the best performance.

1. Screw female water inlet connection (27) to pre-installed male-threaded water supply
2. Place cover plate (23) over water inlet connection (27) and push diverter body (6) securely in place over o-ring seals (29)
3. Fasten set screws in diverter body (6) to ensure secure connection
4. Mark the height of required drill holes for mounting bottom rail fixing (22)
5. *FOR SOLID WALL APPLICATIONS ONLY*, drill out pre-marked fixing hole and insert expansion plug
6. Drill fixing plate (22) securely to wall
7. Place cover plate (23) over fixing plate (22) and push lower rail wall bracket (24) securely in place
8. Fasten set screws in wall bracket (24) to ensure secure connection
9. Fit overhead rail piece (1) to diverter body (6) using double o-ring connections and set screw
10. Connect flexible hose(21), hand shower (25) and overhead shower (4) to complete the installation
11. Open mixer to check for leaks



Plumbers, please ensure a copy of the installation instructions is left with the end user for future reference

m i z u

reece