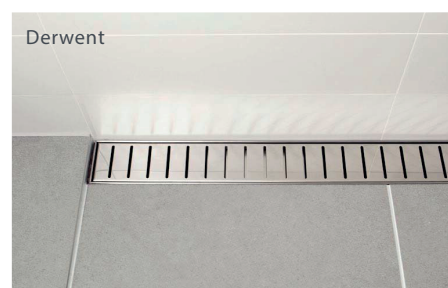
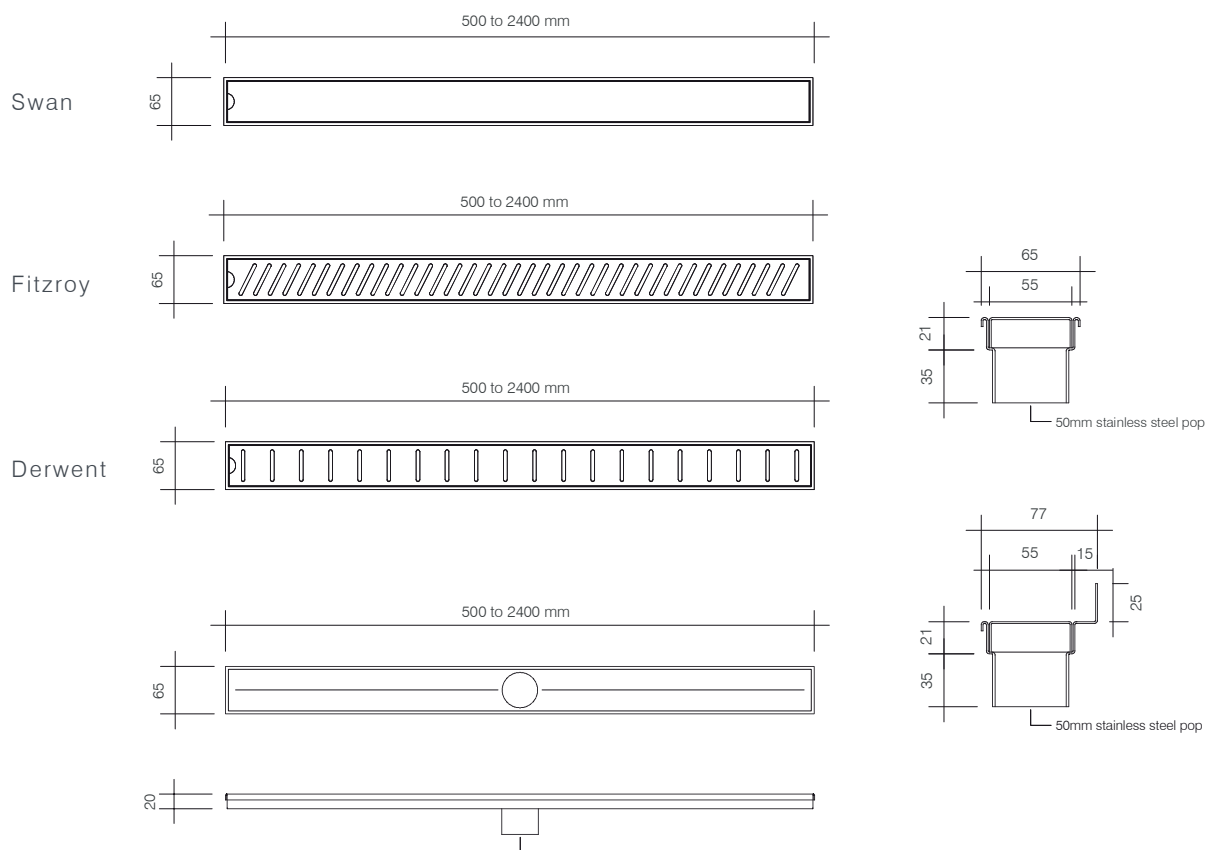


# VEITCH

## SHOWER CHANNELS 65MM



### SPECIFICATIONS

<b>Recommended use</b>	Domestic, hotel and commercial
<b>Material</b>	Stainless steel
<b>Colour availability</b>	Satin or Chrome
<b>Length</b>	Up to 2400mm
<b>Waste</b>	50mm
<b>Features</b>	Finger hole to enable removal for easy cleaning Range of styles to compliment all bathroom situations 50mm outlet can be moved anywhere along the length of the channel to align with existing plumbing

To see the complete Veitch range go to [www.reece.com.au/bathrooms](http://www.reece.com.au/bathrooms)

### CLEANING RECOMMENDATIONS

We recommend the use of soapy water or approved cleaners.

This product should not be cleaned with abrasive materials.

Damage caused by any improper treatment is not covered by the product warranty - refer to Warranty Conditions on the last page.

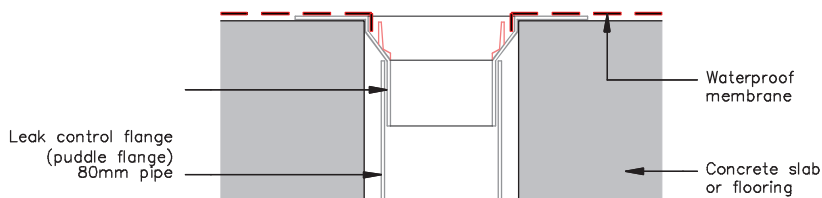
**Disclaimer:** Products in this specification manual must by regulation be installed by licensed and registered trade people. The manufacturer/distributor reserves the right to vary specifications or delete models from their range without prior notification. Dimensions and set-outs listed are correct at time of publication however the manufacturer/distributor takes no responsibility for printing errors.

Tech Page Version 1

# VEITCH SHOWER CHANNELS 65MM

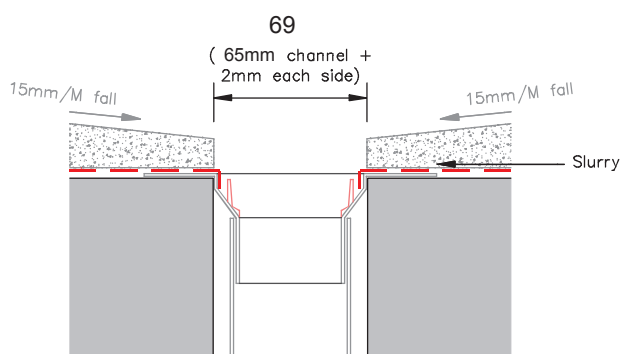
## Step 1

The base of the shower should be prepared with a set down allowing for the height of the channel and a fall of 15mm per metre toward the channel. The leak control flange should be placed in position and the water proof membrane applied.



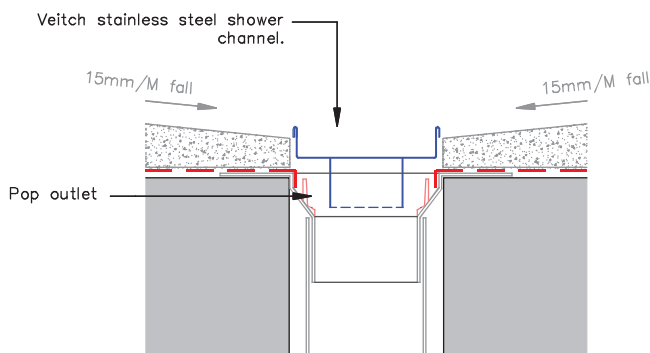
## Step 2

A slurry is laid with a fall of 15mm per metre towards the channel, leaving a space 69mm wide for the length and depth of the channel.



## Step 3

The channel is put into place with the waste outlet located in the Leak control flange. The height of the channel should be adjusted to be a "tile thickness plus adhesive" above the slurry.



## Step 4

Tile up to the folded edge of the channel allowing a 2mm gap which is filled with silicone sealant. Place the Grate in the channel.

