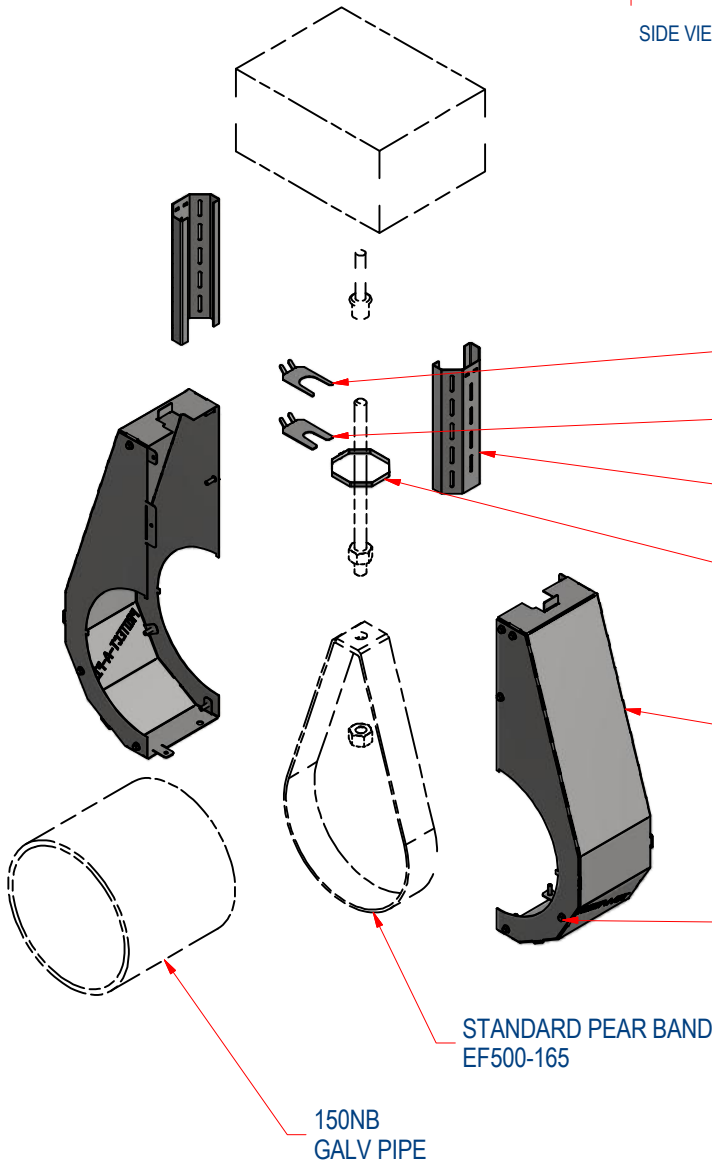
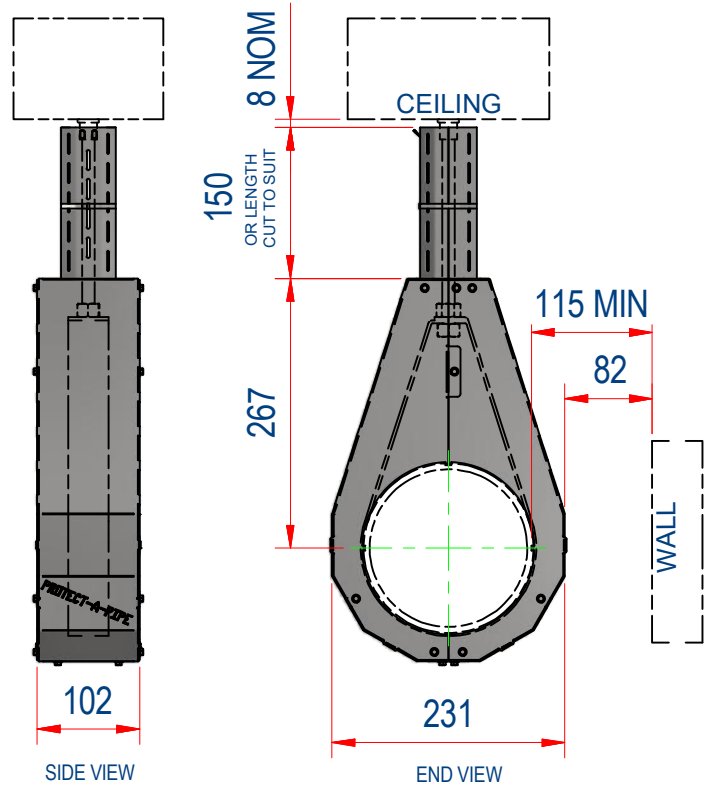


SPECIFICATION - 150NB PEAR
BAND MOULD_150HT



COMPLETE ASSY NUMBER
PRODUCT CODE 506830



COMPLETE ASSY

- PN: VC20
1 OFF
- PN: ARC12
1 OFF
- PN: 150HT
2 OFF
ALWAYS SUPPLIED
PRE FOLDED
- SS CABLE TIE
1 OFF
- PN: P150FE
2 OFF
SUPPLIED AS FLAT PAK
OR PRE ASSEMBLED
(REFER TO OPTION ON
ORDER SHEET)
- SS SCREWS
20 OFF
SUPPLIED WITH FLAT PAK

NOTE:
"CAFCO 300" REQD