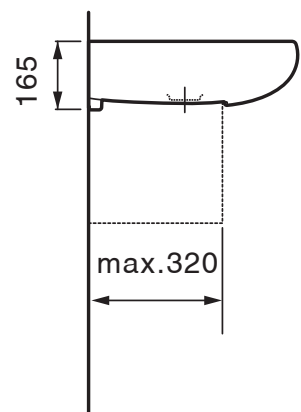
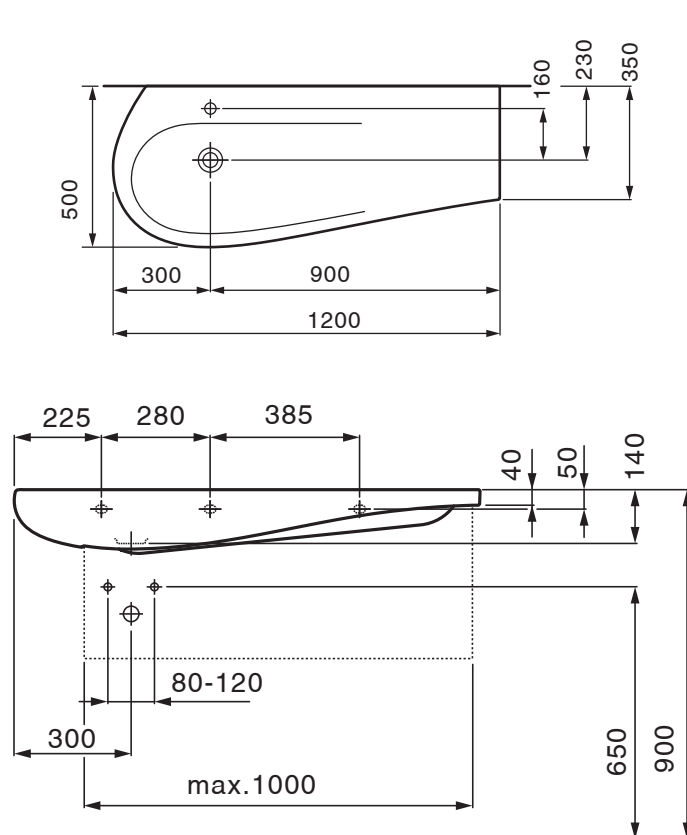


LAUFEN

ILBAGNOALESSI ONE WALL BASIN 1200MM



Dimensions are nominal measurements only.
Dimensions shown in millimetres.

SPECIFICATIONS

Recommended use	Domestic, Hotel and Commercial
Material	Vitreous China
Colour	White
Finish	LAUFEN Clean Coat
Capacity	5.3 Litres
Weight	28kg
Fixing	Bolted to wall using Fixing Bolts supplied
Taphole availability	0 or 1 taphole
Overflow	No
Plug and Waste	Suits 32 x 40mm non overflow waste
Basin Configuration	Left Hand Bowl



To see the complete LAUFEN range go to
www.reece.com.au/bathrooms

CLEANING RECOMMENDATIONS

We recommend the use of soapy water or approved cleaners.

This product should not be cleaned with abrasive materials.

Damage caused by any improper treatment is not covered by the product warranty. Refer to Warranty Conditions.

Disclaimer: Products in this specification manual must by regulation be installed by licensed and registered trade people. The manufacturer/distributor reserves the right to vary specifications or delete models from their range without prior notification. Dimensions are nominal measurements only. Dimensions and set-outs listed are correct at time of publication however the manufacturer/distributor takes no responsibility for printing errors.

Tech Page Version 1

LAUFEN
Bathroom Culture since 1892 www.laufen.com

reece

LAUFEN

ILBAGNOALESSI One WALL BASIN 1200MM

Note:

If fixing to timber framed walls or partitioning, the wall should be reinforced with noggins to receive the fixing bolts.

Generic Basin Installation

