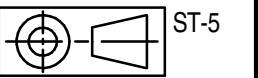


FASCO MOTORS MAY PROVIDE TECHNICAL ASSISTANCE TO OUR CUSTOMERS IN MANY AREAS. HOWEVER, SINCE FASCO MOTOR IS NOT AWARE OF ALL DATA CONCERNING THE USE AND APPLICATION OF THIS MOTOR, THE FITNESS OF THE MOTOR FOR THE APPLICATION MUST BE DETERMINED BY AND IS THE RESPONSIBILITY OF THE CUSTOMER.



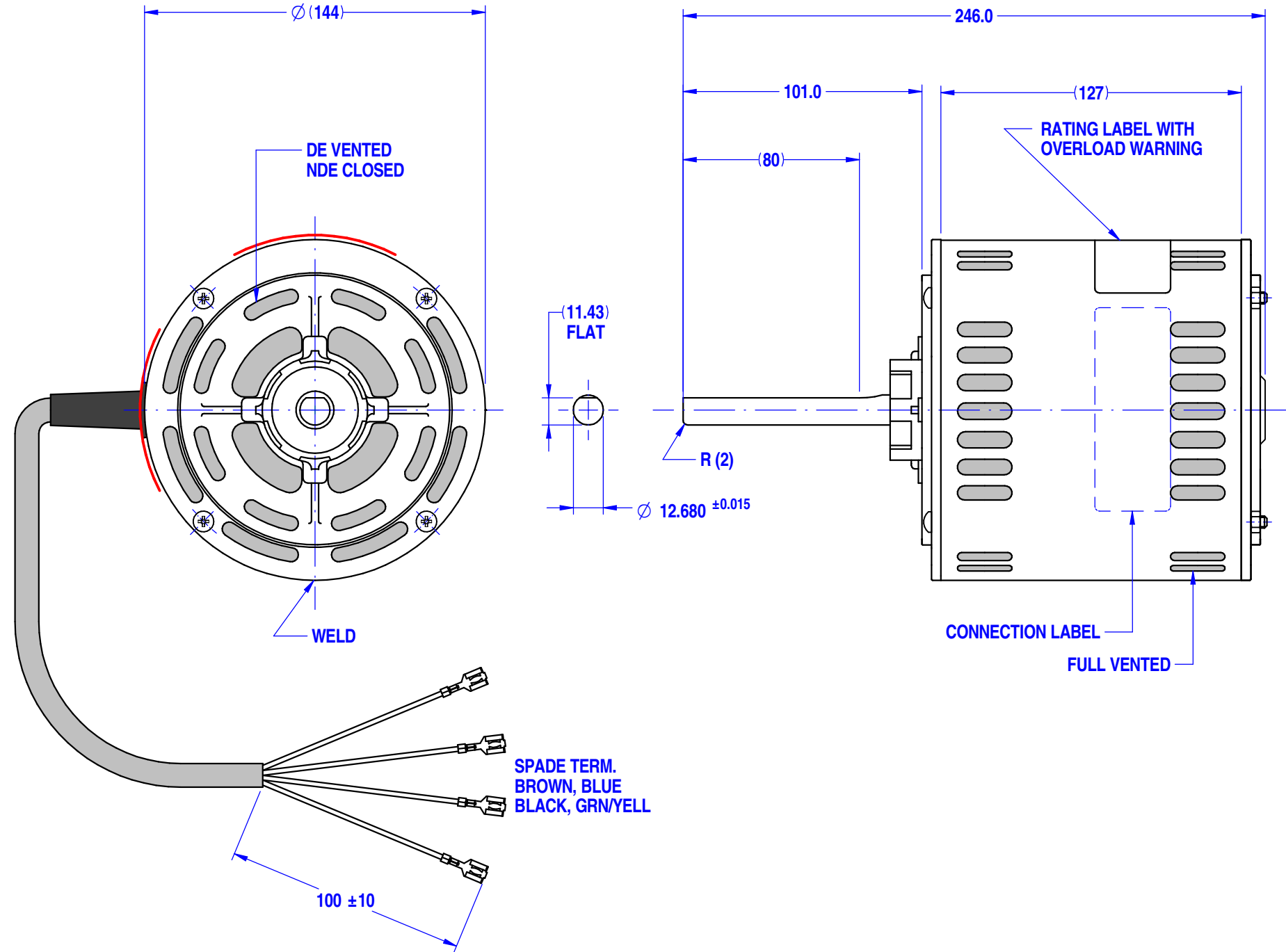
MOTOR SPECIFICATION

FINAL INSPECTED MOTORS MUST COMPLY WITH ELECTRIC MOTOR VIBRATION SPECIFICATION (ES049)

THIRD ANGLE PROJECTION.

80855BPVA-A11S

Q.R. No.	Y000984	CUSTOMER NO.	6051655S					
CUSTOMER	VARIOUS							
MOTOR RATING	VOLTS	240	Hz	50	Ph	1	Duty	S1 AOM
	MAX. INPUT	1270		4.2		AMPS		
	NOM. OUTPUT	600 WATTS						
ROTATION	CLOCKWISE AT DRIVE END							
CAPACITOR	START	-----	μF/V	RUN	20/400	μF/V		
ENCLOSURE	VENTED							
MOTOR TYPE	CSR	INSULATION CLASS	B130					
THERMAL PROTECTION	AUTO RESET OVERLOAD							
APPLICATION	FAN - SHAFT HORIZONTAL							
BEARING D.E.	6202 DDU	LUBRICATION	LONG LIFE, WIDE RANGE					
BEARING N.D.E.	6202 DDU							
SUPPLY LEAD	FLEX 850 ± 30 GREY							
EARTH PROVISION	VIA SUPPLIED LEAD							
BASIC BUILD SPECIFICATION	305-570-21	PAINT/ COLOUR	PC GREY CASE PLAIN E/SHIELDS					
PERFORMANCE SPECIFICATION	SP85190-01							
CONNECTION DIAGRAM	393-402-06	RATING LABEL	SSTDAUTO.FMT					



DESIGNED AND MANUFACTURED TO AUSTRALIAN STANDARDS & SPECIFICATIONS

6051655S	ddmmyyxxxx
MODEL	80855BPVA-A11S

VOLTS	240	R.P.M.	1270	CLASS	B130	Hz	50
WATTS	600	TYPE	CSR	μF/V S	NIL	Ph	1
AMPS	4.2	DUTY	S1 AOM	μF/V R	20/400	PROT.	AUTO

WARNING

MOTOR FITTED WITH INTERNAL AUTO RESET OVERLOAD AND MAY RESTART WITHOUT WARNING

SPECIAL REQUIREMENTS:

- 1)_CAPACITOR SUPPLIED BY CUSTOMER.
- 2)_MOTOR MUST BE LOAD TESTED.
- 3)_MOTOR TO BE PACKED IN SINGLE CARTON.

UNLESS OTHERWISE SPECIFIED : DIMENSIONS ARE IN MM. TOLERANCES

DECIMALS	ANGULAR
.X ± 1.0	± 30'
.XX ± 0.1	

THIS DRAWING REMAINS THE PROPERTY OF FASCO MOTORS AND MAY NOT BE USED, COPIED OR ISSUED WITHOUT WRITTEN PERMISSION FROM FASCO MOTORS

MOTOR WEIGHT	8.3 kg.	
DRAWN	Nutapong	15/02/2001
CHECKED	Pipat	09/11/2018
RELEASED	Suksakorn	09/11/2018
SCALE	N.T.S.	



29/7-8 MOO 3, BANGKRUAY - SAINOI Rd., BANGKRANG, MUANG NONTABURI DISTRICT, NONTABURI 11000 THAILAND

FRAME	MOTOR	
STATUS	R	
SHEET	A3	
DWG. NO.	80855BPVA-A11S	
REVISION	H	

MIC1804207 By: Veeranut Date:08/11/2018 MIC H: REMOVE C-TICK FROM LABEL