

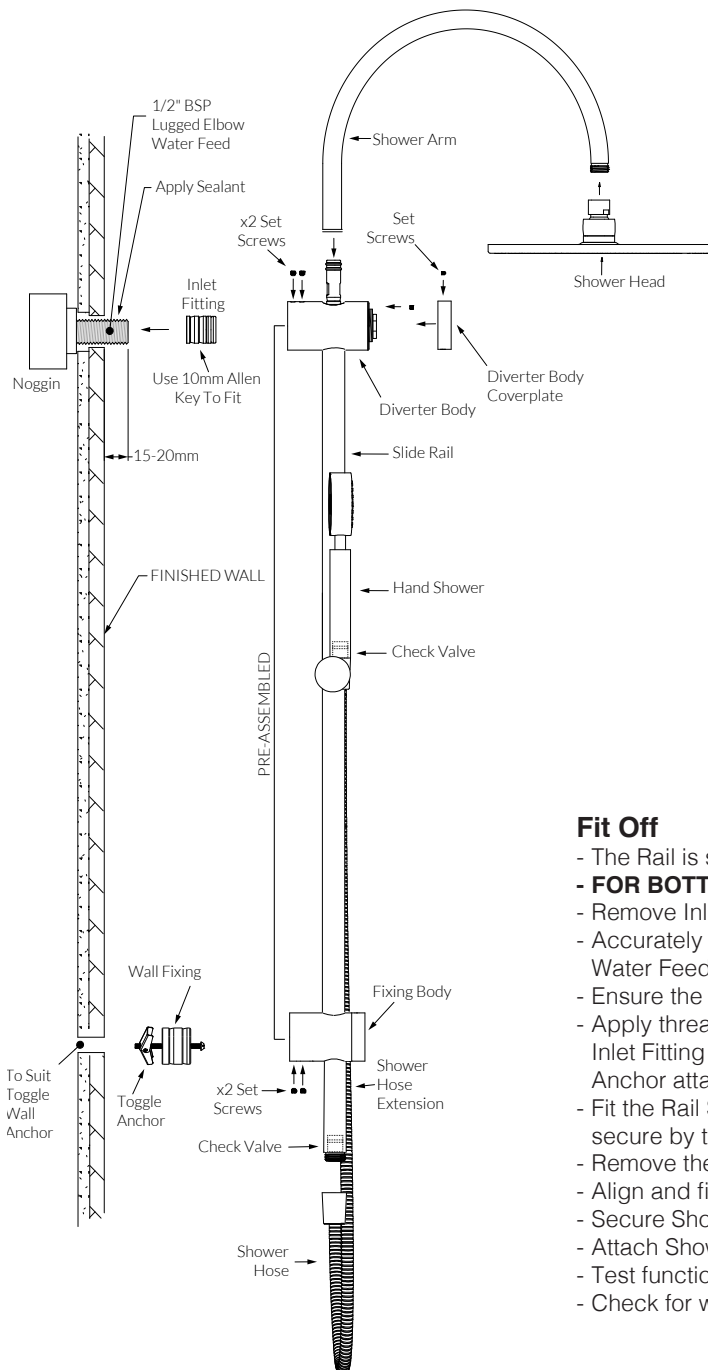


# Milli Pure Twin Rail Shower (top inlet)

## INSTALLATION GUIDE

Tapware is to be installed by a Licenced Plumber in accordance with AS/NZS 3500:2003

Recommended working water pressure 300-500kpa.  
Maximum water temperature is 65 deg.C.



**Spring Toggle Wall Anchor**

- For fixing into hollow wall materials such as plasterboard, hardboard, plywood, cement sheeting, hollow block, etc.
- Applications: Towel rails, shelving, cupboards, wall lights, etc.
- MUST HAVE A CLEAR AIR SPACE BEHIND THE MATERIAL BEING FASTENED TO.

**INSTALLATION INSTRUCTIONS**

1. Drill a 14mm diameter hole through the material to which the Spring Toggle is being fastened to.
2. Pass the screw through the fixture into toggle for a few turns. Compress the toggle wings and insert the anchor into the hole. The wings will spread behind the cavity wall.
3. Pull back on the fixture to hold the toggle in place against the reverse side of cavity wall and tighten screw with a screwdriver, pulling the wings of the anchor firm against the cavity wall.

RECOMMENDED MAX LOAD 10KG IN 10MM PLASTERBOARD.

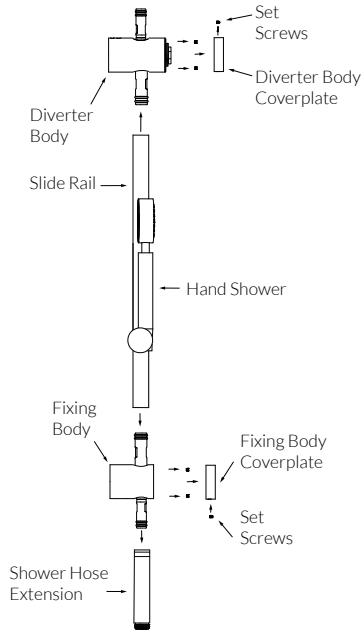
### Fit Off

- The Rail is supplied part preassembled to suit a Top Water Inlet installation.
- **FOR BOTTOM WATER INLET INSTALLATION SEE PAGE 2.**
- Remove Inlet Fitting and Wall Fixing by loosening the Set Screws.
- Accurately mark out and drill for the Wall Fixing 900mm from centre of Water Feed (see Spring Toggle Wall Anchor guide).
- Ensure the wall penetration is sealed prior to connecting any fittings.
- Apply thread tape or appropriate sealant to Water Feed Thread and attach Inlet Fitting using 10mm Allen key.- Using the provided Spring Toggle Anchor attach the Wall Fixing.
- Fit the Rail Shower as assembled onto the Wall Fixing and Inlet Fixing, secure by tightening the Set Screws.
- Remove the Diverter Body Cover Plate by loosening top Set Screw.
- Align and fit the Shower Arm.
- Secure Shower Arm by tightening Set Screws.
- Attach Shower Head.
- Test function and water flow on both Shower Head and Hand Shower.
- Check for water leaks.

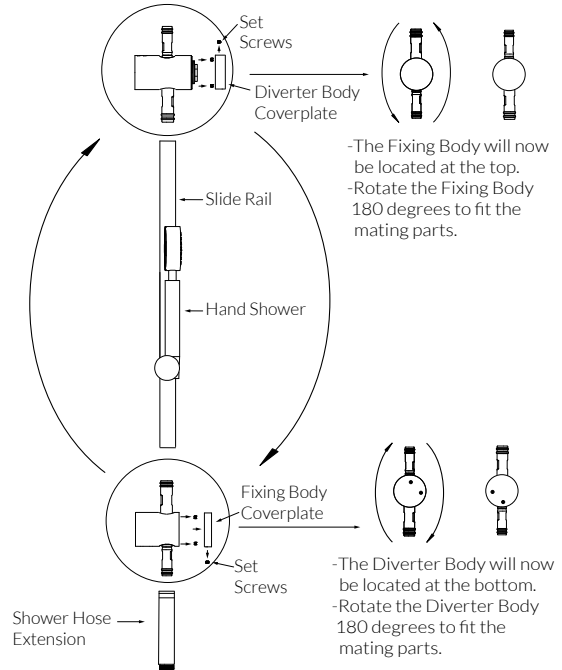
Plumbers, please ensure a copy of the Installation Instructions are left with the end user for future reference

### Milli Pure Twin Rail Shower (bottom inlet)

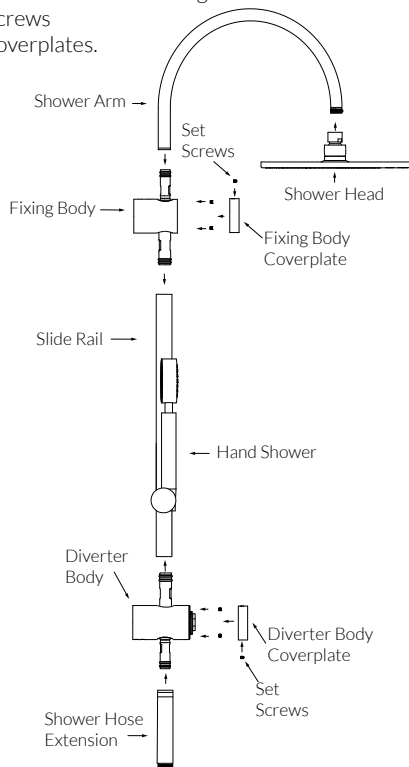
1. - Remove Diverter and Fixing Body coverplates by loosening Set Screws.  
- Loosen Set Screws and detach Diverter Body and Fixing Body from slide rail.



2. - Swap the Diverter Body and Fixing Body positions.  
- Diverter body will now be located at the bottom.  
- Fixing body will now be located at the top.



3. - Re-attach the Fixing Body and the Diverter Body to Slide rail. Tighten Set Screws.  
- Re-attach Shower Hose Extension. Tighten Set Screws.  
- Attach Shower Arm and Head. Align Shower Arm and Tighten Set Screws  
- Re-attach Coverplates.



4. - Proceed with installation fit off (see page 1)

