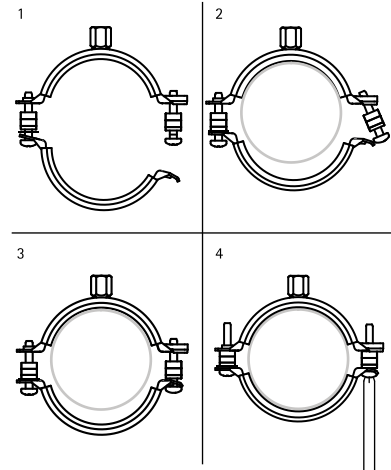
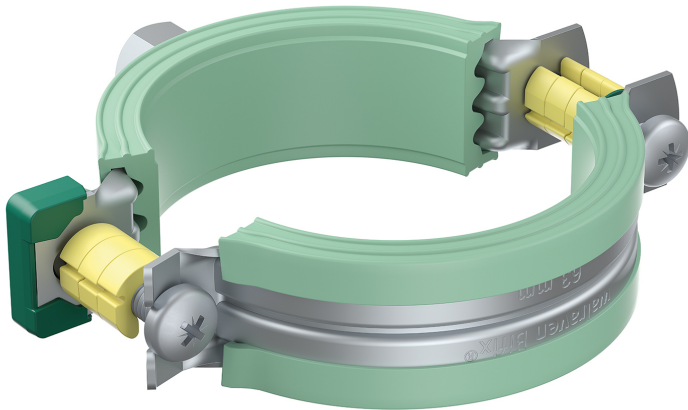


Bifix® 5000 G2 (BUP1000)

for plastic pipes 16 - 200 mm

M8/10

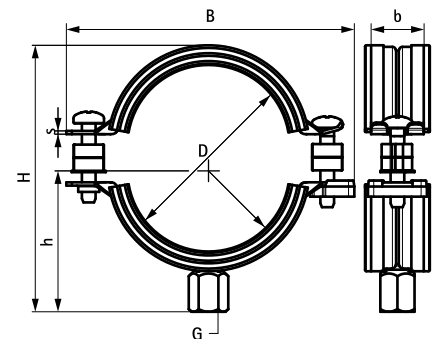
(A 25 09)



Features and Benefits

- two-screw clamp
- with quick locking system
- with removable spacer washers, making the clamp suitable for either sliding or anchoring
- material: steel
- surface protection:
 - product is part of the BIS UltraProtect® 1000 system
 - suitable for in- and outdoor applications
- surface protection:
 - stands min. 1,000 hours salt spray test (max. 5% red rust) according to ISO 9227
- noise insulating lining, EPDM rubber, green
- lining: very suitable for applications with plastic pipes
- inner part of lining is flush to improve sliding of pipe in clamp
- age resistant lining
- sound insulating lining according DIN 4109

Part No.	D (mm)	G	B (mm)	H (mm)	h (mm)	b x s (mm)	F _{a,z} (N)	Pack 1
3188016	16	M8/10	63	50	31	20 x 1.25	600	50
3188020	20	M8/10	68	54	33	20 x 1.25	600	50
3188025	25	M8/10	74	59	36	20 x 1.25	600	50
3188032	32	M8/10	80	61	39	20 x 1.25	600	50
3188040	40	M8/10	91	73	45	20 x 1.25	600	50
3188050	50	M8/10	97	84	48	20 x 1.25	600	50
3188056	56	M8/10	104	90	51	20 x 1.25	600	50
3188058	58	M8/10	109	91	54	20 x 1.25	600	50
3188063	63	M8/10	109	99	54	20 x 1.25	600	50
3188075	75	M8/10	125	109	62	20 x 1.50	600	50
3188078	78	M8/10	132	111	65	20 x 1.50	600	25
3188090	90	M8/10	142	128	70	23 x 2.00	1,400	25
3188110	110	M8/10	164	144	81	23 x 2.00	1,400	25
3188125	125	M8/10	181	159	89	23 x 2.00	1,400	25
3188135	135	M8/10	189	169	94	23 x 2.00	1,400	25
3188160	160	M8/10	225	196	111	25 x 2.50	1,700	10
3188200	200	M8/10	269	237	125	25 x 2.50	1,700	10



Complementary
 BIS RapidRail® Fixing System
 BIS Pipe Reinforcement

Alternative
 BISMAT® 5000